



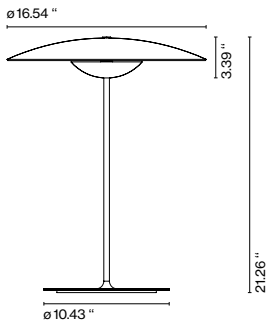
LED-Ginger

Joan Gaspar

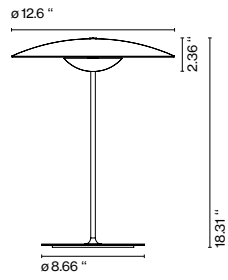
marset



LED-Ginger M



LED-Ginger S



LED-Ginger M

LED SMD 15.4W 700mA
2700K 2130lm
(included)

LED-Ginger S

LED SMD 7.8W 700mA
2700K 1066lm
(included)

- Oak
- Wenge

120 V - 60 Hz

Diffuser and pressed wood base of 0.16" in natural oak or wenge. Injected aluminum dissipater and lacquered black matte metal stem.



Dry locations only

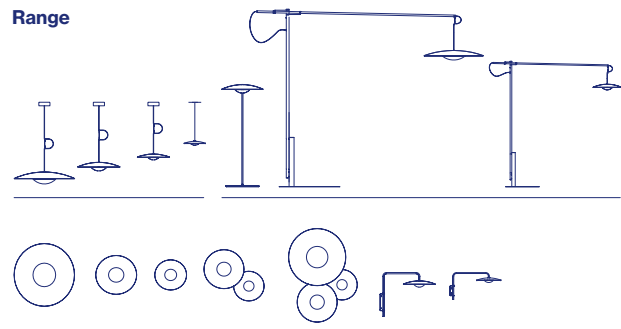


* In-line motion sensor dimmer

- [Download](#) Assembly Instructions
- [Download](#) Photometric Data
- [Download](#) 2D
- [Download](#) 3D

Black electrical cord

Range

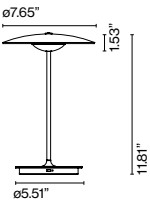


Watch the video
info@marset.com
www.marset.com

Wood is a great ally of cozy lighting. It is a material that is hard to mold, a challenge that the LED-Ginger collection neatly resolves. The combination of sheets of wood and paper pressed together under high pressure achieves a laminate that appears almost entirely flat.



LED-Ginger 20 M



Watch the video
info@marset.com
www.marset.com

LED-Ginger 20 M
 LED SMD 3,2W 1A 2700K
 478lm 5V (included)

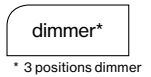
- Oak
- Wenge

Battery life
 5 hours in peak power
 10 hours in half power
 20 hours in a quarter power

Battery charging time: 10h

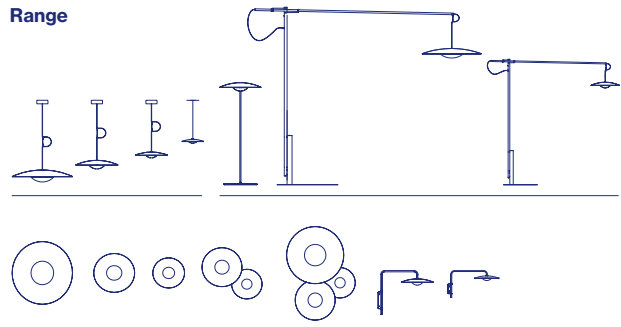
Diffuser and pressed wood base of 0.16 inches in natural oak or wenge. Injected aluminum dissipater and lacquered black matte metal stem. Battery is located inside the base, with 5 hours of battery life at peak performance.

Dry locations only



- [Download](#) Assembly Instructions
- [Download](#) Photometric Data
- [Download](#) 2D
- [Download](#) 3D

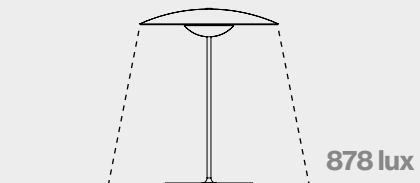
Range



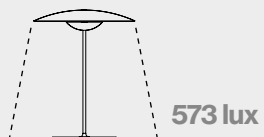
Wood is a great ally of cozy lighting. It is a material that is hard to mold, a challenge that the LED-Ginger collection neatly resolves. The combination of sheets of wood and paper pressed together under high pressure achieves a laminate that appears almost entirely flat.

How LED-Ginger illuminates

LED-Ginger M



LED-Ginger S



LED-Ginger 20 M

