

INSTALLATION INSTRUCTIONS

Item# P1873-084-L

READ AND SAVE THESE INSTRUCTIONS

WARNING! SHUT POWER OFF AT FUSE OR CIRCUIT BREAKER.

AVERTISSEMENT! COUPER LE COURANT AU NIVEAU DES FUSIBLES OU DU DISJONCTEUR.

HANGING THE FIXTURE (Fig. 1)

1. Shut off power at the fuse box or circuit breaker box and remove the old fixture including the mounting hardware.
2. Carefully unpack your new fixture and lay out all the parts in a clear area. Take care not to misplace any small parts necessary for installation.
3. Thread two screws (D) into the predrilled holes of crossbar (B) spaced the same distance apart as the holes on canopy (E). The length of screws (D) into crossbar (B) may be adjusted if necessary.
4. Secure crossbar (B) to junction box (H) (not included) using mounting screws (C) (Size:#8-32N*25mmL) provided. The side of crossbar (B) marked "GND" must face out.
5. Adjust wire to desired hanging length using the small screw located on the side of wire grip (G) with allen wrench provided.
6. The support cable is provided to support the weight of the fixture while wiring. Align the fixture to crossbar (B) and attach hook (I) on the end of support cable into a slot located on crossbar (B). Carefully allow the support cable to support the weight of the fixture while wiring.

CONNECTING THE WIRES (Fig. 2)

7. Connect the electrical wires as shown in (Fig.2), making sure that all wire connectors are secured. If your junction box has a ground wire (green or bare copper), connect the fixture ground wire to it. Otherwise, connect the fixture ground wire directly to the crossbar (B) using the green screw provided. After the wires are connected, tuck them carefully inside the junction box.
8. Slide canopy (E) over protruding screws (D) from crossbar (B) and secure with nuts (F).

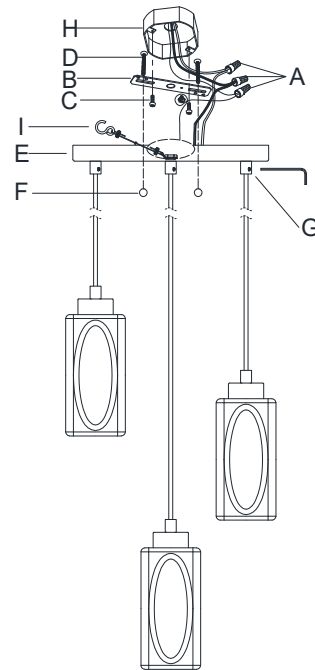
Your installation is complete now. Return power to the junction box and test the fixture.

Note: Illustration (Fig.1) on this manual is for installation purposes only. It may or may not be identical to the fixture purchased.

IMPORTANT: FIXTURE SHOULD BE INSTALLED BY A QUALIFIED ELECTRICIAN TO ENSURE PROPER WIRING AND INSTALLATION.

Dimmable with ELV and/or LED compatible wall dimmer switches.

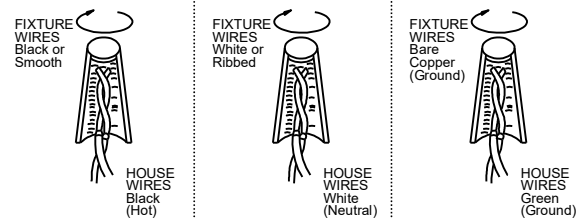
Fig. 1



Set# A-010

- Crossbar
- Ground Screw
- Mounting Screw*2

Fig. 2



P1873-084-L

