

# INSTALLATION INSTRUCTIONS

For Model P5130-066

**WARNING! SHUT POWER OFF AT FUSE OR CIRCUIT BREAKER.**  
**AVERTISSEMENT! COUPER LE COURANT AU NIVEAU DES FUSIBLES OU DU DISJONCTEUR.**

## PREPARATION

1. Shut off power at the fuse box or circuit breaker box. If necessary, remove old fixture and all mounting hardware from wall junction box.
2. Carefully unpack your new fixture and lay out all the parts on a clear area. Take care not to lose any small parts necessary for installation.

## MOUNTING THE BACKPLATE (Fig.1)

1. Secure the crossbar (A) to the outlet box using two outlet Box screws (B). The side of the Crossbar marked "GND" must face out.
2. Thread the nipple (C) into the center hole of the crossbar (A).

## CONNECTING THE WIRES (Fig. 2)

1. At this point, connect the electrical wires as follow, Connect the black wire from the fixture to the black house (hot) wire. Connect the white wire from the fixture to the white (neutral) house wire. Make sure all wire nuts are secured. You may wrap the connections with electrical tape. If your outlet has a ground wire (green or bare copper) connects fixture's ground wire to it. Otherwise connect fixture's ground wire directly to the crossbar using the green screw provided.

## MOUNTING FIXTURE AND GLASS SHADE (Fig .1)

1. Tuck all the wire connectors carefully, and then put them into the outlet box. Secure the back plate (D) over the nipple (C) against the wall using cap nut (E).
2. Secure the glass shade (G) onto the back plate (D) with knurled knob screw (F).
3. Install light bulb in accordance with fixtures specification. (**DO NOT EXCEED THE MAXIMUM WATTAGE RATING!**) (**PAS DEPASSER LA PUISSANCE NOMINALE MAXIMALE!**)

Your installation is now complete. Return power to the junction box and test the fixture.

## MIN 90°C SUPPLY CONDUCTORS.

**IMPORTANT:** Fixture should be installed by a qualified electrician to ensure proper wiring and installation.

Fig. 1

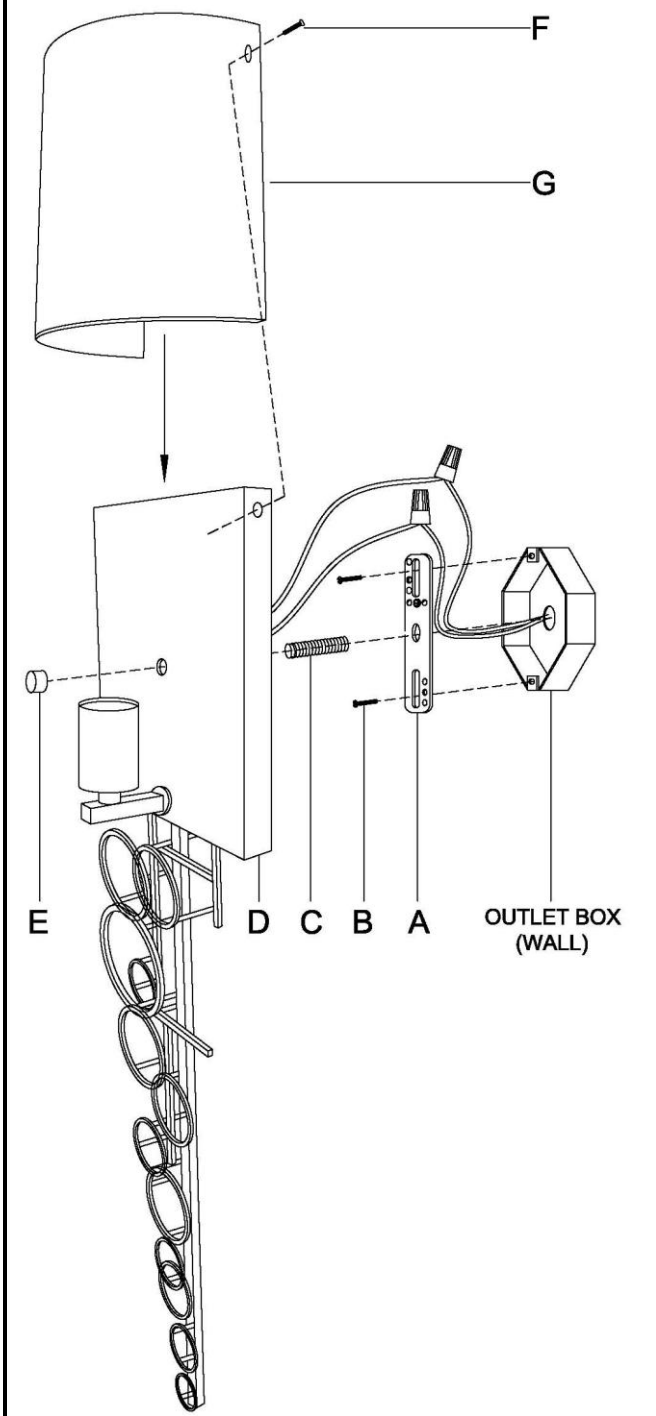


Fig. 2

