

INSTALLATION INSTRUCTIONS FOR P1675-084C-L For LED Pendant

READ AND SAVE THESE INSTRUCTIONS

WARNING! SHUT POWER OFF AT FUSE OR CIRCUIT BREAKER
AVERTISSEMENT! COUPER LE COURANT AU NIVEAU DES FUSIBLES OU DO DISJONCTEU

ASSEMBLING THE FIXTURE (Fig.1)

1. Shut off power at the fuse box or circuit breaker box and remove the old fixture including the mounting hardware.
2. Carefully unpack your new fixture and lay out all the parts in a clear area. Take care not to misplace any small parts necessary for installation.
3. Attach mounting plate (A) to junction box (not included) using mounting screws (C) (Size: 8-32*1/2"L). The side of mounting plate (A) marked "GND" must face out.
4. Thread all thread (I) to hex joint of fixture. Place decorative cover (H) to all thread (I) and secure with washer (G).
5. Fixture includes three 12" and one 6" rods. Determine desired hanging height and thread rods (F1, F2) to all thread (I). Feed fixture wire carefully through each rod. If installing with one 6" rod only the all thread must be removed.
6. Secure rod (F) to swivel of canopy (E).
7. The support cable is provided to support weight of fixture while wiring. Align fixture to mounting plate (A) and attach hook (U) on end of support cable into a slot located on mounting plate (A). Carefully allow support cable to support weight of fixture while wiring.

CONNECTING THE WIRES (Fig.2)

8. Connect the electrical wires as shown in Fig.2, making sure that all wire connectors are secured. If your junction box has a ground wire (green or bare copper), connect fixture's ground wire to it. Otherwise, connect the fixture's ground wire directly to the mounting plate (A) using the green screw (B) provided.
9. Tuck wire connectors neatly into the junction box.

COMPLETING THE INSTALLATION

10. Align canopy (E) onto mounting plate (A) and secure with screws (D).
11. Place cap (K) to acrylic shade (J), and secure with finial (L).
12. Remove stainless steel protective film on fixture.

Your installation is now complete. Return power to the junction box and test the fixture.

CAUTION /ATTENTION: When handling fixture, do not apply pressure to LEDs. Hold fixture by the base only.

Replacing LED module (Fig. 3)

The LED module can be replaced by a qualified electrician without cutting of wire and without damage to any decorative element to which the fixture is attached. See installation steps for more details (Fig.3.)

Warning: Turn off power at the circuit breaker before replacing LED module.

- a. Shut off the power.
- b. Remove screws (D) and remove wire connectors and place fixture body on a clean flat surface.
- c. Loosen finial (L), and remove cap (K). Loosen hex nut (W), and remove acrylic shade (J).
- d. Loosen screws (S) and rubber washers (N), and remove glass panel (R).
- e. To disconnect LED module: Loosen hex nuts (O), studs (P), screws (Q), rubber washers (N). Press button of quick connector (T) on LED module (M) with screw driver to disconnect wire and carefully remove LED module (M).
- f. Reverse steps a - e for installing new LED module (Fig.3).

Note: The LED module should be provided by a specified supplier.

IMPORTANT: Fixture should be installed by a qualified electrician to ensure proper wiring and installation.

Dimmable with ELV and/or LED compatible wall dimmer switches.

Fig.1

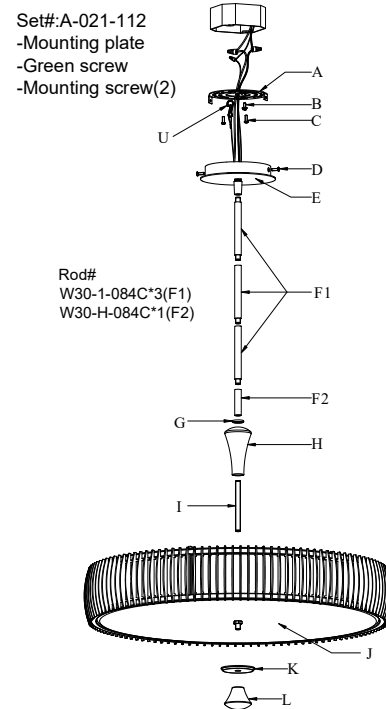


Fig.2

<p>FIXTURE WIRES Black or Smooth</p>	<p>FIXTURE WIRES WHITE OR RIBBED</p>	<p>FIXTURE WIRES Green or Bare Copper (Ground)</p>
<p>HOUSE WIRES Black (Hot)</p>	<p>HOUSE WIRES White (Neutral)</p>	<p>HOUSE WIRES Green or Bare Copper (Ground)</p>

Fig.3

