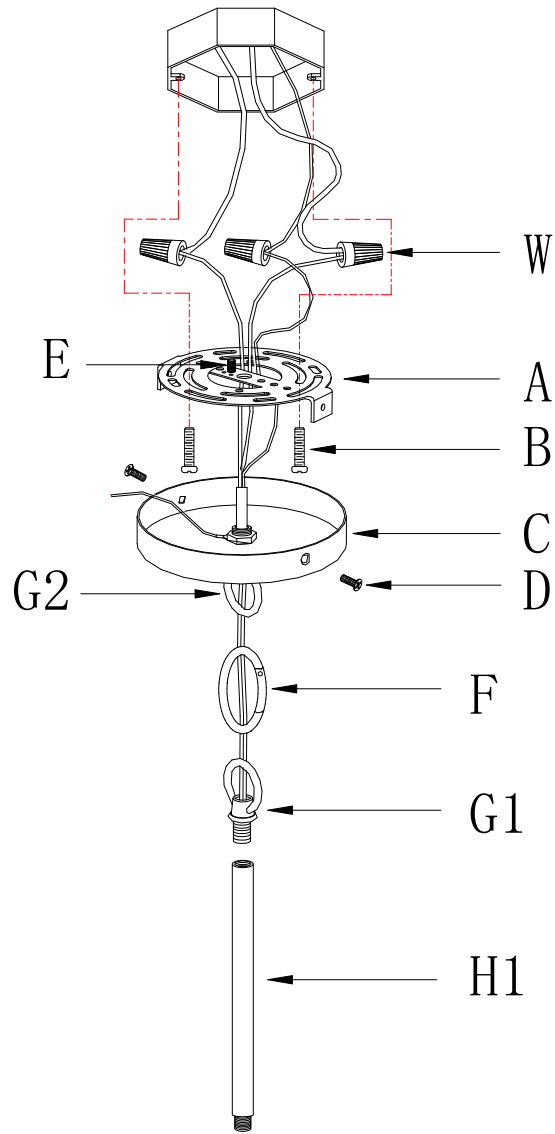


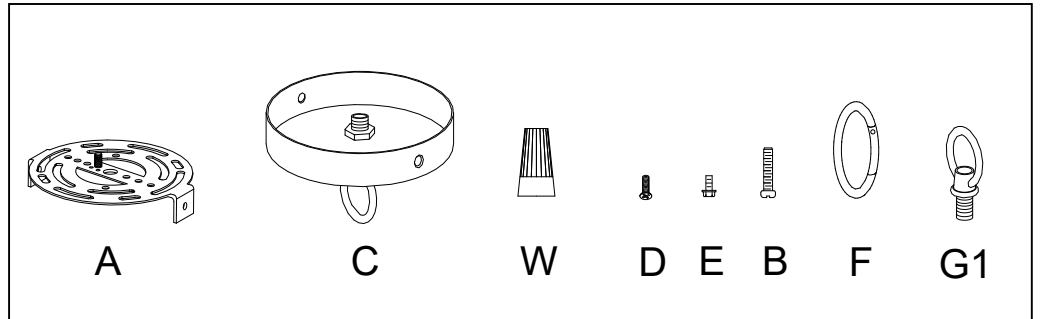


**Fig.2**



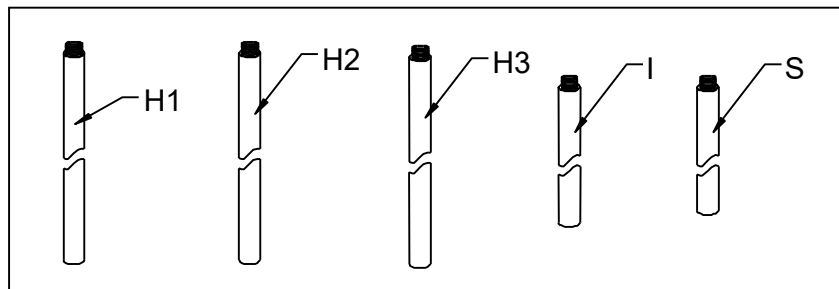
**a. Hardware Bag:**

- A. Circular Strap \*1
- B. Screws \*2
- C. Canopy with loop\*1
- D. Mounting Screws\*2
- E. Ground screw \*1
- F. Quick Link\*1
- G1. Loop\*1
- G2. Loop\*1
- W. Wire connectors \*3



**b. Hardware Bag:**

- H1. ROD 12"\*1
- H2. ROD 12"\*1
- H3. ROD 12"\*1
- I. ROD 6"\*1
- S. ROD 4"\*1



# INSTALLATION INSTRUCTIONS

Item# P5384-613 (Convertible Lamps for Semi Flush Mount) (New. 05/13/2022)

## READ AND SAVE THESE INSTRUCTIONS

**WARNING! SHUT POWER OFF AT FUSE OR CIRCUIT BREAKER.**

**AVERTISSEMENT! COUPER LE COURANT AU NIVEAU DES FUSIBLES OU DU DISJONCTEUR..**

### ASSEMBLE THE FIXTURE AS SEMI FLUSH (Fig. 4&Fig. 5)

1. Loosen hex nut (W) using wrench (Z) provided. Carefully remove ground wire (AA), washer (X), lock washer (Y), canopy (C) and loop (G2) (Fig.5). Cut wire to length, if wire is too long.
2. Slide cap (M) onto all thread (T) at the top of cluster (N). Secure rod (L) onto all thread (T) on top of cluster (N). Secure fixture body (V) on top of rod (L).
3. Slide cap (J) onto all thread (K) at the top of fixture body (V). Secure rod (I) onto all thread (K) on top of fixture body (V).
4. Slide canopy (C), lock washer (Y), washer (X), over rod (S) and secure hex nut (W) using wrench (Z) provided. (Fig. 4)
5. Attach circular strap (A) to the junction box (not included) using mounting screws (B). The side of the circular strap (A) marked "GND" must face out.

### CONNECTING THE WIRES (Fig. 3)

6. Connect the electrical wires as shown in (fig. 3), making sure that all wire connectors are secured. If your junction box has a ground wire (green or bare copper), connect the fixture's ground wire to it. Otherwise, connect the fixture's ground wire directly to the circular strap (A) using the ground screw provided.
7. Tuck wire connectors neatly into the junction.

### COMPLETING THE INSTALLATION (Fig. 4)

8. Slide canopy (C) over circular strap (A) and secure with screws (D).
9. Install (4) four candelabra base bulbs (R) up to 60 watts each or CFL or LED equivalent (not included) in accordance with the fixture specification—**DO NOT EXCEED THE MAXIMUM WATTAGE RATING! (NE PAS DEPASSER LA PUISSANCE NOMINALE MAXIMALE!)**.
10. Alternate glass (O) and (Q) on hooks (U), then hang hooks (P) to each glass (O) and (Q). Alternate again glass (Q) and (O) on hooks (P).

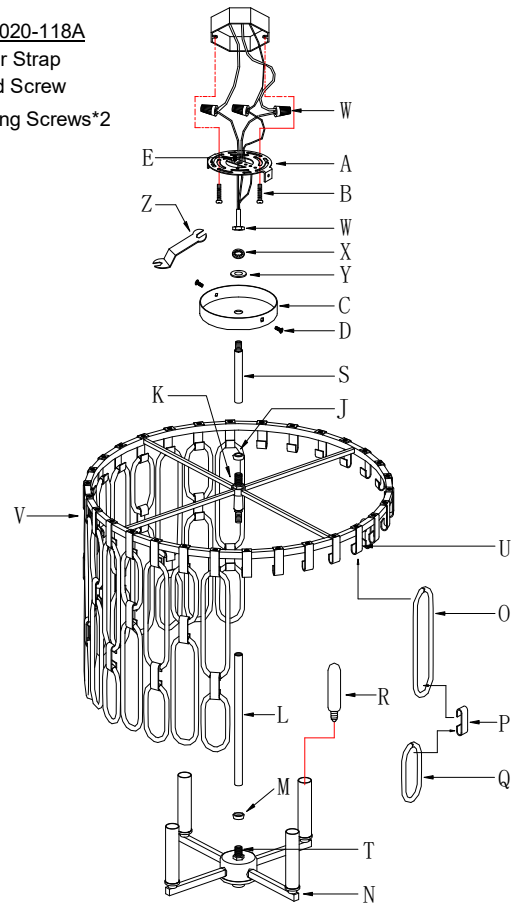
Your installation is now complete. Return power to the junction box and test the fixture.

**Note: Illustration (Fig. 4) on this manual is for installation purposes only. It may or may not be identical to the fixture purchased.**

**Fig.4**

Set# A-020-118A

- Circular Strap
- Ground Screw
- Mounting Screws\*2



**Fig. 5**

