

Ultra Light Floor Lamp

CT1151 | 1.0

GENERATION LIGHTING PORTABLE

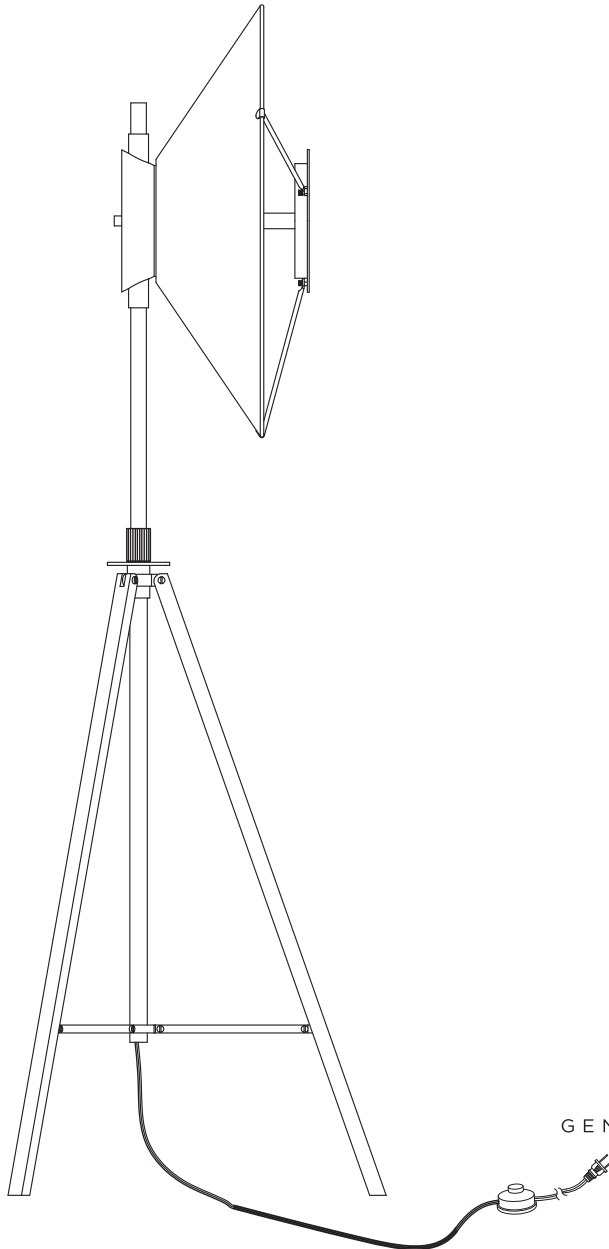
General Product Information:

This product is safety listed for dry locations only.

This instruction shows a typical installation.

SAVE THESE INSTRUCTIONS!

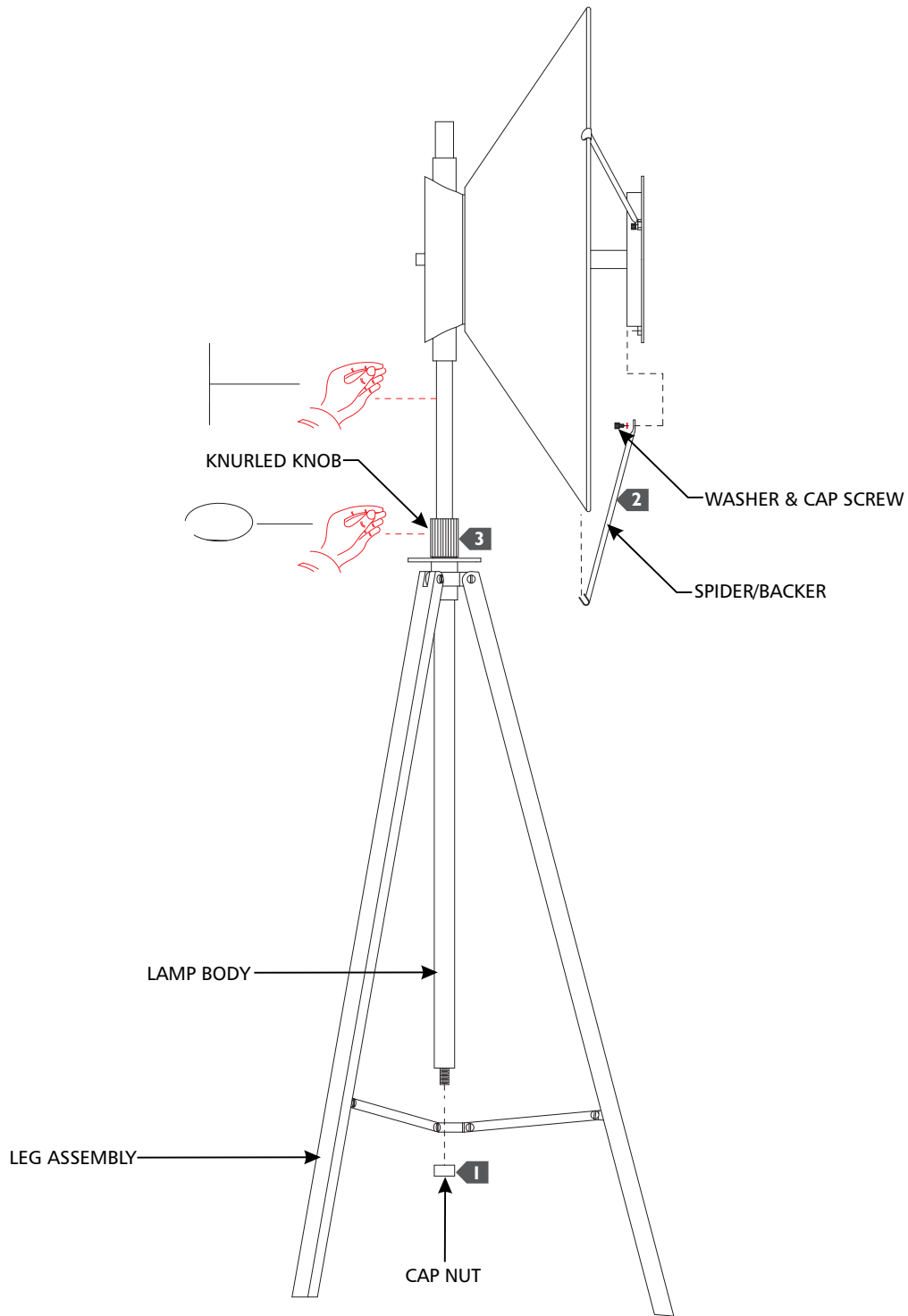
IMPORTANT SAFETY INSTRUCTIONS
This portable lamp has a polarized plug (one blade is wider than the other) as a safety feature to reduce the risk of electric shock. This plug will fit in a polarized outlet only one way. If the plug does not fit fully in the outlet, reverse the plug. If it still does not fit contact a qualified electrician. Never use with an extension cord unless plug can be fully inserted. Do not attempt to defeat this safety feature.



GENERATION LIGHTING
7400 Linder Ave., Skokie, IL 60077
T 847.410.4400 | F 847.410.4500
www.generationlighting.com

Assemble the Lamp

IA



- 1** Assemble the fixture by inserting the lamp body through the leg assembly and securing in place with the cap nut.
- 2** Install the spider/backer and secure in place by tightening with the washers and thumb screw. **NOTE:** Adjust the 3 cap nuts as necessary to properly fix the diffuser.
- 3** **ADJUST THE HEIGHT:** Turn the knurled knob to loosen, raise/lower the fixture to the desired height, and retighten the knurled knob to secure in place. **CAUTION:** Please hold the lamp body with one hand throughout the adjustment process until the knurled knob is secured with the other hand as shown in the diagram.