

# Perno Medium Semi-Flush Mount

CF1122 | 1.0

## GENERATION LIGHTING FLUSH MOUNT

### GENERAL PRODUCT INFORMATION:

These fixtures are intended to be installed utilizing NEC compliant junction boxes.

This product is safety listed for damp locations.

Incandescent version may be dimmed with a standard incandescent dimmer. LED version may be dimmed with a LED dimmer. Consult lamp manufacturer for additional information.

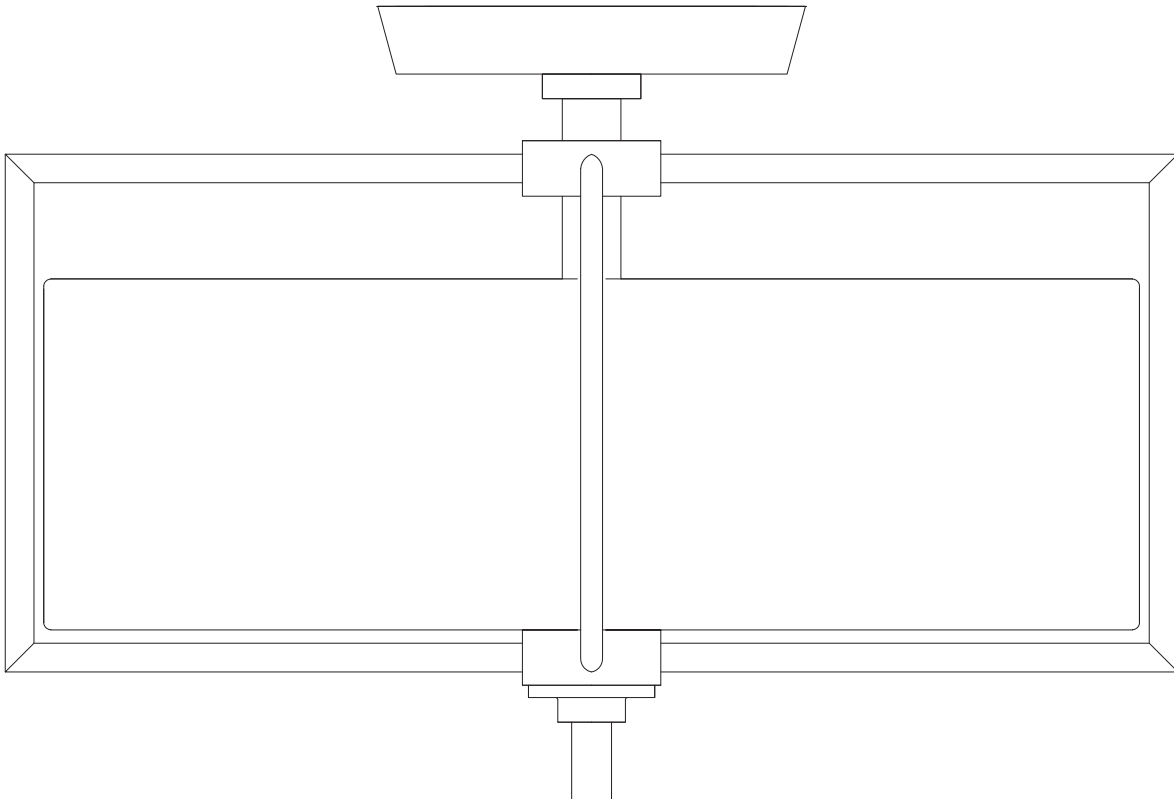
This instruction shows a typical installation.

### CAUTION - RISK OF FIRE

This product must be installed in accordance with the applicable installation code by a person familiar with the construction and operation of the product and the hazards involved.

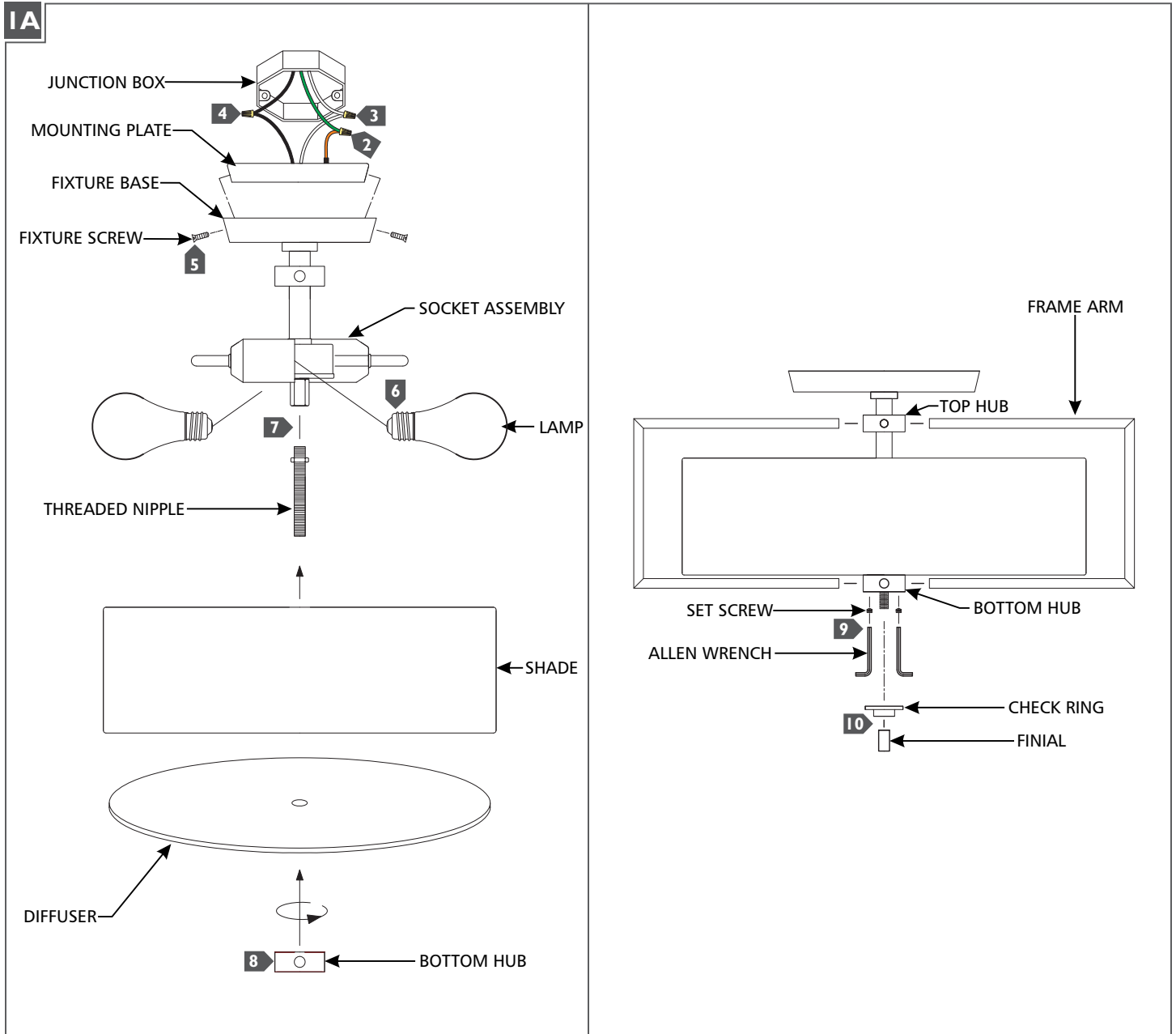
**Use minimum 90°C supply conductors.**

**SAVE THESE INSTRUCTIONS!**



GENERATION LIGHTING  
7400 Linder Ave., Skokie, IL 60077  
T 847.410.4400 | F 847.410.4500  
[www.generationlighting.com](http://www.generationlighting.com)

# Install the Fixture



- 1** Install the mounting plate to the junction box.
- 2** Connect the fixture to a suitable ground in accordance with local electrical codes.
- 3** Connect the white fixture wire to the neutral power line wire with a wire nut.
- 4** Connect the black fixture wire to the hot power line wire with a wire nut.
- 5** Neatly tuck the wiring into the junction box, place the fixture base onto the mounting plate and secure it in place with the fixture screws.
- 6** Screw the lamps into the sockets. Refer to the label on the socket for max wattage information.
- 7** Screw the short end of the threaded rod into the socket assembly.
- 8** Place the shade, then the diffuser onto the threaded rod and secure in place by screwing the bottom hub onto the threaded pipe.
- 9** Install a frame arm by inserting one end in the top hub and the other in the bottom hub, then secure it in place with a set screw, using the provided Allen wrench, in the bottom hub. Repeat for all arms.
- 10** Install the check ring onto the threaded nipple and screw the finial in place.