

Monroe Flush mount

KSF1051, KSF1061, KSF1072 | 1.0

GENERATION LIGHTING FLUSH MOUNT

GENERAL PRODUCT INFORMATION:

These fixtures are intended to be installed utilizing NEC compliant junction boxes.

This product is safety listed for damp locations.

Incandescent version may be dimmed with a standard incandescent dimmer. LED version may be dimmed with a LED dimmer. Consult lamp manufacturer for additional information.

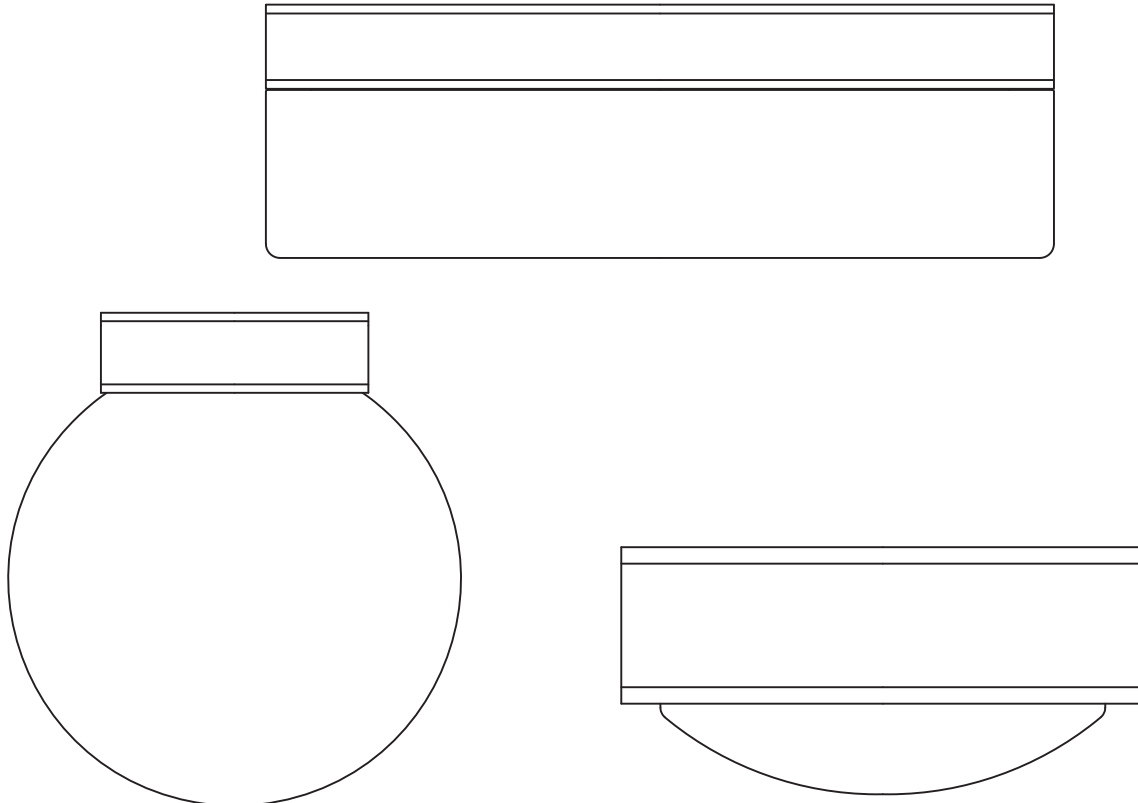
This instruction shows a typical installation.

CAUTION - RISK OF FIRE

This product must be installed in accordance with the applicable installation code by a person familiar with the construction and operation of the product and the hazards involved.

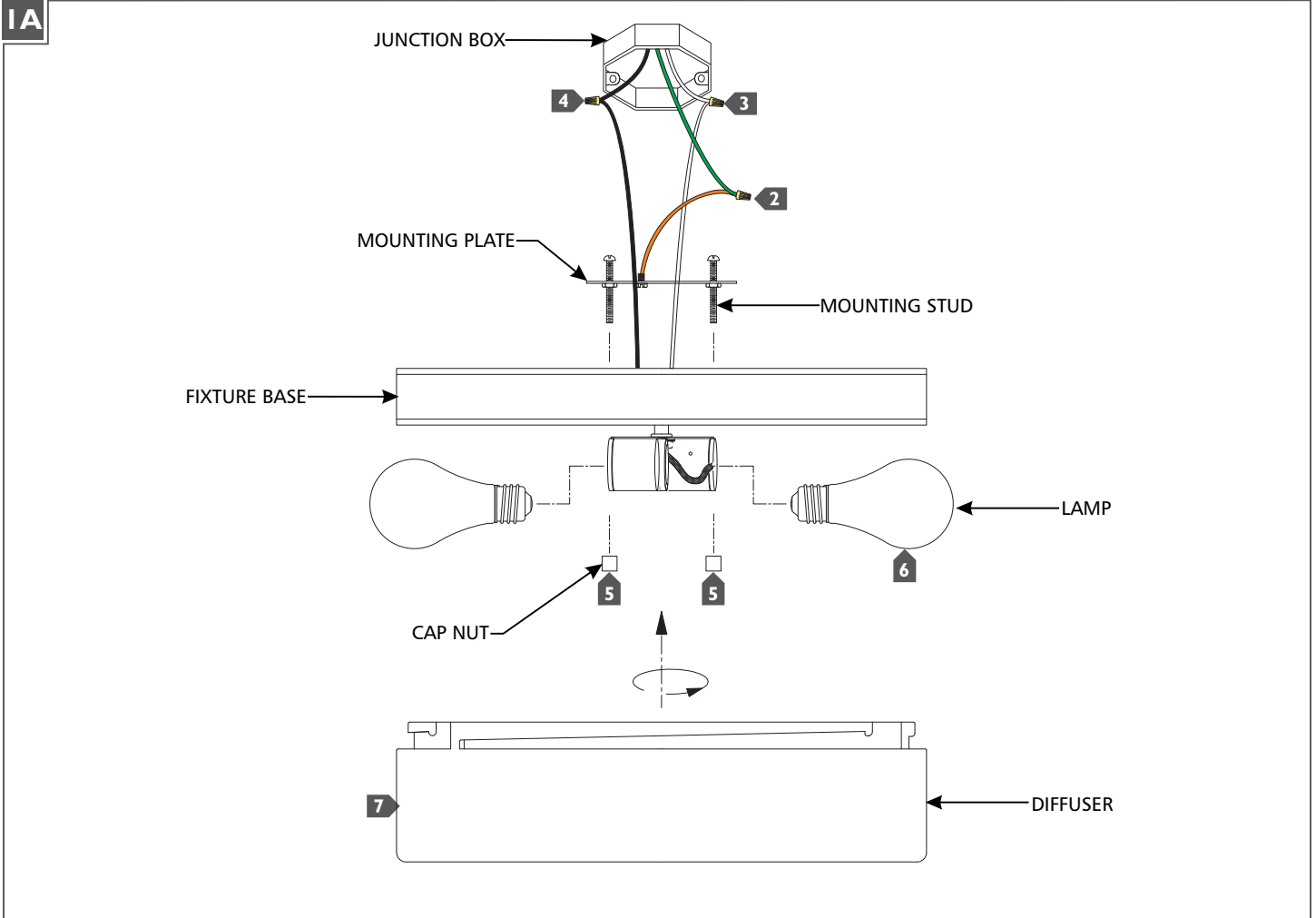
Use minimum 90°C supply conductors.

SAVE THESE INSTRUCTIONS!



GENERATION LIGHTING
7400 Linder Ave., Skokie, IL 60077
T 847.410.4400 | F 847.410.4500
www.generationlighting.com

Install the Fixture



- 1** Secure the mounting plate to the junction box.
- 2** Connect the fixture to a suitable ground in accordance with local electrical codes.
- 3** Connect the white fixture wire to the neutral power line wire with a wire nut.
- 4** Connect the black fixture wire to the hot power line wire with a wire nut.
- 5** Neatly tuck the wiring into the junction box, place the fixture base onto the mounting studs, and secure it in place by screwing the cap nuts onto the mounting studs.
- 6** **For models with lamps**, screw the lamp(s) into the socket(s). Refer to the label on the socket for max wattage information.
- 7** Install the diffuser by screwing it into the fixture base.