

# INSTALLATION INSTRUCTIONS FOR P1142

## For LED Wall Mount Fixture

**WARNING! SHUT POWER OFF AT FUSE OR CIRCUIT BREAKER.**

**AVERTISSEMENT ! COUPER LE COURANT AU NIVEAU DES FUSIBLES OU DO DISJONCTEUR.**

### PREPARATION

1. Shut off power at the fuse box or circuit breaker box.. If necessary remove the old fixture and mounting hardware.
2. Carefully unpack your new fixture and lay out all the parts on a clear area. Take care not to lose any small parts necessary for installation.

### MOUNTING THE FIXTURE (FIG. 1)

3. Connect the white input wire from the driver (A) to the white wire from the junction box. Connect the black input wire from driver (A) to the black wire from the junction box and tuck the driver (A) and connected wires carefully inside the junction box.
4. Thread the two mounting screws (B) into the screws holes on the mounting strap (F) spaced the same distance apart as the holes in back plate (D). Secure mounting strap (C) to the junction box using junction boxes screws (F) (Size: 8-32\*1/2"L). The side of the mounting back plate marked "GND" must face out.

### CONNECTING THE WIRES (FIG. 2)

5. Connect the red output wire from driver to the red input wire from the led module. Connect the black output wire from driver to the black input wire from led module see Fig. 2, making sure that all wire connectors are secured. If your junction box has a ground wire (green or bare copper), connect the fixtures ground wire to it. Otherwise, connect the fixture ground wire directly to the mounting strap (F) using the green screw (C) provided. .

### FINISHING THE INSTALLATION (FIG.1)

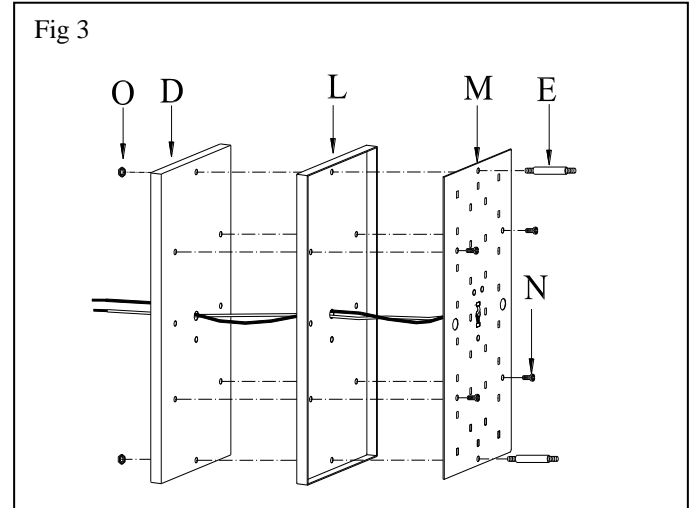
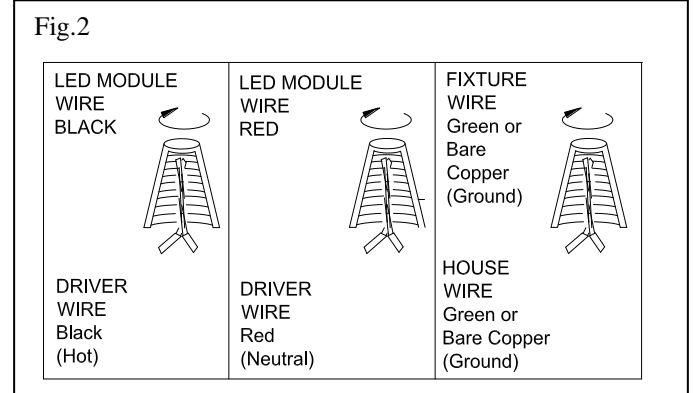
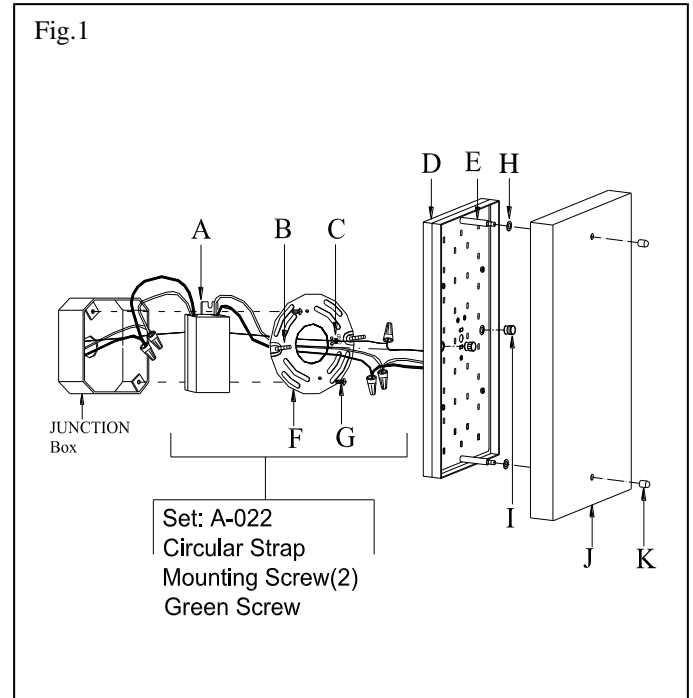
6. Align the fixture back plate (D) to the mounting screws (B) and secure with cap nuts (I).
7. Place the rubber washers onto nipple (E). Align the glass (J) to nipple (E) and secure with finial (K).

**CAUTION /ATTENTION :** When handling the fixture, do not apply pressure to the LEDs. Hold the fixture by the base or front bracket (D) only.

### Replacing LED module (Fig. 3)

The LED module can be replaced by a qualified electrician without cutting of wire and without damage to any decorative element to which the fixture is attached. See installation steps for more details (Fig 3.) **Warning: Turn off power at the circuit breaker before replacing LED module or LED driver.**

- a. Remove finial (K) and glass (J).
- b. Remove the wire nuts located inside the fixture back plate to disconnect the LED module.
- c. Remove threaded nipple (E) from front plate cover (L) and remove hex nut (O) from back plate (D). Remove screws (N) to carefully remove the LED module (M) from front plate cover (L).
- d. Reverse steps a-c for installing the new LED module.
- e. Note: The LED module should be provided by a specified supplier.
- f. For better heat dissipation the LED module (M) should be applied with thermal grease when re-lamping.



Brand: Lutron

Ordering Information

■ Boxed

● Clamshell

Model number	Product name	Control type	Maximum capacity
■ DVCL-153P-	Divac C-L	Single-pole/3-way dimmer-	150 W CFL/LED or 600 W Incandescent/ Halogen 120 V
● DVCL-153PH-			
■ DVSCCL-153P-	Divac C-L Satin Colors		
■ CTCL-153P-	Skylark Contour C-L		
● CTCL-153PH-			
■ AYCL-153P-	Ariadni C-L	Single-pole lamp dimmer	100W CFL/LED or 250W Incandescent/ Halogen 120v
● AYCL153PH-			
● TTCL-100H-	Credenza C-L		

**IMPORTANT:** Fixture should be installed by a qualified electrician to ensure proper wiring and installation.

