

# FLOS

FU181033 Argent

## Coordinates Wall 1

Designed by Michael Anastassiades, 2020

15W - 961lm - 2700K - CRI> 90



Are you a professional and your project needs consulting and support?

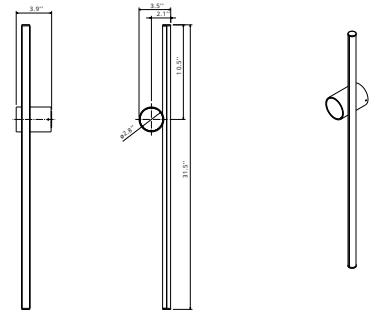
[BOOK AN APPOINTMENT](#)

### Main specifications

EAN	8059607038741
Mounting	Wall
Environments	Indoor dry location
Light Source Type	LED
LED type	LED Module
Power (W)	15
System power (W)	15
System flux (lm)	961

### Physical

Color	Argent
Length (in)	31.5
Net weight (lb)	2.54
Package volume (in)	2283.51
IP internal	20



### Download

[Mounting instructions](#)  PDF

### Photometric Files

[ULD](#)  ZIP

### Technical Drawings

[3D](#)  ZIP



## Photometric

Lighting type	Total
Light distribution	Asymmetric
CCT (K)	2700
CRI>	90

## Electrical

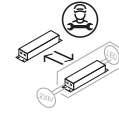
Insulation class	I
Frequency (Hz)	50/60
Main voltage (Vac)	120
Driver	Integrated
Dimmable	Yes
Dimming type	Mains Cut Dimming
Dimming interface	Remote Dimmable (Dimmer Not Included)
Batteries inside	No

## Ecodesign and Energy Labelling

This product contains a light source of energy efficiency class F



Replaceable (LED only) light source by a professional



Replaceable control gear by a professional