

FLOS

FU181133 Argent

Coordinates Wall 2

Designed by Michael Anastassiades, 2020



24W - 1402lm - 2700K - CRI> 90

Are you a professional and your project needs consulting and support?

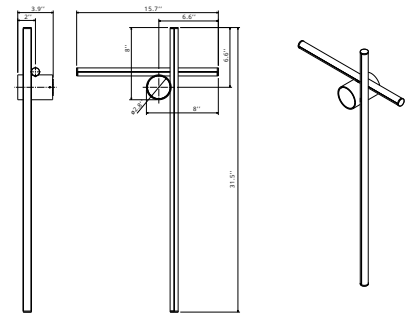
[BOOK AN APPOINTMENT](#)

Main specifications


| | |
|-------------------|---------------------|
| EAN | 8059607038765 |
| Mounting | Wall |
| Environments | Indoor dry location |
| Light Source Type | LED |
| LED type | LED Module |
| Power (W) | 24 |
| System power (W) | 24 |
| System flux (lm) | 1402 |

Physical

| | |
|---------------------|---------|
| Color | Argent |
| Length (in) | 31.5 |
| Net weight (lb) | 2.98 |
| Package volume (in) | 4073.33 |
| IP internal | 20 |



Download

[Mounting instructions](#)  PDF

Photometric Files

[ULD](#)  ZIP

Technical Drawings

[3D](#)  ZIP



Photometric

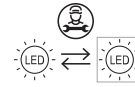
| | |
|--------------------|------------|
| Lighting type | Total |
| Light distribution | Asymmetric |
| CCT (K) | 2700 |
| CRI> | 90 |

Electrical

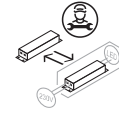
| | |
|--------------------|--|
| Insulation class | I |
| Frequency (Hz) | 50/60 |
| Main voltage (Vac) | 120 |
| Driver | Integrated |
| Dimmable | Yes |
| Dimming type | Mains Cut Dimming |
| Dimming interface | Remote Dimmable (Dimmer Not Included) |
| Batteries inside | No |

Ecodesign and Energy Labelling

This product contains a light source of energy efficiency class F



Replaceable (LED only) light source by a professional



Replaceable control gear by a professional