
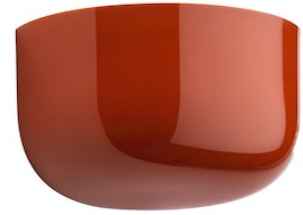


# FLOS

 FU108075 Brick Red

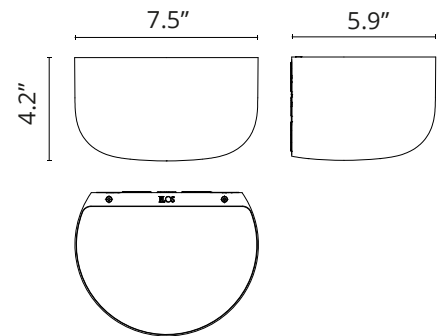
## Bellhop Wall Up

Designed by Edward Barber and Jay Osgerby, 2022



17W - 1332lm - 2700K - CRI> 90

Designed by Edward Barber and Jay Osgerby Indirect light wall lamp. Body in colored polycarbonate. Diffuser made of semi-transparent injection-moulded polycarbonate. The surface of the diffuser has been designed with a special texture to enhance the uniformity of the light distribution. High efficiency LED source with a lifetime of more than 50.000 hours. The LED source can be easily replaced on site by a professional installer when it comes to the end of its lifecycle. Bellhop Wall Up is a future-proof lamp as no glue is used to assemble its different parts. The product can therefore be separated, replaced individually, and recycled separately.



Are you a professional and your project needs consulting and support?

[BOOK AN APPOINTMENT](#)

### Main specifications

EAN	8059607047910
Mounting	Wall
Environments	Indoor Outdoor damp location
Light Source Type	LED
LED type	LED Module
Power (W)	17
System power (W)	17
System flux (lm)	1332

### Physical

Color	Brick Red
Length (in)	5.91
Net weight (lb)	2.65
Package volume (in)	575.15
IP internal	44

### Download

[Mounting instructions](#)  PDF

[Spare Parts](#)  PDF

### Photometric Files

[LDT / IES](#)  ZIP

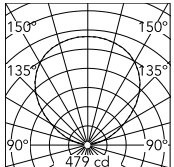
### Technical Drawings

[2D](#)  DWG

[3D](#)  ZIP



## Schematic light drawing



h(m)	E(lx)	D(m)
1	479	2.78
2	120	5.55
3	53	8.33
4	30	11.11
5	19	13.88

Luminous flux Luminaire  
1314 lm

## Ecodesign and Energy Labelling

This product contains a light source of energy efficiency class **G**



Replaceable (LED only)  
light source by a  
professional

## Photometric

Lighting type	Indirect, Direct
Light distribution	Symmetric
CCT (K)	2700
CRI>	90

## Electrical

Insulation class	II
Frequency (Hz)	50/60
Main voltage (Vac)	120
Driver	Integrated
Dimmable	Yes
Dimming type	Mains Cut Dimming
Dimming interface	Remote Dimmable (Dimmer Not Included)