

FLOS

FU030400 Crystal

Arco K

Designed by Achille and Pier Giacomo Castiglioni, 1962

Incandescent - 100W



Floor lamp providing direct light. Lead-free glass base. Satin-finish stainless steel telescopic stem. Pressed, polished and zapon-varnished aluminum swiveling and height-adjustable reflector.

Are you a professional and your project needs consulting and support?

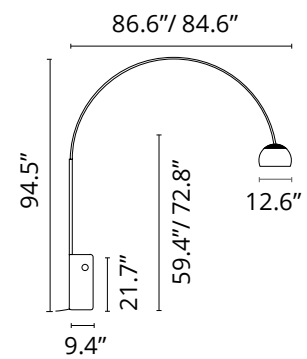
[BOOK AN APPOINTMENT](#)

Main specifications

EAN	8059607053416
Mounting	Floor
Environments	Indoor dry location
Light Source Type	Bulb
Lamp category	Incandescent
Lamp type	A
Lamp holders	E26
Number of heads	1
Power (W)	100

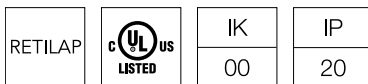
Physical

Color	Crystal
Cord length (in)	106
Net weight (lb)	140.9
Package volume (in)	8694.53
IP internal	20



Download

[Mounting instructions](#)



Photometric

Lighting type	Direct
Light distribution	Asymmetric

Electrical

Insulation class	II
Frequency (Hz)	60
Main voltage (Vac)	120
LED voltage Vf (Vdc)	null
Plug type	Type A
Batteries inside	No

Bulbs



INCLUDED

RF85284

100W E26 Silver -Clear Halogen
Lamp