

INSTALLATION INSTRUCTIONS

FOR P1390-044G-L

FOR LED Chandelier/Pendant Light

WARNING! SHUT POWER OFF AT FUSE OR CIRCUIT BREAKER.

AVERTISSEMENT ! COUPER LE COURANT AU NIVEAU DES FUSIBLES OU DO DISJONCTEUR

HANGING THE FIXTURE

1. Carefully remove the fixture from the carton and check that all parts are included as shown in the illustration.
2. Shut off power at the circuit breaker and remove old fixture including the mounting hardware

SUGGESTED INSTALLATION (Fig. 1)

3. Attach the mounting plate (B) to the junction box (H) using screws (C) (Size: 8-32*1/2"L). The side of the mounting plate marked "GND" must face out.
4. Disconnect screws (N) and the wire clip (O), and pull the wire (P) to determine the length of the wire. After that, tighten the wire clip (O) and screws (N).

CONNECTING THE WIRES (Fig. 2)

5. At this point, connect the electrical wire as shown in figure 2, making sure that all wire connectors (A) are secured. If your outlet box has a green or bare copper ground wire, connect the fixture's ground wire to it. Otherwise, connect the fixture's ground wire directly to the mounting plate (B) using the green screw provided.
6. After wires are connected, tuck them carefully into the ceiling junction box (H), then place Canopy (D) over the mounting plate (B) and secure it against ceiling with screws (E).

COMPLETING THE INSTALLATION (Fig. 4)

7. Twist the glass (G) with metal plate (F) onto the fixture body by hand until tight, but don't too tighten.

Your installation is now complete. Return power to the junction box and test the fixture.

Note: Illustration (Fig. 1, 4) on this manual is for installation purposes only. It may or may not be identical to the fixture purchased.

CAUTION /ATTENTION: When handling bracket, do not apply pressure to the LEDs. Hold the metal parts.

Fig.1

Set# A-021-145

- Mounting plate
- Ground screw
- Mounting screws*2pcs

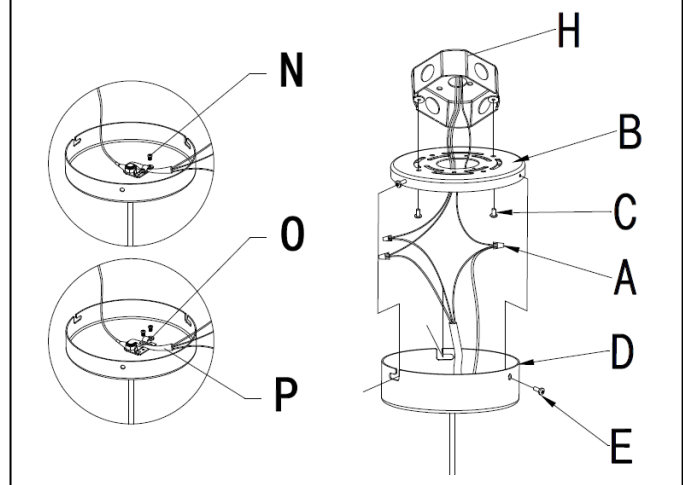
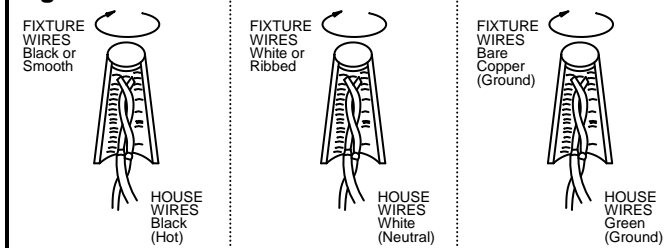


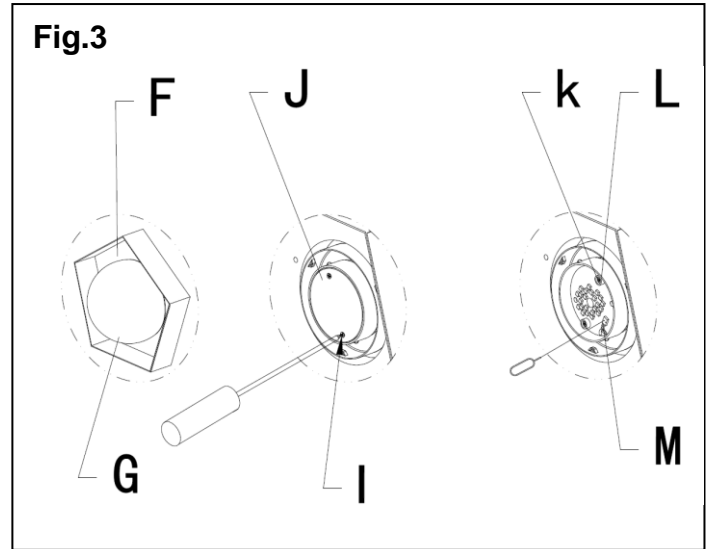
Fig. 2



Replacing LED module (Fig. 3)

The LED module can be replaced by a qualified electrician without cutting of wire and without damage to any decorative element to which the fixture is attached. See installation steps for more details

- a. Shut off power.
- b. Remove glass (G) and metal plate (F).
- c. Remove screws (I) and the glass diffuser (J).
- d. Remove screws (K) and washers (L). Use a pin to press the hole on the quick connector (M) to disconnect the LED module. Carefully remove the LED module from bracket.
- e. Reverse steps a-d for installing the new LED module.
- f. Note: The LED module should be provided by a specified supplier.



IMPORTANT: Fixture should be installed by a qualified electrician to ensure proper wiring and installation.

Dimmable with ELV and/or LED compatible wall dimmer switches.

