

INSTALLATION INSTRUCTIONS

FOR P1396-044G-L

FOR LED Chandelier/Pendant Light

WARNING! SHUT POWER OFF AT FUSE OR CIRCUIT BREAKER.

AVERTISSEMENT ! COUPER LE COURANT AU NIVEAU DES FUSIBLES OU DO DISJONCTEUR

HANGING THE FIXTURE

1. Carefully remove the fixture from the carton and check that all parts are included as shown in the illustration.
2. Shut off power at the circuit breaker and remove old fixture including the mounting hardware

SUGGESTED INSTALLATION (Fig. 1,2)

3. Attach the mounting plate (A) to the junction box (C) using screws (B) (Size: 8-32*1/2"L). The side of the mounting back plate marked "GND" must face out.
4. Determine the desired hanging height and thread rods (F1, F2 and F3) to the nipple (R). Then attach loop (H1) by screwing in to rod (F1). Note: remove the nipple if installing with one 6" rod only.
5. Attach the quick link (S) to loop (H1) and loop (H2) on the canopy (D), carefully feed the wire over loop (H1), quick link (S) and loop (H2). Adjust the loop (H2) to make sure both loops are on the same direction.
6. The support cable (Q) is provided to support the weight of the fixture while wiring. Attach the hook on support cable (Q) to the slot hole on the mounting plate (A). Carefully allow the support cable (Q) to support the weight of the fixture while wiring.
7. To straighten the wire, use a blow dryer.

CONNECTING THE WIRES (Fig. 3)

8. At this point, connect the electrical wire as shown in figure 3, making sure that all wire connectors are secured. If your outlet box has a green or bare copper ground wire, connect the fixture's ground wire to it. Otherwise, connect the fixture's ground wire directly to the mounting plate (A) using the green screw provided.
9. After wires are connected, tuck them carefully into the ceiling junction box (C), then place Canopy (D) over the mounting plate (A) and secure it against ceiling with screws (E).

COMPLETING THE INSTALLATION (Fig. 1.2)

10. Twist each glass (J) with metal plate (I) onto the fixture body (G) by hand until tight, but don't too tighten.

Your installation is now complete. Return power to the junction box and test the fixture.

Note: Illustration (Fig. 1, 2) on this manual is for installation purposes only. It may or may not be identical to the fixture purchased.

CAUTION /ATTENTION: When handling bracket, do not apply pressure to the LEDs. Hold the metal parts.

Fig.1

Set# A-021-190115

- Mounting plate
- Ground screw
- Mounting screws*2pcs

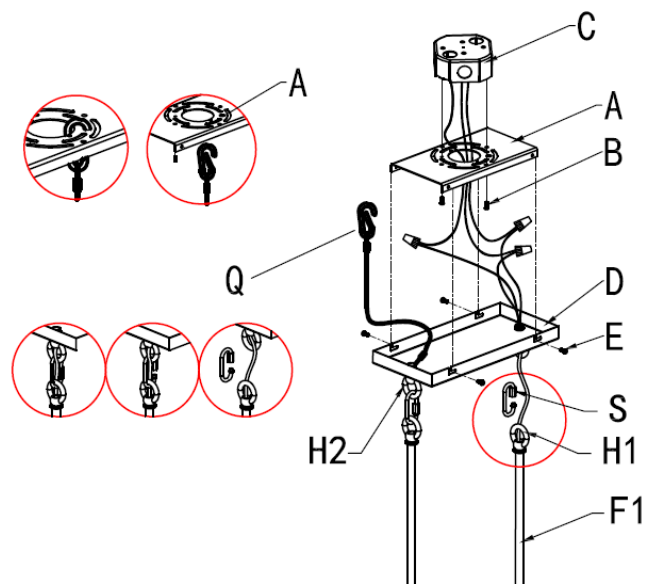


Fig. 3

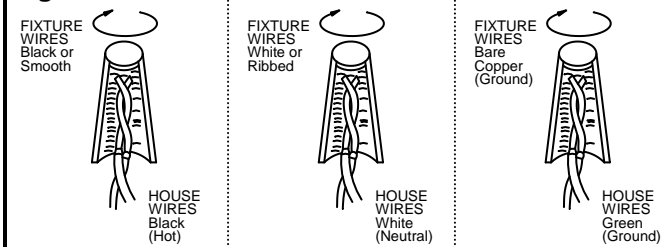
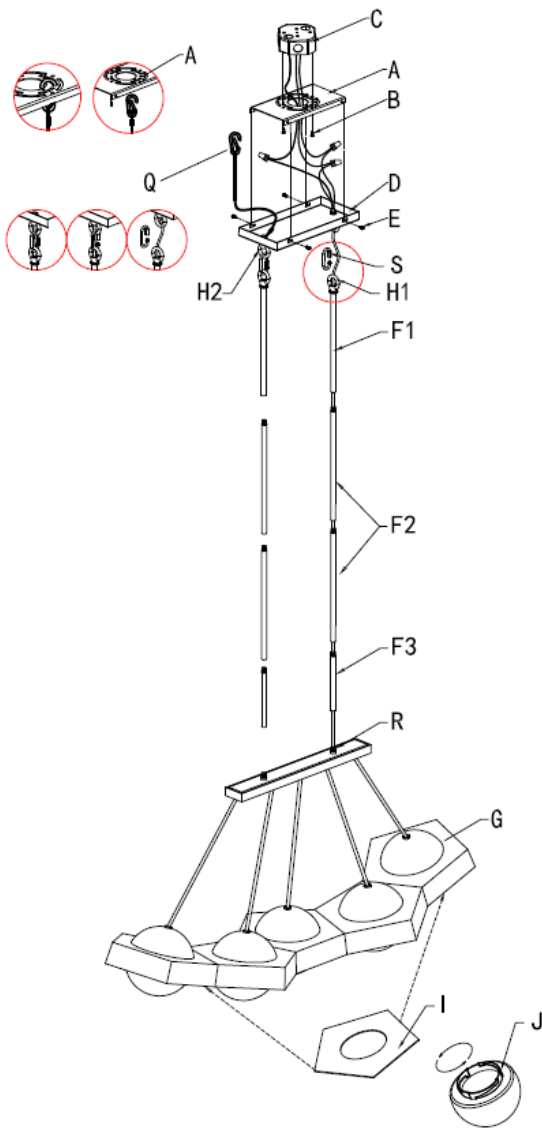
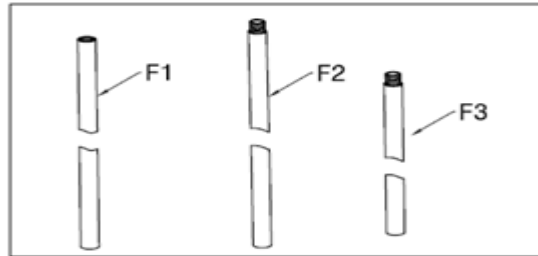


Fig.2



Hardware bag:

- F1.Rod 12**2 Rod# W30-1-044G
- F2.Rod 12**4 Rod# W30-1-044G
- F3.Rod 6" *2 Rod# W30-H-044G

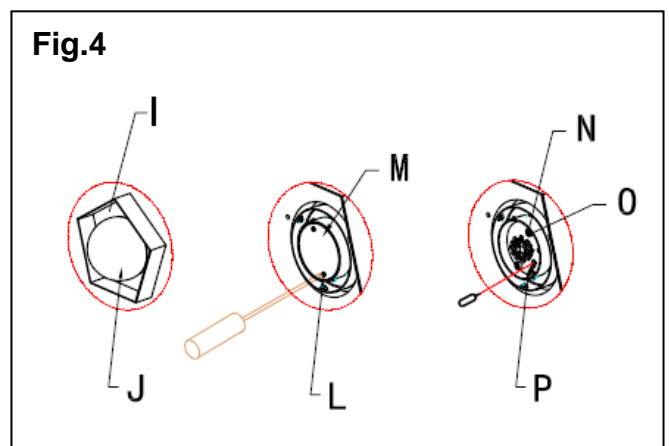


Replacing LED module (Fig. 4)

The LED module can be replaced by a qualified electrician without cutting of wire and without damage to any decorative element to which the fixture is attached. See installation steps for more details (Fig.4.)

- a. Shut off power.
- b. Remove glass (J) and metal plate (I).
- c. Remove screws (L) and the glass diffuser (M).
- d. Remove screws (N) and washers (O).Use a pin to press the hole on the quick connect (P) to disconnect the LED module. Carefully remove the LED module from bracket.
- e. Reverse steps a-d for installing the new LED module.
- f. Note: The LED module should be provided by a specified supplier.

Fig.4



IMPORTANT: Fixture should be installed by a qualified electrician to ensure proper wiring and installation.

Dimmable with ELV and/or LED compatible wall dimmer switches.

