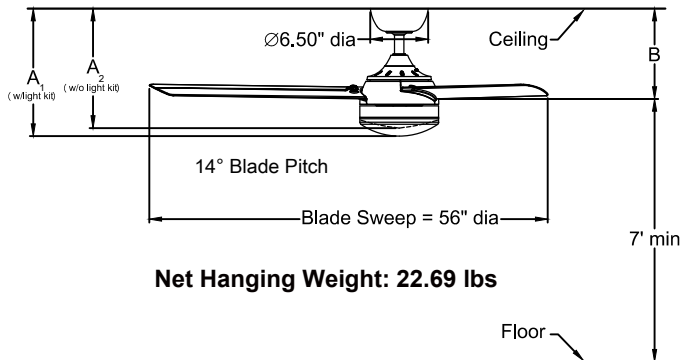


XENO™**FP6728B**
Ceiling Fan**

	A1	A2	B
Fan w/4.5" downrod	14.33"	13.43"	10.20"
Fan w/12" downrod	21.83"	20.93"	17.70"
Fan w/18" downrod	27.83"	26.93"	23.70"
Fan w/24" downrod	33.83"	32.93"	29.70"
Fan w/36" downrod	45.83"	44.93"	41.70"
Fan w/48" downrod	57.83"	56.93"	53.70"
Fan w/60" downrod	69.83"	68.93"	65.70"
Fan w/72" downrod	81.83"	80.93"	77.70"

Available Finish

BN	Brushed Nickel with Brushed Nickel Blade
----	--

INSTALLATION REQUIREMENTS:

Fan must be attached to a securely anchored electrical junction box capable of withstanding a load of at least 35 lbs.

ELECTRICAL REQUIREMENTS:

Requires a grounded electrical supply line of 120 volts AC, 60 Hz, 15 amp circuit.

MOTOR SPECS:

188 x 25 AC motor is designed for optimal performance with this fan.

BLADES:

A set of three 25" composite blades is included.

LIGHTING OPTIONS:

One 18-watt LED included.

CONTROL OPTIONS:

TR500 hand-held remote control is included. Push button remote control with variable fan speeds, infinite light levels and off button. Optional CWRL4**, WC2WH and WR501WH wall controls, BTCR9, CRL4WH hand held remote controls and BTR9 and WFR50 receiver are available —sold separately. Instructions are provided with each control.

DOWNROD OPTIONS:

Fan comes with 1" dia. x 4.5" long downrod (DR1-45). Optional downrods available in 12", 18", 24", 36", 48", 60", and 72" lengths. A downrod coupler is available for installations requiring a downrod longer than 72". Fan can be mounted on a sloped ceiling up to 27°. Most sloped ceiling installations require a downrod longer than the standard 4.5" downrod. Optional sloped ceiling ball kits (SCB1-52) are available for slope angles greater than 27° and up to 42°. Optional close-to-ceiling kit is available as well—sold separately. Call technical support for more information.

LOCATION USE:

Fan is rated for dry and damp locations.

Airflow / Energy Efficiency Info (120V)					
Fan Speed	Max RPM	CFM	CFM / Watts	Amps	Watts
High	197	6605	100	0.55	66
Med	123	4561	135	0.39	34
Low	88	2444	179	0.25	14

Energy Guide FTC

Power (W _{ave})	Total Air Delivery (CFM _{ave})	Estimated Yearly Energy Cost (\$)	Ceiling Fan Efficiency (CFM/W)
44	4654	12	106

Light Bulb Information (120V)

Bulb Type	Watts	Lumens Amount	Color Temp	CRI
LED	18	1400	3000	90%