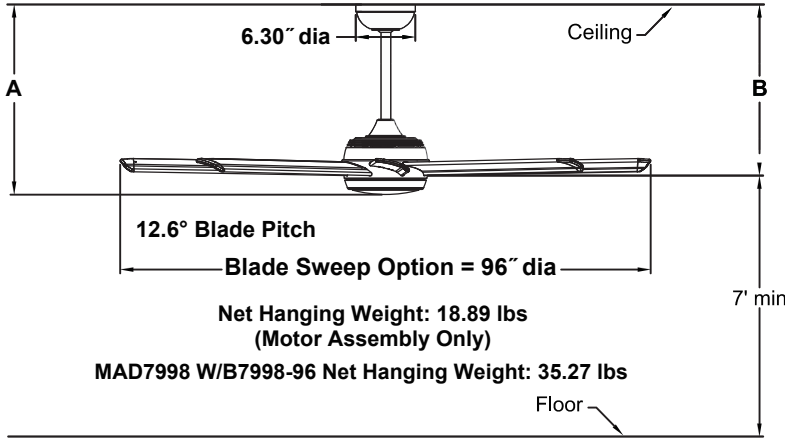


STELLAR™ 96

MAD7998** 96" Ceiling Fan



	A	B
Fan w/12" downrod	20.61"	18.61"
Fan w/18" downrod	26.61"	24.61"
Fan w/24" downrod	32.61"	30.61"
Fan w/36" downrod	44.61"	42.61"
Fan w/48" downrod	56.61"	54.61"
Fan w/60" downrod	68.61"	66.61"
Fan w/72" downrod	80.61"	78.61"

INSTALLATION REQUIREMENTS:

Fan must be attached to a securely anchored electrical junction box capable of withstanding a load of at least 35 lbs.

ELECTRICAL REQUIREMENTS:

Requires a grounded electrical supply line of 120 volts AC, 60 Hz, 15 amp circuit.

MOTOR SPECS:

DC153 x 25 sensorless Neodymium Fe Boron DC motor is designed for optimal performance with this fan.

BLADES:

A set of eight 45" aluminum blades—sold separately.

LIGHTING OPTIONS:

One 18-watt CCT LED (3000K/4000K/5000K) included.

CONTROL OPTIONS:

A WiFi receiver and TR305 hand-held remote control are included. Push button remote control with 16 fan speeds, fresh air, reverse, ON/OFF dimmer light levels, CCT Select (correlated color temperature selection), fan/light timer, home away, safe exit and off button. Visit the Apple APP Store or Google Play Store to download the free fanSync WiFi APP and create your Fanimation fanSync account. Optional TW306 wall control is available — sold separately. Instructions are provide with each control.

DOWNROD OPTIONS:

Fan comes with 1" dia. x 12" long wet-location downrod (DR1SS-12). Optional wet-location downrods are available in 18", 24", 36", 48", 60", and 72" lengths. A downrod coupler is available for installations requiring a downrod longer than 72". Fan can be mounted on a sloped ceiling up to 27°. Most sloped ceiling installations require a standard 36" downrod or longer downrod. Optional sloped ceiling ball kits (SCB1-52) are available for slope angles greater than 27° and up to 42°. Optional close-to-ceiling kit is available as well-sold separately. Call technical support for more information.

LOCATION USE:

Fan is rated for dry, damp and wet locations. This fan is for room over 400 sq ft.

Available Finishes	
Fan / Housing	
BLW	Black with Silver Top Plastic Ring and bottom Glass Ring and Black Steel Cap
SLW	Silver with Black Top Plastic Ring and bottom Glass Ring and Silver Steel Cap
Blades Options	
<ul style="list-style-type: none"> • Black with Silver Tips • Silver with Black Tips 	

Airflow / Energy Efficiency Info (120V)					
Fan Speed	Max RPM	CFM	CFM / Watts	Amps	Watts
High (16 th)	60	12965	371	0.55	35
Med (9 th)	49	10513	562	0.30	19
Low (1 th)	29	6148	1220	0.10	5

Energy Guide FTC			
Power (W _{ave})	Total Air Delivery (CFM _{ave})	Estimated Yearly Energy Cost (\$)	Ceiling Fan Efficiency (CFM/W)
23	9770	7	418

Light Bulb Information (120V)					
Bulb Type	Watts	QTY	Lumens Amount	Color Temp	CRI
LED	18	1	1600	3000/4000/5000	90%