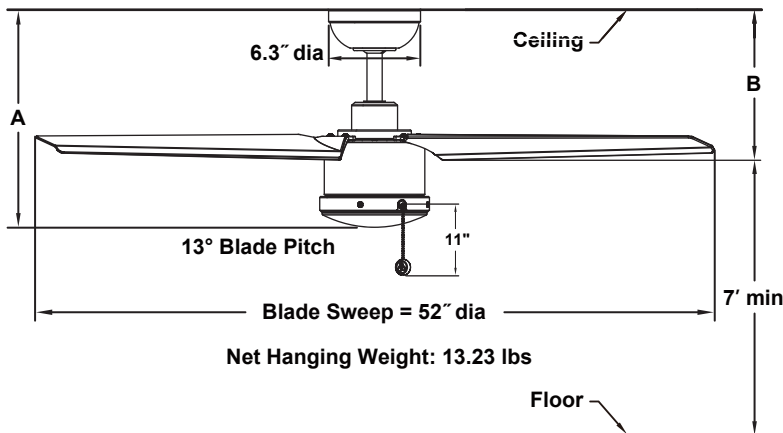
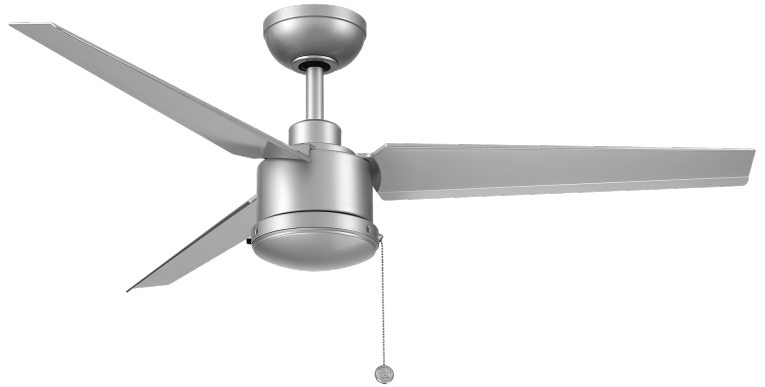


PC/DC™ NL

FPD7617**

52" Ceiling Fan



	A	B
Fan w/6" downrod	14.91"	10.24"
Fan w/12" downrod	20.91"	16.24"
Fan w/18" downrod	26.91"	22.24"
Fan w/24" downrod	32.91"	28.24"
Fan w/36" downrod	44.91"	40.24"
Fan w/48" downrod	56.91"	52.24"
Fan w/60" downrod	68.91"	64.24"
Fan w/72" downrod	80.91"	76.24"

INSTALLATION REQUIREMENTS:

Fan must be attached to a securely anchored electrical junction box capable of withstanding a load of at least 35 lbs.

ELECTRICAL REQUIREMENTS:

Requires a grounded electrical supply line of 120 volts AC, 60 Hz, 15 amp circuit.

MOTOR SPECS:

100 x 30 DC motor is designed for optimal performance with this fan.

BLADES:

A set of three 24" composite blades is included.

CONTROL OPTIONS:

Three fan speeds pull chain control included. The reverse switch is located on the switch housing.

DOWNROD OPTIONS:

Fan comes with 1" dia. x 6" long wet-location downrod (DR1SS-6). Optional wet-location downrods are available in 12", 18", 24", 36", 48", 60", and 72" lengths. A downrod coupler is available for installations requiring a downrod longer than 72". Fan can be mounted on a sloped ceiling up to 27°. Most sloped ceiling installations require a standard 18" downrod or longer downrod. Optional sloped ceiling ball kits (SCB1-52) are available for slope angles greater than 27° and up to 42°. Optional close-to-ceiling kit is available as well — sold separately. Call technical support for more information.

LOCATION USE:

Fan is rated for dry, damp and wet locations. This fan is for room up to 400 sq ft.

Available Finishes

BLW	Black with Black Blade
MWW	Matte White with Matte White Blade
SLW	Silver with Silver Blade

Airflow / Energy Efficiency Info (120V)

Fan Speed	Max RPM	CFM	CFM / Watts	Amps	Watts
High	171	5664	201	0.44	28
Med	114	3693	449	0.16	8
Low	54	1641	902	0.06	2

Energy Guide FTC

Power (W _{ave})	Total Air Delivery (CFM _{ave})	Estimated Yearly Energy Cost (\$)	Ceiling Fan Efficiency (CFM/W)
19	3813	5	202