

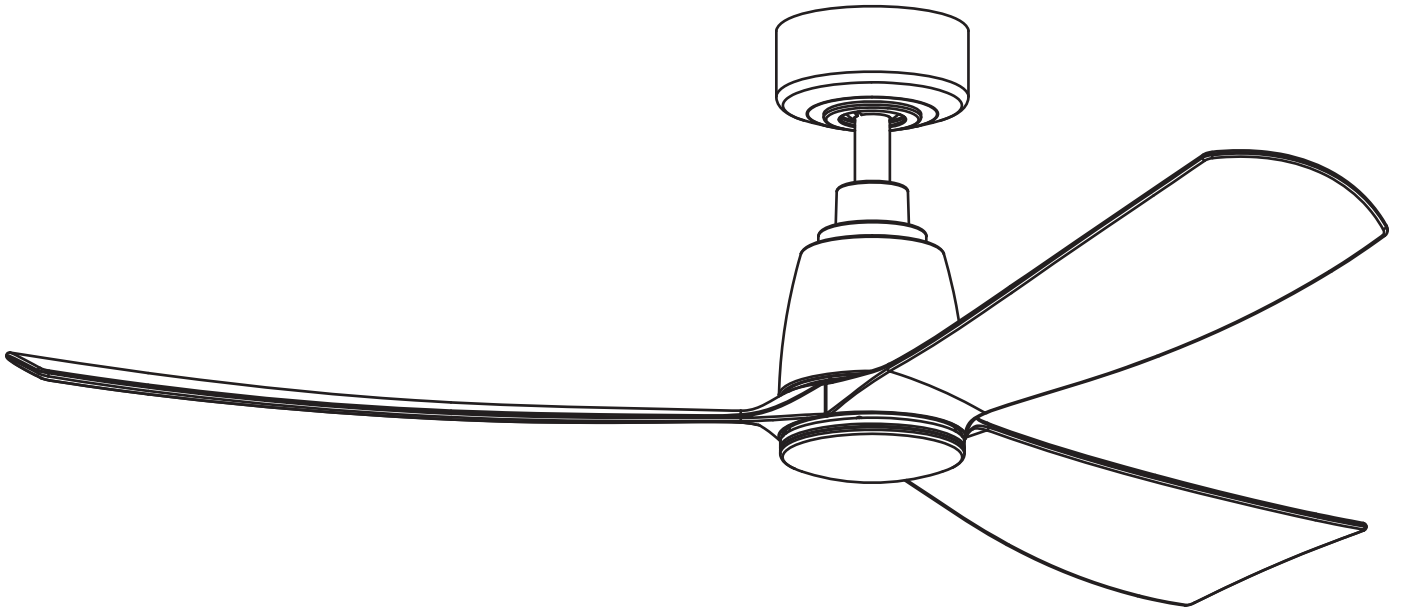


FANIMATION®
SHOWROOM COLLECTION

KUTE™ 52 CEILING FAN

MODEL #FPD8534**

Español p. 25



**ATTACH YOUR RECEIPT HERE AND REGISTER YOUR FAN AT FANIMATION.COM
READ AND SAVE THESE INSTRUCTIONS**



Date Code _____ **Purchase Date** _____ Net Weight 12.30 lbs (5.58 kgs)

For best and quickest service please provide date code. You can find the date code on the carton, hand-held remote (inside of the battery compartment), receiver or top of fan housing.



Questions, problems, missing parts? Before returning to your retailer, call our customer service department at 1-888-567-2055, 8 a.m.-5 p.m., EST, Monday-Friday.

Important Safety Instructions

WARNING: To avoid fire, shock and serious personal injury, follow these instructions.

1. Read your owner's manual and safety information before installing your new fan. Review the accompanying assembly diagrams.
2. Before servicing or cleaning unit, switch power off at service panel and lock service panel disconnecting means to prevent power from being switched on accidentally. When the service disconnecting means cannot be locked, securely fasten a warning device, such as a tag, to the service panel.
3. Be careful of the fan and blades when cleaning, painting, or working near the fan. Always turn off the power to the ceiling fan before servicing.
4. Do not insert anything into the fan blades while the fan is operating.
5. Do not operate reversing switch until fan blades have come to a complete stop.
6. The appliance is not intended for use by young children or infirm persons without supervision. Young children should be supervised to ensure that they do not play with the appliance.

Additional Safety Instructions

1. To avoid possible shock, be sure electricity is turned off at the fuse box before wiring, and do not operate fan without blades.
2. All wiring and installation procedures must satisfy National Electrical Codes (ANSI/ NFPA 70) and Local Codes. The ceiling fan must be grounded as a precaution against possible electrical shock. Electrical installation should be made or approved by a licensed electrician.
3. The fan base must be securely mounted and capable of reliably supporting at least 35 lbs. See page 5 of owner's manual for support requirements. Consult a qualified electrician if in doubt.
4. The fan must be mounted with the fan blades at least 7 feet from the floor to prevent accidental contact with the fan blades.
5. Follow the recommended instructions for the proper method of wiring your ceiling fan. If you do not have adequate electrical knowledge or experience, have your fan installed by licensed electrician.
6. Suitable for use with solid-state speed controls.
7. This fan is to be used in damp locations.
8. Use only with light kits marked suitable for use in damp locations.
9. For supply connections, if the conductor of a fan is identified as a grounded conductor, then it should be connected to a grounded conductor power supply. If the conductor of a fan is identified as an ungrounded conductor, then it should be connected to an ungrounded conductor power supply. If the conductor of a fan is identified for equipment grounding, then it should be connected to an equipment grounding conductor.
10. The remote control of this product contain lithium button/coin cell batteries. If a new or used lithium button/coin cell battery is swallowed or enters the body, it can cause severe internal burns and can lead to death in as little as 2 hours. Always completely secure the battery compartment. If the battery compartment does not close securely, stop using the remote control of the product, remove the batteries, and keep it away from children. If you think batteries might have been swallowed or placed inside any part of the body, seek immediate medical attention.
 - The cells shall be disposed of properly, including keeping them away from children.
 - Even used cells may cause injury.
11. Turn off wall control can override any smart enabled appliance or remote control commands.

WARNING: Chemical Burn Hazard. Keep batteries away from children.

WARNING: TO REDUCE THE RISK OF ELECTRIC SHOCK, THIS FAN MUST BE INSTALLED WITH A GENERAL USE ISOLATING WALL CONTROL/SWITCH.

WARNING: This product is designed to use only those parts supplied with this product and/or accessories designated specifically for use with this product. Using parts and/or accessories not designated for use with this product could result in personal injury or property damage.

WARNING: To reduce the risk of personal injury, do not bend the blade bracket (flange or blade holder) when installing the brackets, balancing the blades, or cleaning the fan. Do not insert foreign objects in between rotating fan blades.

WARNING: Do not operate this fan with a variable (Rheostat) wall controller or dimmer switch. Doing so could result in damage to the ceiling fan's remote control unit.

WARNING: Mount to an outlet box marked acceptable for fan support of 15.9 kg (35 lbs) or Less.

This device complies with Part 15 of the FCC Rules. Operation is subject to the following two conditions:

(1) This device may not cause harmful interference, and (2) this device must accept any interference received, including interference that may cause undesired operation. Please note that changes or modifications not expressly approved by the party responsible for compliance could void the user's authority to operate the equipment.

Note: This equipment has been tested and found to comply with the limits for Class B digital device, pursuant to part 15 of the FCC Rules. These limits are designed to provide reasonable protection against harmful interference in a residential installation.

This equipment generates, uses and can radiate radio frequency energy and, if not installed and used in accordance with the instructions, may cause harmful interference to radio or television reception, which can be determined by turning the equipment off and on, the user is encouraged to try to correct the interference by one or more of the following measures:

- Reorient or relocate the receiving antenna.

- Increase the separation between the equipment and the receiver.

- Connect the equipment into an outlet on a circuit different from that to which the receiver is connected.

Consult the dealer or an experienced radio/TV technician for help.

LIMITED LIFETIME WARRANTY

Extends to the original purchaser of a Fanimation fan from an authorized Fanimation dealer/retailer only

1. LIMITED LIFETIME MOTOR WARRANTY - If any part of your fan motor fails, due to a defect in materials or workmanship during the lifetime of the original purchaser, Fanimation will provide the replacement part free of charge, when the defective fan is returned to our national service center. Proof of purchase is required. Customer shall be responsible for all costs incurred in the removal or reinstallation and shipping of the product for repairs or replacement.
2. ONE YEAR MOTOR LABOR WARRANTY - If your fan motor fails at any time within one year from the original purchase, due to defects in materials or workmanship, labor to repair the motor will be provided free of charge at our national service center. Purchaser will be responsible for labor charges after this one-year period. Customer shall be responsible for all costs incurred in the removal or reinstallation and shipping of the product for repairs or replacement.
3. If any other part of your fan fails at any time within three years after original purchase, due to a defect in materials or workmanship, we will repair, or replace, at our option, the defective part free of charge for parts and labor performed at our national service center.
4. If any other part of your light kit fails at any time within five years after original purchase, due to a defect in materials or workmanship, we will repair, or replace, at our option, the defective part free of charge for parts and labor performed at our national service center.
5. Because of varying climate conditions, this warranty does not cover changes in the finish, including rusting, pitting, corroding, tarnishing, or peeling.
6. This warranty is void and does not apply to damage from improper installation, neglect, accident, misuse, exposure to extremes of heat or humidity, or as a result of any modification to the original product.
7. All costs of removal and reinstallation of the fan are the sole responsibility of the owner of the fan and not the store that sold the fan or Fanimation.
8. Fanimation reserves the right to modify or discontinue any product at any time and may substitute any part under this warranty.
9. Under no circumstances may a fan be returned without prior authorization from Fanimation. The receipt of purchase must accompany authorized returns and must be sent freight prepaid to Fanimation. The fan to be returned must be properly packed to avoid damage in transit; Fanimation will not be responsible for any damage resulting from improper packaging.
10. It is understood that any repair or replacement is the exclusive remedy available from Fanimation. There is no other expressed or implied warranty. Fanimation hereby disclaims any and all implied warranties, including, but not limited to those of merchantability and fitness for a particular purpose to the extent permitted by law. Some states do not allow limitations on implied warranties. Fanimation will not be liable for incidental, consequential, or special damages arising out of or in conjunction with product use or performance, except as may otherwise be accorded by law. This warranty gives you special legal rights and you may also have other rights that vary from state to state.
11. A certain amount of wobble is normal and should not be considered a problem or a defect.

Table of Contents

Unpacking Instructions	4	How to Install Your Remote Control	16
Energy Efficient Use of Ceiling Fans	5	How to Set Up the fanSync WiFi APP	17
Electrical and Structural Requirements	5	Maintenance	20
How to Assemble Your Ceiling Fan	7	How to Clean Your Ceiling Fan Blades	20
How to Hang Your Ceiling Fan	9	Troubleshooting	20
How to Wire Your Ceiling Fan	10	Parts List	21
How to Install Your Canopy Housing	12	Exploded-View Illustration	22
How to Assemble Your Ceiling Fan Blades and Cap	13	Optional Light Kit	23
How to Operate Your Ceiling Fan	14		

This manual is designed to make it as easy as possible for you to assemble, install, operate and maintain your ceiling fan

Tools Needed for Assembly (Not Included)

- One Phillips head screwdriver
- One stepladder
- One ¼" blade screwdriver
- One wire stripper

Materials

Wiring outlet box and box connectors must be of type required by local code. The minimum wire would be a 3-conductor (2-wire with ground) of the following size:

Installed Wire Length	Wire Size A.W.G.
Up to 50 ft.	14
50-100 ft.	12

NOTE: Place the parts from the loose parts bags in a small container to keep them from being lost. If any parts are missing, contact your local retailer.

⚠ WARNING

Before assembling your ceiling fan, refer to section on proper method of wiring your fan (page 10). If you feel you do not have enough wiring knowledge or experience, have your fan installed by a licensed electrician.

Unpacking Instructions

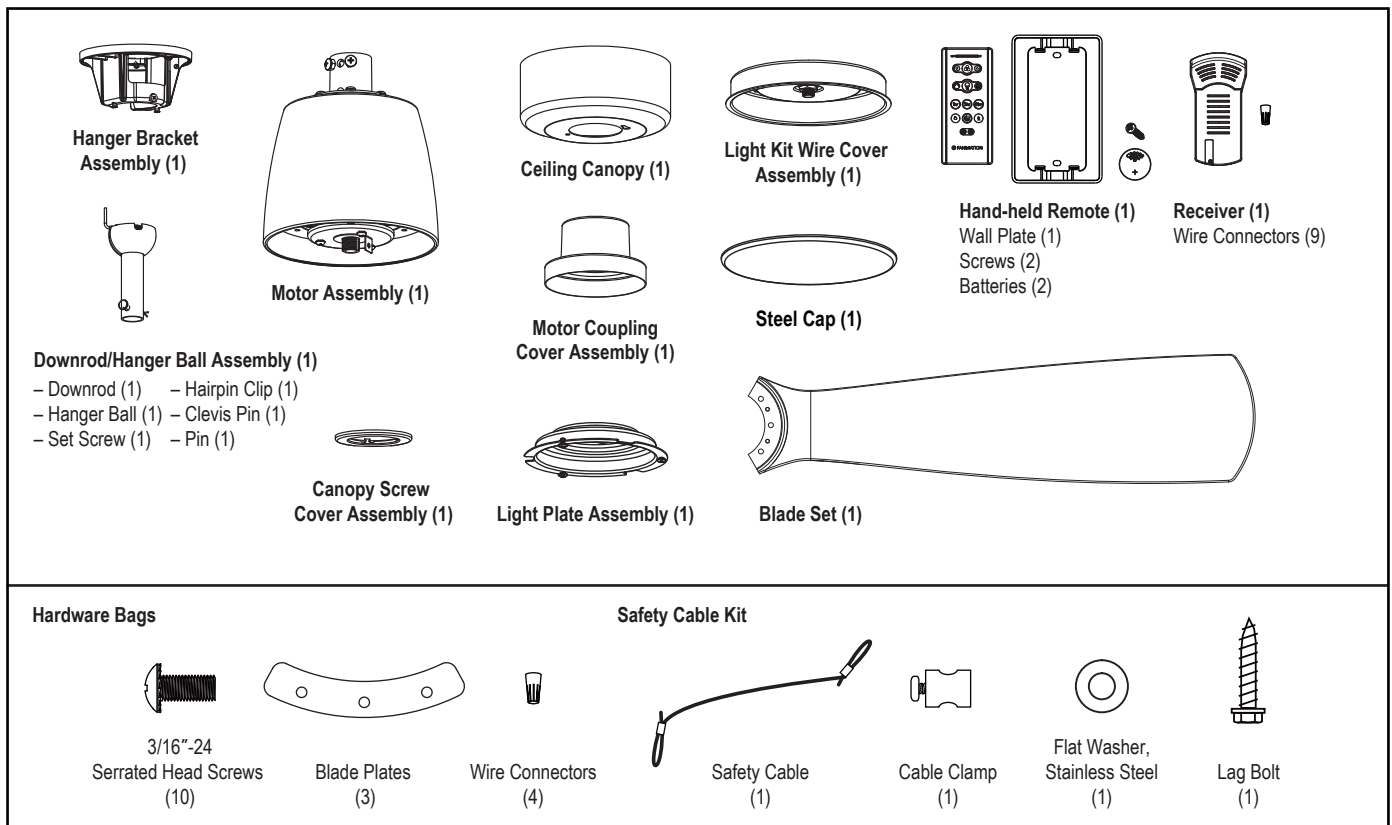
For your convenience, check-off each step. As each step is completed, place a check mark. This will ensure that all steps have been completed and will be helpful in finding your place should you be interrupted.

⚠ WARNING

Do not install or use fan if any part is damaged or missing. This product is designed to use only those parts supplied with this product and/or any accessories designated specifically for use with this product by Fanimation. Substitution of parts or accessories not designated for use with this product by Fanimation could result in personal injury or property damage. Contact your retail store for missing or damaged parts.

1. Check to see that you have received the following parts:

NOTE: If you are uncertain of part description, refer to exploded view illustration.



Energy Efficient Use of Ceiling Fans

Ceiling fan performance and energy savings rely heavily on the proper installation and use of the ceiling fan. Here are a few tips to ensure efficient product performance.

Choosing the Appropriate Mounting Location

Ceiling fans should be installed, or mounted, in the middle of the room and at least 7 feet from floor to the blade and 18 inches from wall to the blade. If ceiling height allows, install the fan 8 - 9 feet from floor to the blade for optimal airflow. Consult your Fanimation Retailer for optional mounting accessories.

Turn Off When Not in the Room

Ceiling fans cool people, not rooms. If the room is unoccupied, turn off the ceiling fan to save energy.

Using the Ceiling Fan Year Round

Summer Season: Use the ceiling fan in the counterclockwise direction. The airflow produced by the ceiling fan creates a wind-chill effect, making you “feel” cooler. Select a fan speed that provides a comfortable breeze, lower speeds consume less energy.

Winter Season: Reverse the motor and operate the ceiling fan at low speed in the clockwise direction. This produces a gentle updraft, which forces warm air near the ceiling down into the occupied space. Remember to adjust your thermostat when using your ceiling fan—additional energy and dollar savings could be realized with this simple step!

Electrical and Structural Requirements

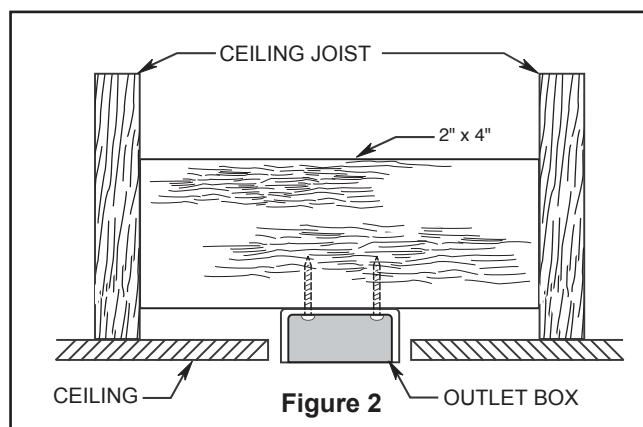
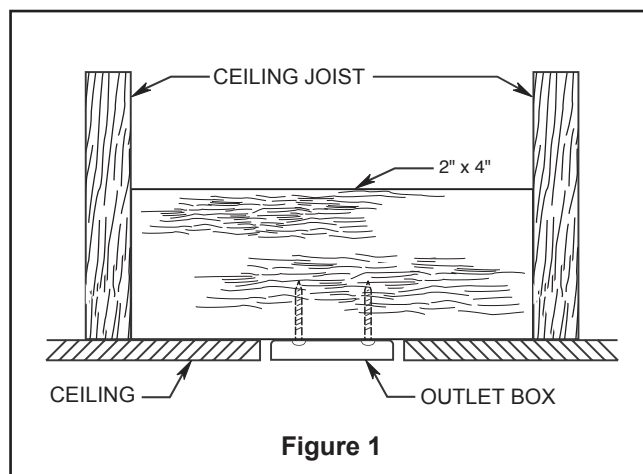
Your new ceiling fan will require a grounded electrical supply line of 120 volts AC, 60 HZ, 15 Amp Circuit. Electrical code requires use of a fan-rated outlet box to support the extra weight and motion associated with a ceiling fan. A fan-rated box will be labeled as such and typically supports up to a 70lb ceiling fan. Fan-Rated Outlet Boxes vary in ratings and design. Ensure the ratings of your ceiling fan outlet box meet the requirements for the ceiling fan being installed. Figure 1, Figure 2 and Figure 3 depicts different structural configurations that may be used for mounting the outlet box.

Low profile box (Figure 1)

A 1/2-in.-deep pancake box is meant to be screwed to a joist or block. It's used if only one cable is coming into the box. It is also available in a saddle-mount configuration.

Deep box (Figure 2)

A 2-1/4-in.-deep box can be attached to blocking between joists and is roomy enough to handle more than one cable.



Electrical and Structural Requirements (Continued)

Deep box with brace (Figure 3)

Paired with a deep box, this hanger is meant to span between two joists and takes the place of wooden blocking.

⚠ WARNING

To reduce the risk of fire, electric shock, or personal injury, mount to outlet box marked acceptable for fan support of 15.9 kg (35 lbs) or less and use mounting screws provided with the outlet box. Most outlet boxes commonly used for the support of luminaires are not acceptable for fan support and may need to be replaced, consult a qualified electrician if in doubt.

If your fan is to replace an existing light fixture, turn electricity off at the main fuse box at this time and remove the existing light fixture.

⚠ WARNING

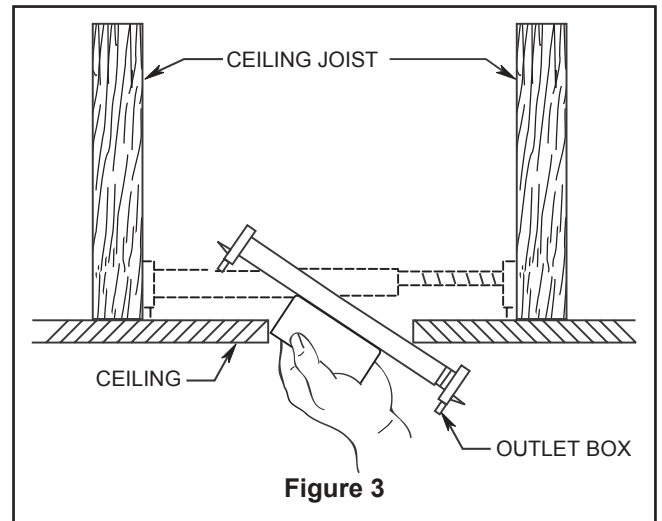
Turning off wall switch is not sufficient. To avoid possible electrical shock, be sure electricity is turned off at the main fuse box before wiring. All wiring must be in accordance with National and Local codes and the ceiling fan must be properly grounded as a precaution against possible electrical shock.

⚠ WARNING

To avoid fire or shock, follow all wiring instructions carefully. Any electrical work not described in these instructions should be done or approved by a licensed electrician.

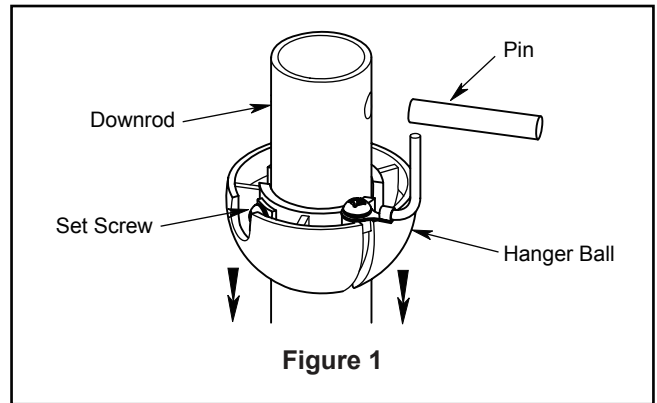
⚠ WARNING

Do not operate this fan with a variable (Rheostat) wall controller or dimmer switch. Doing so could result in damage to the ceiling fan's remote control unit.

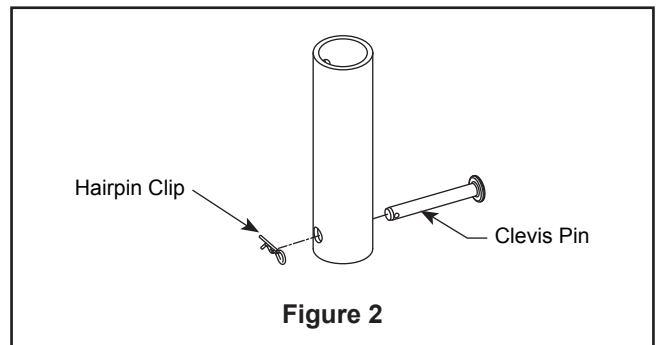


How to Assemble Your Ceiling Fan

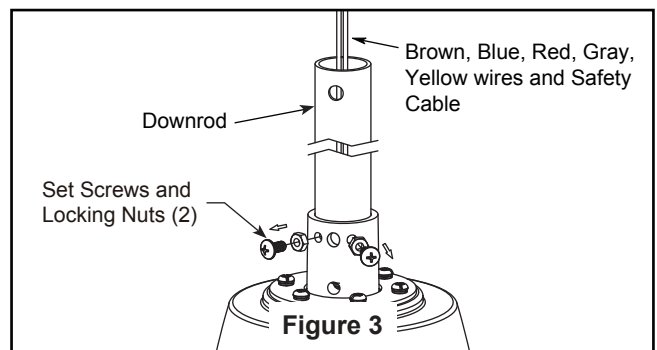
1. Remove the hanger ball portion from the downrod/hanger ball assembly by loosening the set screw in the hanger ball until the ball falls freely down the downrod. Remove the pin from the downrod, then remove the hanger ball. Retain the pin and hanger ball for reinstallation in Step 6. (Figure 1)



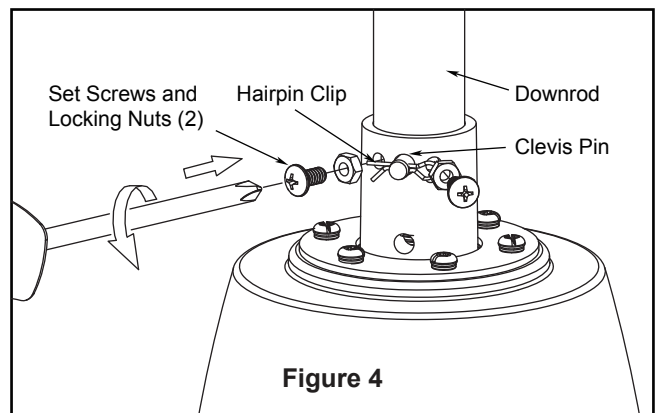
2. Remove the hairpin clip and clevis pin from the bottom of the downrod. Retain the pin and clip for reinstallation in Step 4. (Figure 2)



3. Loosen the two set screws and locking nuts in the downrod support of the motor assembly. Route the brown, blue, red, gray, yellow wires and safety cable through the downrod. (Figure 3)



4. Slide downrod into the downrod support on top of the motor. Install the clevis pin by aligning the holes in the downrod support with holes in the downrod. Secure clevis pin with hairpin clip. Install and tighten the two previously removed set screws with nuts in the downrod support. (Figure 4)

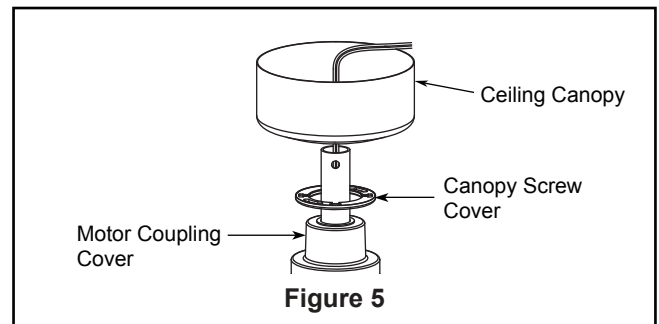


⚠ WARNING

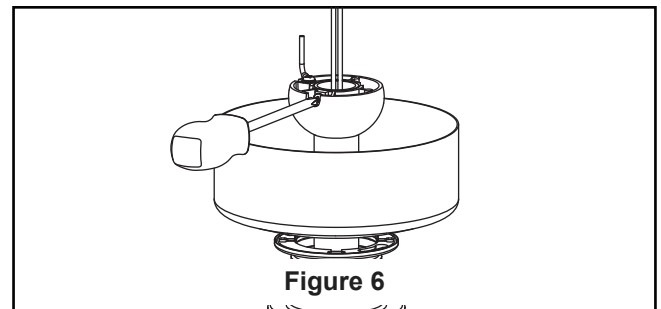
It is critical that the clevis pin in the downrod support is properly installed and the set screws and nuts are securely tightened. Failure to do so could result in the fan falling.

How to Assemble Your Ceiling Fan (Continued)

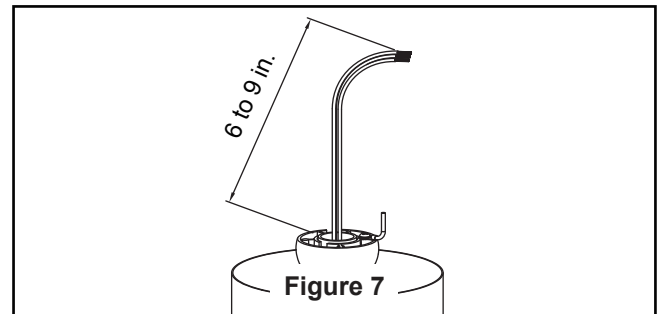
5. Route wires and safety cable through motor coupling cover, canopy screw cover and ceiling canopy. (Figure 5)



6. Reinstall the hanger ball on the downrod as follows. Route the brown, blue, red, gray, yellow wires and safety cable through the hanger ball. Position the pin through the two holes in the downrod and align the hanger ball so the pin is captured in the groove in the top of the hanger ball. Pull the hanger ball up tight against the pin. Securely tighten the set screw in the hanger ball. A loose set screw could cause fan wobble. (Figure 6)



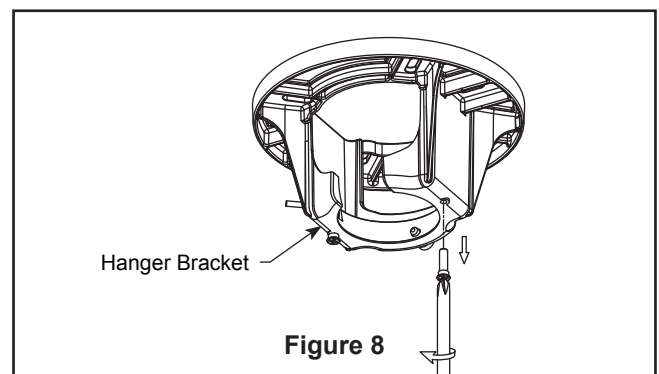
7. Cut off excess lead wire approximately 6 to 9 inches above top of the downrod. Strip insulation off 1/2 inch from the end of each lead wire. (Figure 7)



CAUTION

All set screws must be checked, and retightened where necessary before installation.

8. Remove one of the two shoulder screws in the hanger bracket and retain the screw for later. Loosen the second shoulder screw without fully removing it. (Figure 8)



How to Hang Your Ceiling Fan

⚠ WARNING

To avoid possible fire or shock, be sure electricity is turned off at the main fuse box before hanging. (Figure 1)

NOTE: If you are not sure if the outlet box is grounded, contact a licensed electrician for advice, as it must be grounded for safe operation.

⚠ WARNING

The fan must be hung with at least 7' of clearance from floor to blades. (Figure 2)

CAUTION

Do not connect fan blades until the fan is completely installed. Hanging fan with blades connected may result in damage to the fan blades.

1. Securely attach the hanger bracket to the outlet box using the outlet box screws and washers supplied with the outlet box. (Figure 3)
2. Drill a 1/4" pilot hole into the building structure to prevent splitting or cracking with installation of the lag bolt. Using the 3/8" x 2" lag bolt and flat washer, attach safety cable to ceiling joist or wood structural member. The lag bolt will pass through the flat washer, safety cable loop, and into the building structure. (Figure 3) **NOTE:** Ceiling support cable cannot be secured to outlet box only, it must be directly secured to ceiling joist or structural member using the 3/8" x 2" lag bolt and flat washer. (Figure 3)
3. Make sure the electrical supply wires, including the hanger bracket grounding wire and safety cable are pulled through the downrod, between the hanger bracket and the outlet box so that electrical connections can be made later.

⚠ WARNING

The outlet box must be securely anchored. Hanger bracket must seat firmly against outlet box. If the outlet box is recessed, remove wall board until bracket contacts box. If bracket and /or outlet box are not securely attached, the fan could wobble or fall.

4. Carefully lift the fan and seat the downrod/hanger ball assembly onto the hanger bracket that was just attached to the outlet box. Be sure the groove in the ball is lined up with tab on the hanger bracket. (Figure 4)

⚠ WARNING

Failure to seat tab in groove could cause damage to electrical wires and possible shock or fire hazard.

5. Attach the safety cable to ceiling support cable. Slide cable clamp and washer onto safety cable (from fan). Place the end of cable through the loop of ceiling support cable. Pull as much cable through loop as possible. Feed end of cable into clamp hole and firmly tighten screw. (Figure 4)

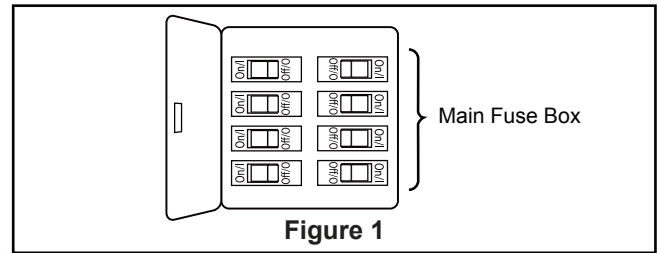


Figure 1

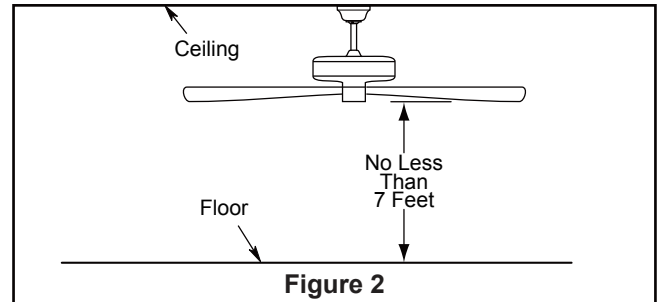


Figure 2

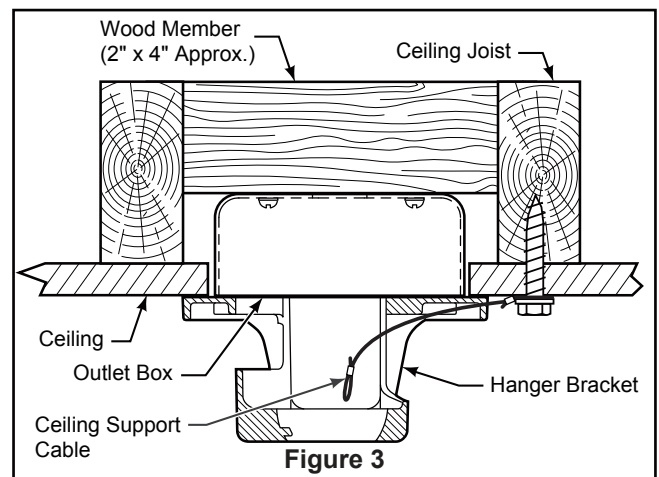


Figure 3

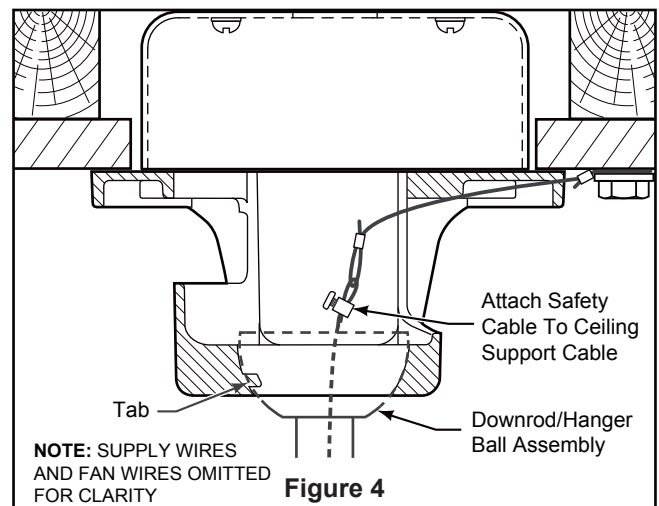


Figure 4

HARDWARE USED:

Cable Clamp  x 1

⚠ WARNING

To avoid possible shock, do not pinch wires between the hanger ball assembly and the hanger bracket.

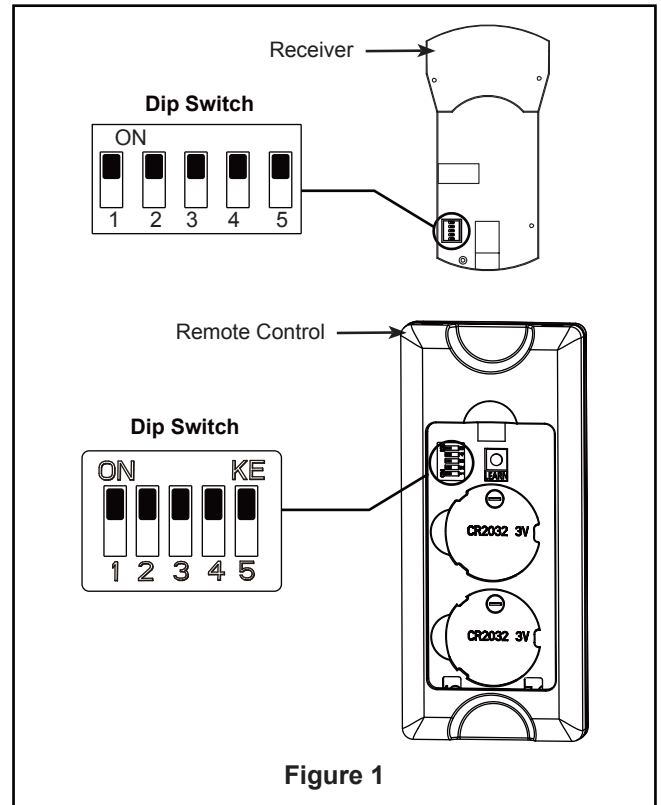
How to Wire Your Ceiling Fan

NOTE: If fan or supply wires are different colors than indicated, have this unit installed by a qualified electrician.

- 1. To set the code on receiver unit, slide dip switches to the same positions as set on the remote control. (Figure 1)

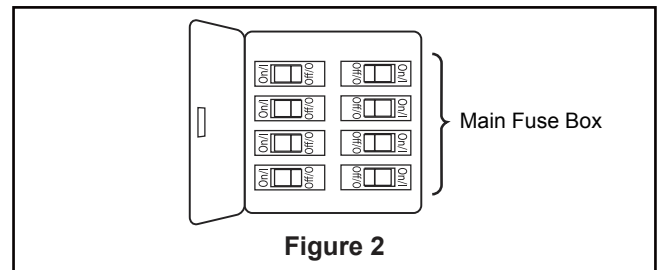
NOTE: The remote unit has 32 different code combinations. To prevent possible interference from or to other remote units, simply change the combination code in the remote and receiver.

NOTE: Factory setting is all up. Do not use this position.

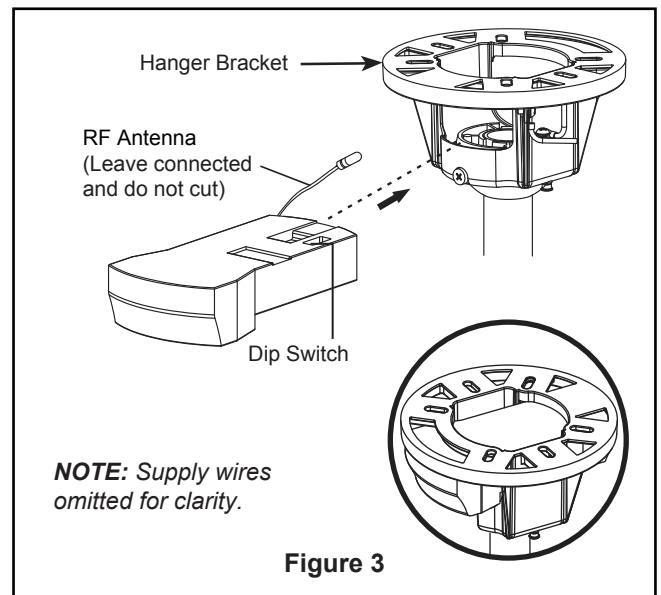


⚠ WARNING
To avoid possible electrical shock, be sure electricity is turned off at the main fuse box before wiring. (Figure 2)

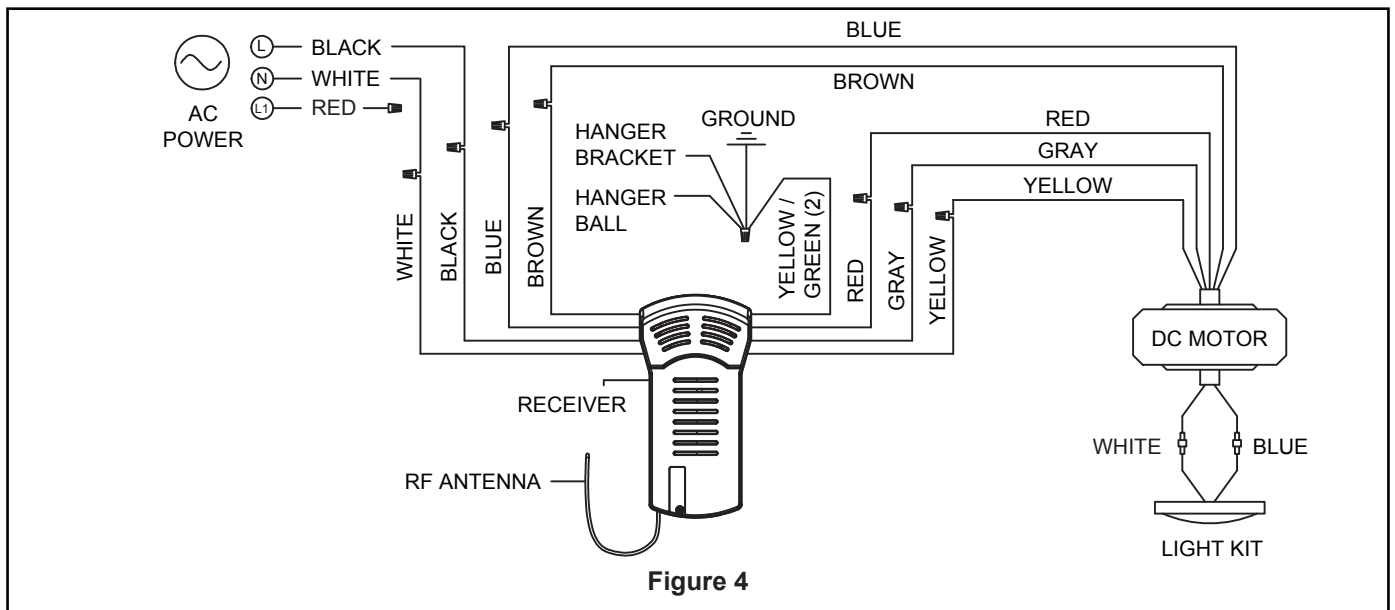
NOTE: If you are not sure if the outlet box is grounded, contact a licensed electrician for advice, as it must be grounded for safe operation.



- 2. Slide the receiver into the hanger bracket before wiring as shown in figure 3.



How to Wire Your Ceiling Fan (Continued)




3. Connect wires using connectors as shown in Figure 4.

WARNING

Check to see that all connections are tight, including ground, and that no bare wire is visible at the wire connectors. Do not operate fan until the blades are in place. Noise and motor damage could result.

CAUTION: INCORRECT WIRE CONNECTION COULD DAMAGE THIS RECEIVER.

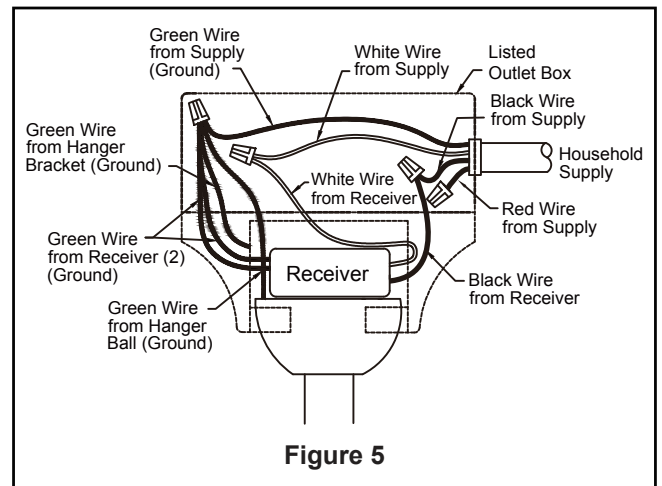
RECEIVER HARDWARE USED:

Wire Connectors  X 9

4. After connections have been made, put the white and green leads to one side and the black leads towards the other side, the connection should be turned upward and carefully push leads into the outlet box. The wires should be spread apart with the grounded conductor and the equipment-grounding conductor on one side of the outlet box and the ungrounded conductor on the other side. (Figure 5)

WARNING

The blades must be installed first before programming is performed.



How to Install Your Canopy Housing

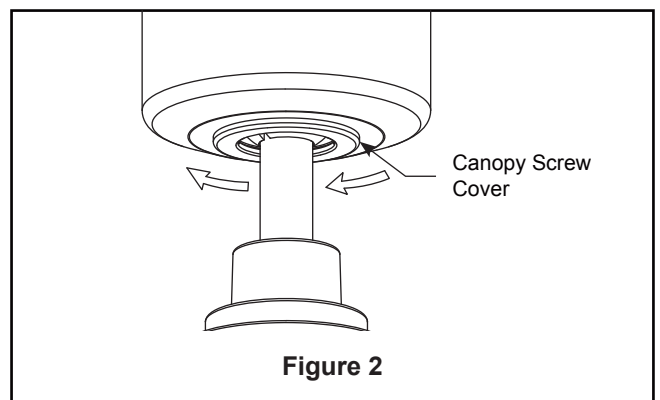
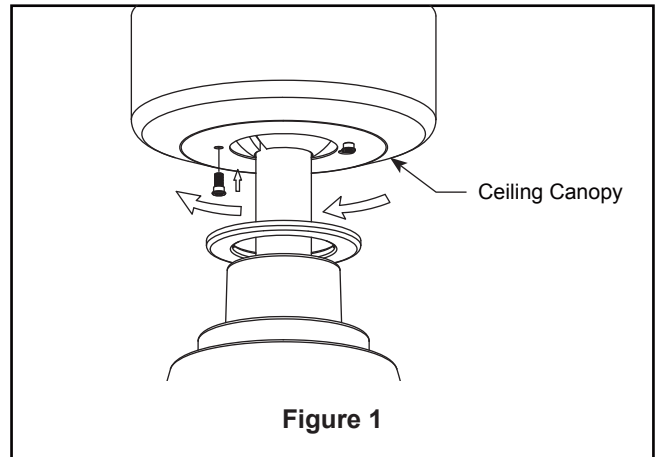
NOTE: This step is applicable after the necessary wiring is completed.

1. Assemble canopy by rotating key slot in canopy over shoulder screw in hanger bracket, taking care not to pinch the wires. Tighten shoulder screw. Fully assemble and tighten second shoulder screw that was previously removed. (Figure 1)

WARNING

To avoid possible fire or shock, make sure that the electrical wires are completely inside the canopy housing and not pinched between the housing and the ceiling.

2. Securely attach and tighten the canopy screw cover over the shoulder screws in the hanger bracket utilizing the key slot twist-lock feature. (Figure 2)



How to Assemble Your Ceiling Fan Blades and Cap

- Align blade holes with posts on the motor assembly flywheel. Make sure the blade is fully seated against the flywheel. Place blade plate over the blade with holes aligned and assemble blade to flywheel using serrated head screws. Fully tighten the screws that attach the blades to the motor assembly flywheel. (Figure 1)

CAUTION

Do not connect fan blades until the fan is completely installed. Installing the fan with blades assembled may result in damage to the fan blades.

WARNING

To reduce the risk of personal injury, do not bend the blades when installing, balancing or cleaning the fan. Do not insert foreign objects in between the rotating blades.

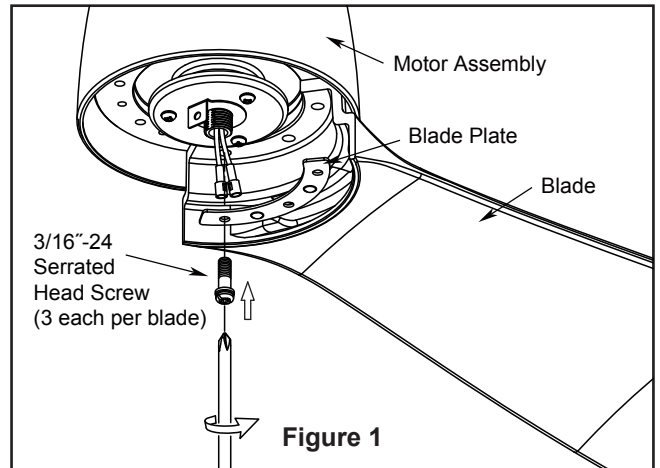


Figure 1

HARDWARE USED:

3/16"-24
Serrated
Head Screw



X 9

Blade Plate



X 3

- Remove one of the three screws in the support bracket at the bottom of the motor assembly and retain the screw for later and slightly loosen the remaining two screws. (Figure 2)

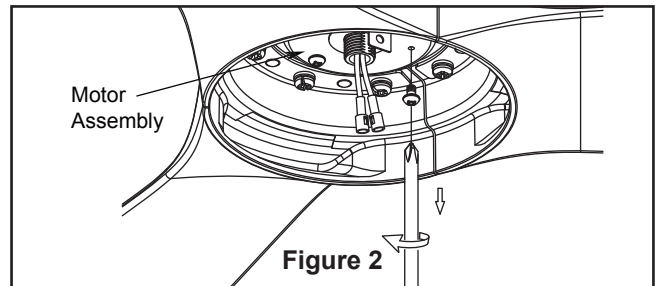


Figure 2

- Assemble the light plate assembly to the support bracket using the two key slots in the light plate assembly. Replace the previously removed screw and securely tighten all three screws. (Figure 3)

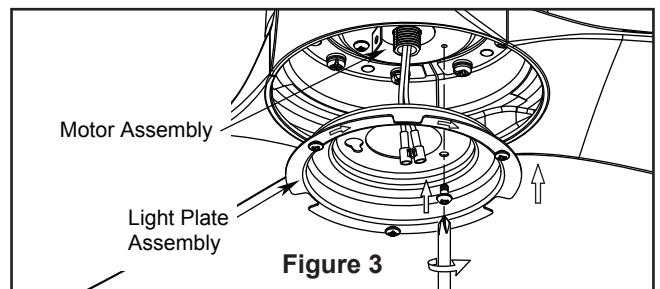


Figure 3

- Remove one of the three screws in the light plate assembly. Retain the screw for later and slightly loosen the remaining two screws. (Figure 4)

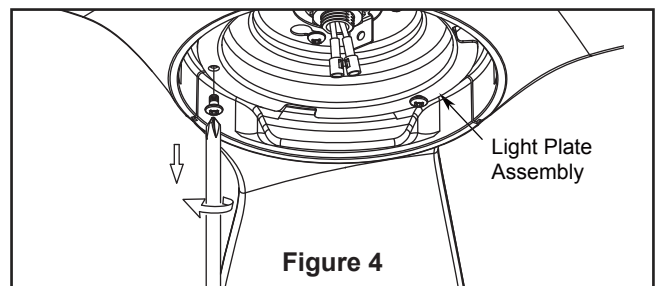
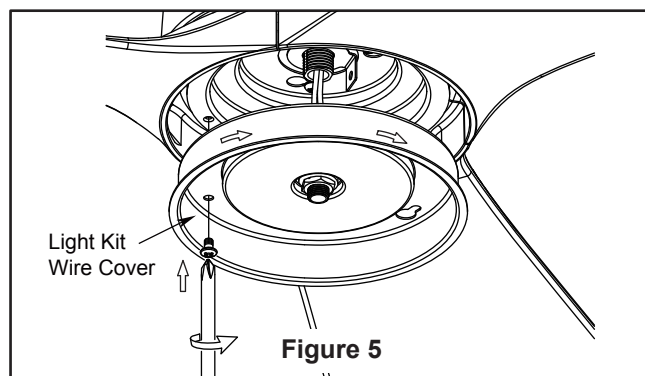


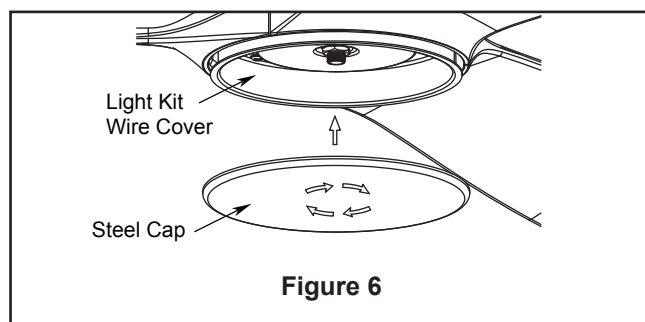
Figure 4

How to Assemble Your Ceiling Fan Blades and Cap (Continued)

5. Assemble the light kit wire cover to the light plate assembly using the two key slots in the light kit wire cover. Replace the previously removed screw and securely tighten all three screws. (Figure 5)

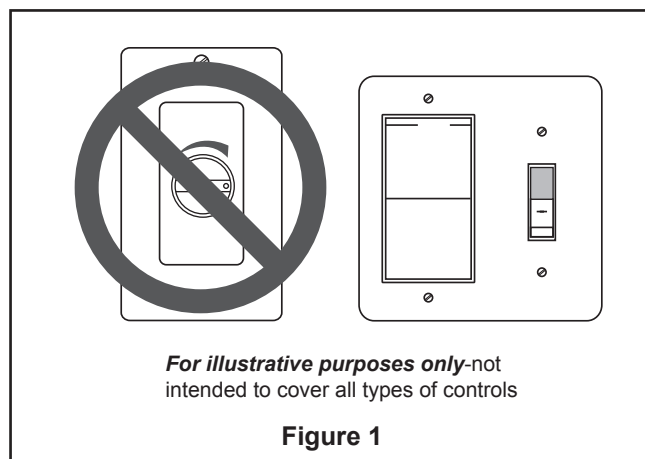


6. Secure the steel cap to light kit wire cover by twisting in a clockwise direction. Do not over-tighten. (Figure 6)



How to Operate Your Ceiling Fan

1. **IMPORTANT:** Using a full range dimmer switch (not included) to control fan speed will damage the fan. To reduce the risk of fire or electrical shock, do not use a full range dimmer switch to control the fan speed. (Figure 1)



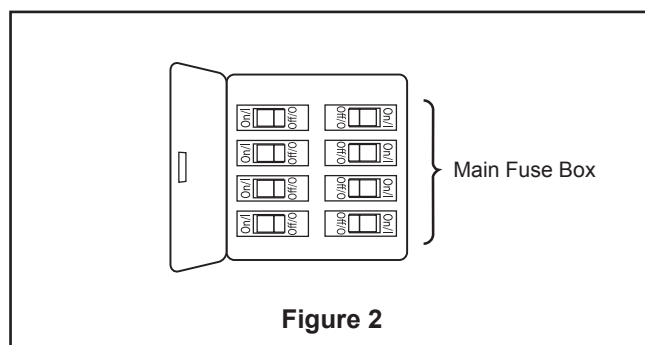
2. Restore electrical power to the outlet box by turning the electricity on at the main fuse box. (Figure 2)

⚠ WARNING

Check to see that all connections are tight, including ground, and that no bare wire is visible at the wire connectors, except for the ground wire. Do not operate fan until the blades are in place. Noise and fan damage could result.

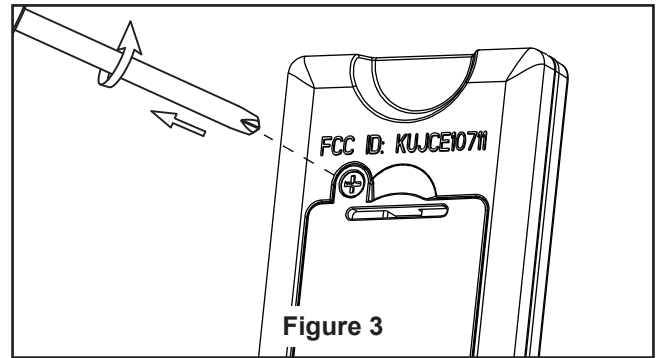
⚠ WARNING

Do not operate this fan with a variable (Rheostat) wall controller or dimmer switch. Doing so could result in damage to the ceiling fan's remote control unit.

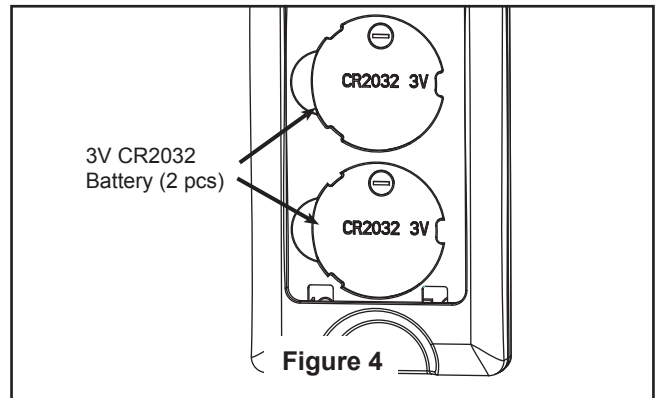


How to Operate Your Ceiling Fan (Continued)

3. Remove the battery cover from remote control by screwdriver and retain the screw for later. (Figure 3)



4. To make fan operational, install two 3V batteries (included) in hand-held remote transmitter, with fan power off. Then, follow the remote code setting process. If not used for long periods of time, remove battery to prevent damage to transmitter. Store the remote away from excessive heat or humidity. (Figure 4)



⚠ WARNING

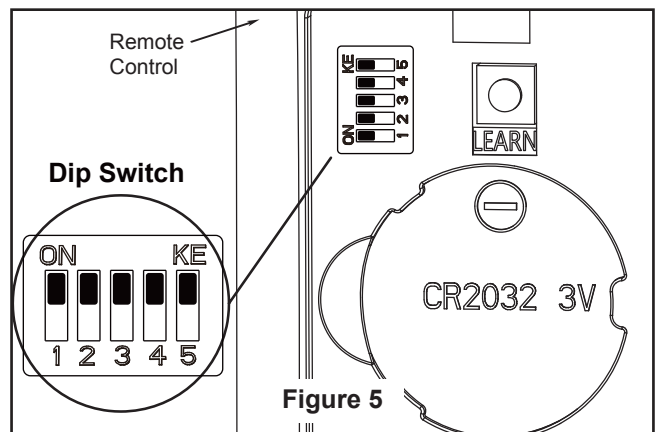
Chemical Burn Hazard. Keep batteries away from children.

5. If you have multiple fans and want to program all fans to one handheld control. Slide the Dip Switches to the same position in ALL receivers as ONE handheld control, then follow Step 1 of the remote control speed set up process. Each fan needs to be no more than 30 feet from the handheld control that you would like to program. Please note the wall switch that controls the power to your fan(s) should be in the off position until you are ready to program your handheld remote(s).
6. If you have multiple fans and want to program each fan to separate handheld controls, slide the Dip Switches to the same position in both receiver and handheld control, then follow Step 1 of the remote control speed set up process below for each fan. Repeat these steps for each fan that you would like to program to a separate handheld remote. Please note that the wall switch that controls the power to your fan(s) should be in the off position until you are ready to program your handheld remote(s).

7. To set the remote code in the same positions as the receiver, use a small screwdriver or ball point pen (neither included) to slide dip switches firmly up or down. (Figure 5)

NOTE: Factory setting is all up. Do not use this position.

NOTE: The remote unit has 32 different code combinations. To prevent possible interference from or to other remote units, simply change the combination code in the remote and receiver.













How to Operate Your Ceiling Fan (Continued)

8. Replace battery cover on the remote control and secure with the previously removed screw. (Figure 6)

9. Remote functions: (Figure 7)

LOW  HI

- Indicator LED light: fan speed and light dimmer indicator
-  button: Tap once to turn off the fan. Press and hold this button for 5 seconds to turn on or turn off the buzzer.
- Fan Speed:
 - △ Turn on fan and turn speed up.
 - ▽ Turn on fan and turn speed down.
-  Light button: Turn ON\OFF the light.
-  Press to turn on the light and hold to dim or brighten light to desired level, then release.
-  Press this button to switch color temperature when the light is on.
- Sleep Timer:
 -  The fan and light will turn off after 1 hour.
 -  The fan and light will turn off after 3 hours.
 -  The fan and light will turn off after 6 hours.
-  Home Away: Tap this button, the light will blink twice signaling this feature is on; the fan will turn off and the light will randomly turn on and off while you are away. Pressing any button will cancel the feature.
-  Fresh Air: Fan speed will modulate to simulate a natural breeze.
-  Safe Exit: Tap once, the light will blink once; fan and light will turn off after 1 minute. Pressing any button will cancel this feature.

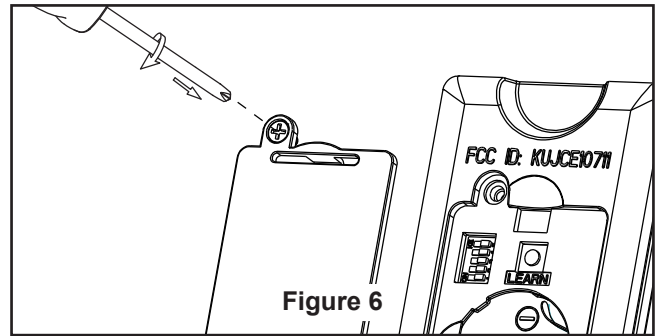


Figure 6

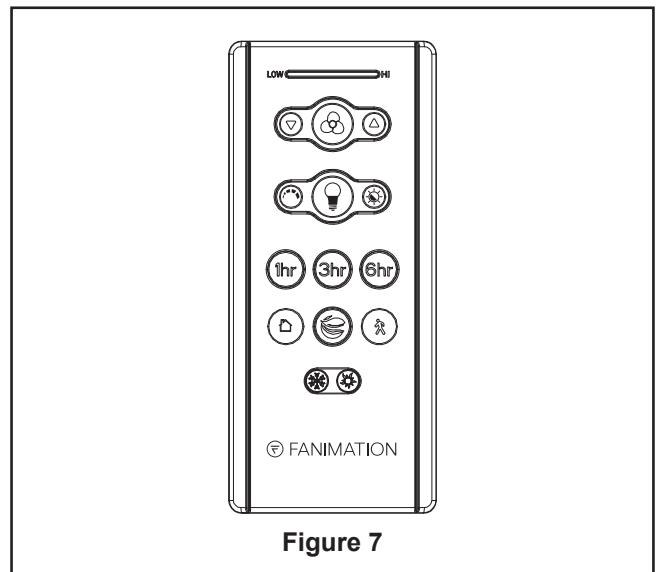





Figure 7

-  Reverse button: In order to reverse the direction of the fan, the fan must be running.
 -  Summer- The fan runs counterclockwise. Airflow will provide a downward cooling breeze.
 -  Winter- The fan runs clockwise. Airflow will force warm air downward without a noticeable breeze.

How to Install Your Remote Control

1. Installing Wall Plate: (Figure 1)
Attach wall plate using the two provided screws.

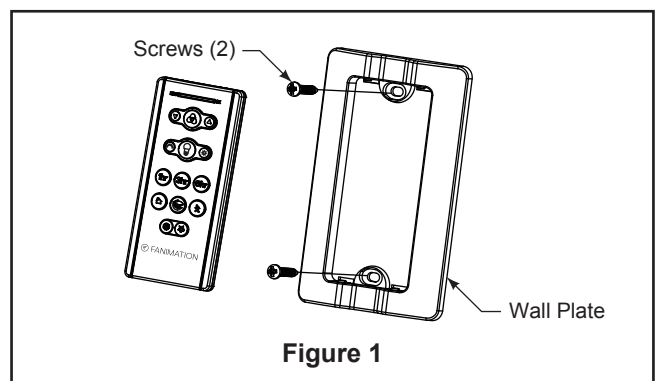
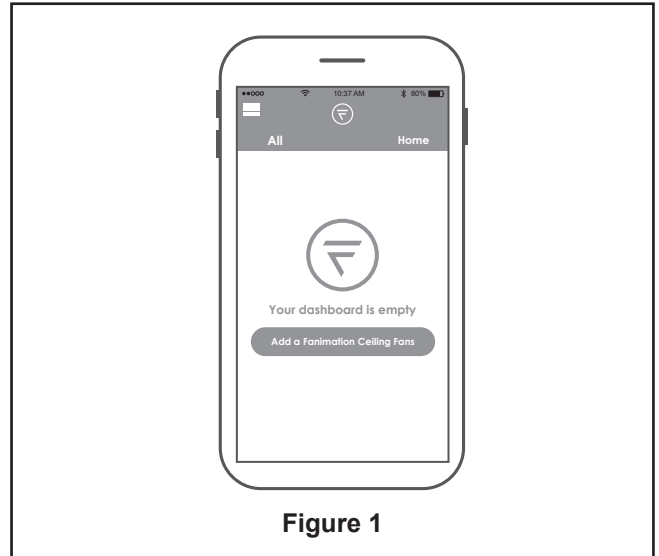


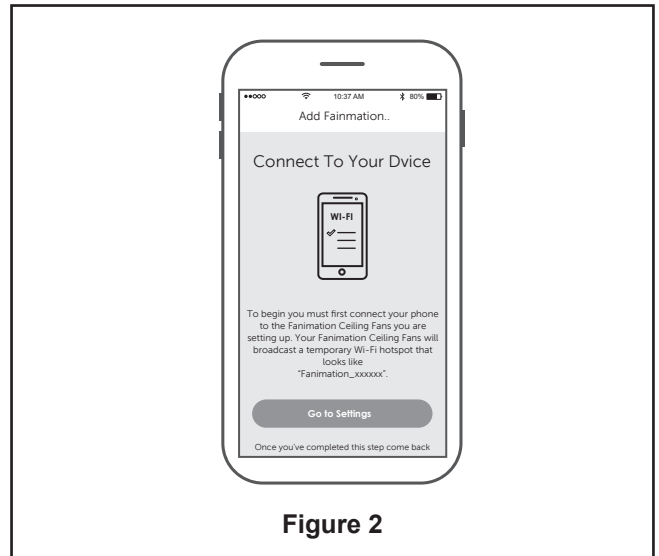
Figure 1

How to Set Up the fanSync WiFi APP

1. Visit the Apple APP Store or the Google Play Store to download the free fanSync WiFi APP. Create your Fanimation fanSync account. (Figure 1)

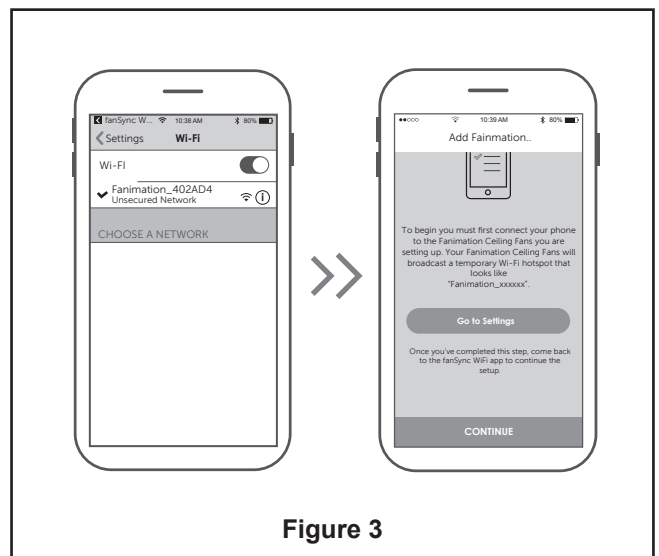


2. At this stage, your ceiling fan WiFi receiver should be installed and within range of your WiFi router. With the APP open, select "add device". (Figure 2)



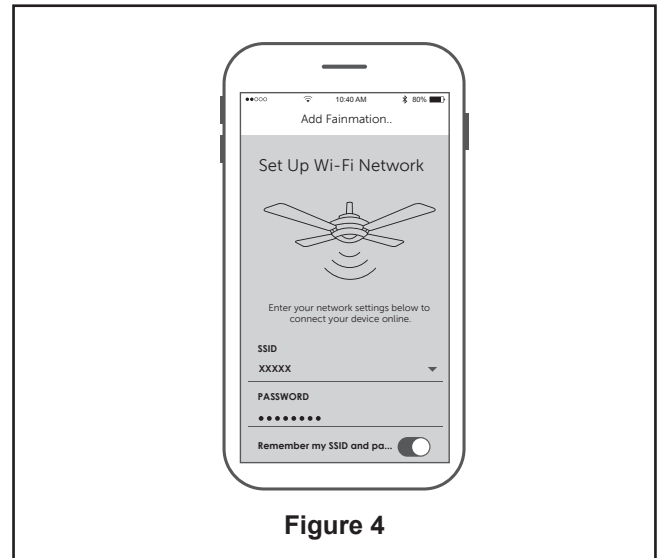
NOTE: The device default WiFi SSID :
Fanimation_XXXXXX (ex: Fanimation_402AD4).

3. Select the Fanimation_XXXXXX device and back to fanSync WiFi APP and press "CONTINUE". (Figure 3)



How to Set Up the fanSync WiFi APP (Continued)

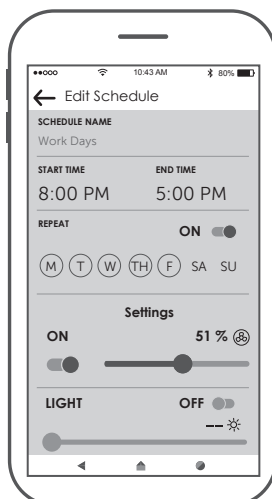
4. Select your WiFi router and enter the WiFi password to connect your fanSync WiFi receiver. It will take 1-2 minutes to connect. After your WiFi receiver is connected, you can now name your ceiling fan in the APP and customize your settings. (Figure 4)



• fanSync WiFi APP Overview



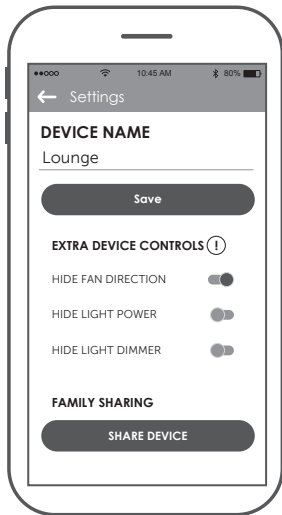
• Set up Real Time Schedule



How to Set Up the fanSync WiFi APP (Continued)

• Share Device

After one smart device is connected to a fan, you must share the device with other users in order to control the fan with their device's APP.



• Link with Amazon Echo, Google Home and IFTTT

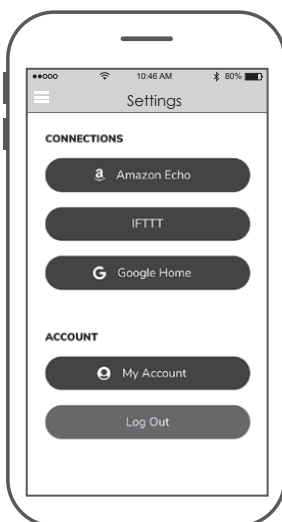
Select the device you want to connect and follow the instructions in the set up procedure.

Amazon Alexa Help: <https://www.amazon.com/gp/help/customer/display.html?nodeId=201749240>

In order to connect with NEST, ECOBEE, Samsung Smart things, wink, etc. that you must connect via IFTTT.

IFTTT Help: <https://help.ifttt.com/hc/en-us/articles/115010325748-What-is-IFTTT->

Google Help: <https://support.google.com/googlehome/answer/7073578?hl=en>



Maintenance

Periodic cleaning of your new ceiling fan is the only maintenance necessary.
 When cleaning, use only a soft brush or lint free cloth to avoid scratching the finish.
 Abrasive cleaning agents are not required and should be avoided to prevent damage to finish.

CAUTION

Do not use solvents when cleaning your ceiling fan. It could damage the motor or the blades and create the possibility of electrical shock.

How to Clean Your Ceiling Fan Blades

Periodic light dusting of the blades is recommended. A feather duster will work best.

Avoid using water, cleansers, or harsh rags, which can warp and ruin the blades.

Troubleshooting

 WARNING

For your own safety turn off power at fuse box or circuit breaker before trouble shooting your fan.

Trouble	Probable Cause	Suggested Remedy
1. FAN WILL NOT START.	<ol style="list-style-type: none"> 1. Fuse or circuit breaker blown. 2. Loose power line connections to the fan, or loose switch wire connections in the switch housing. 3. Dead battery in remote control. 	<ol style="list-style-type: none"> 1. Check main and branch circuit fuses or circuit breakers. 2. Check line wire connections to fan and switch wire connections in the switch housings. CAUTION: Make sure main power is turned off ! 3. Replace with fresh battery.
2. FAN SOUNDS NOISY.	<ol style="list-style-type: none"> 1. Blades not attached to fan. 2. Loose screws in motor housing. 3. Screws securing fan blade to motor assembly are loose. 4. Lower housing support set screw loose. 	<ol style="list-style-type: none"> 1. Attach blades to fan before operating. 2. Check to make sure all screws in motor housing are snug (not over-tight). 3. Check to make sure the screws which attach the fan blade to the motor assembly are tight. CAUTION: Make sure main power is turned off ! 4. Tighten set screw securely.
3. FAN WOBBLERS EXCESSIVELY.	<ol style="list-style-type: none"> 1. Setscrew in downrod support is loose. 2. Setscrew in downrod/hanger ball assembly is loose. 3. Screws securing fan blade to motor assembly are loose. 4. Hanger bracket and/or ceiling outlet box is not securely fastened. 	<ol style="list-style-type: none"> 1. Tighten both setscrews securely in downrod support. 2. Tighten the setscrew in the downrod/hanger ball assembly. 3. Check to be sure screws which attach the fan blade to the motor assembly are tight. 4. Tighten the hanger bracket screws to the outlet box, and secure outlet box.
4. REMOTE CONTROL DOES NOT WORK. THE CONTROL INDICATOR LED IS CONSTANTLY FLASHING.	<ol style="list-style-type: none"> 1. The battery/batteries are going to run out. 	<ol style="list-style-type: none"> 1. Please replace the battery/batteries.
5. NOT ENOUGH AIR MOVEMENT.		<ol style="list-style-type: none"> 1. If possible, consider using a longer downrod (not included, you can buy the longer downrod from fanimation.com).

Parts List

Model #FPD8534**

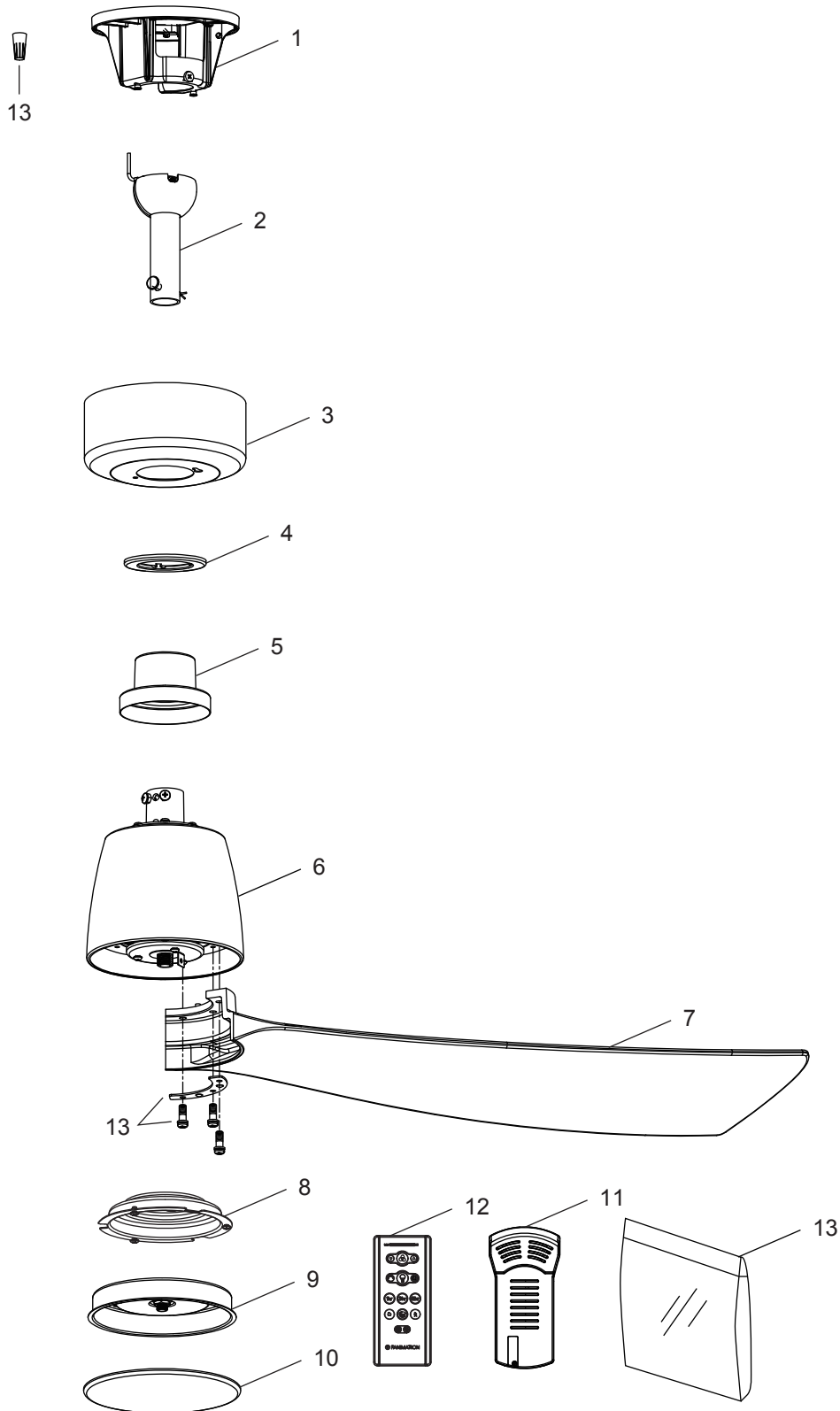
Ref. #	Description	Part #
1	Hanger Bracket Assembly	AP255BL
2	Hanger Ball/Downrod Assembly	ADR1-45**
3	Ceiling Canopy	P853401**
4	Canopy Screw Cover Assembly	AP260**
5	Motor Coupling Cover Assembly	AP853404**
6	Motor Assembly	AMA8534**
7	Blade Set	AP853403**
8	Light Plate Assembly	AP853407BL
9	Light Kit Wire Cover Assembly	AP853413BL
10	Steel Cap	P853414**
11	Receiver	WFRCCD853401
12	Hand-held Remote	TR305
13	Hardware Bag Containing:	HDWFPD8534**
	Safety Cable Kit	
	Wire Connectors (4)	
	Blade Mounting Hardware Bag Containing:	
	3/16"-24 Serrated Head Screws (10)	
	Blade Plates (3)	

** Insert FINISH CODES (Refer to fan model number located on downrod support)

Before discarding packaging materials, be certain all parts have been removed.

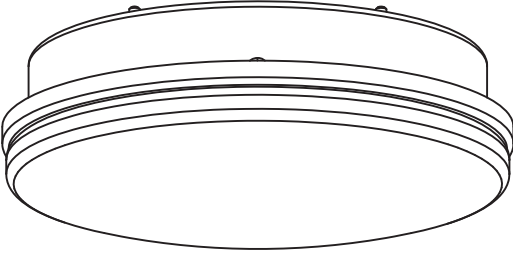
How To Order Parts
<p>When ordering repair parts, always give the following information:</p> <ul style="list-style-type: none"> • Fan Model Number • Part Number • Part Description • Date Code <p>Contact techsupport@fanimation.com or call 1.888.567.2055 for repair parts.</p>

KUTE™ 52
Model FPD8534**
Exploded-View Illustration



NOTE: The illustration shown is not to scale or its actual configuration may vary. Product/parts are subject to change without notice.

Optional Light Kit

1	Light Kit Assembly	LK8534**
		

NOTE: The illustration shown is not to scale or its actual configuration may vary.

Before discarding packaging materials, be certain all parts have been removed.

How To Order Parts

When ordering repair parts, always give the following information:

- Fan Model Number
- Part Number
- Part Description
- Date Code

Contact techsupport@fanimation.com or call 1.888.567.2055 for repair parts.



10983 Bennett Parkway
Zionsville, IN 46077
Phone: 888-567-2055
Outside U.S.: 317-733-4113
FAX: 866-482-5215
FANIMATION.COM

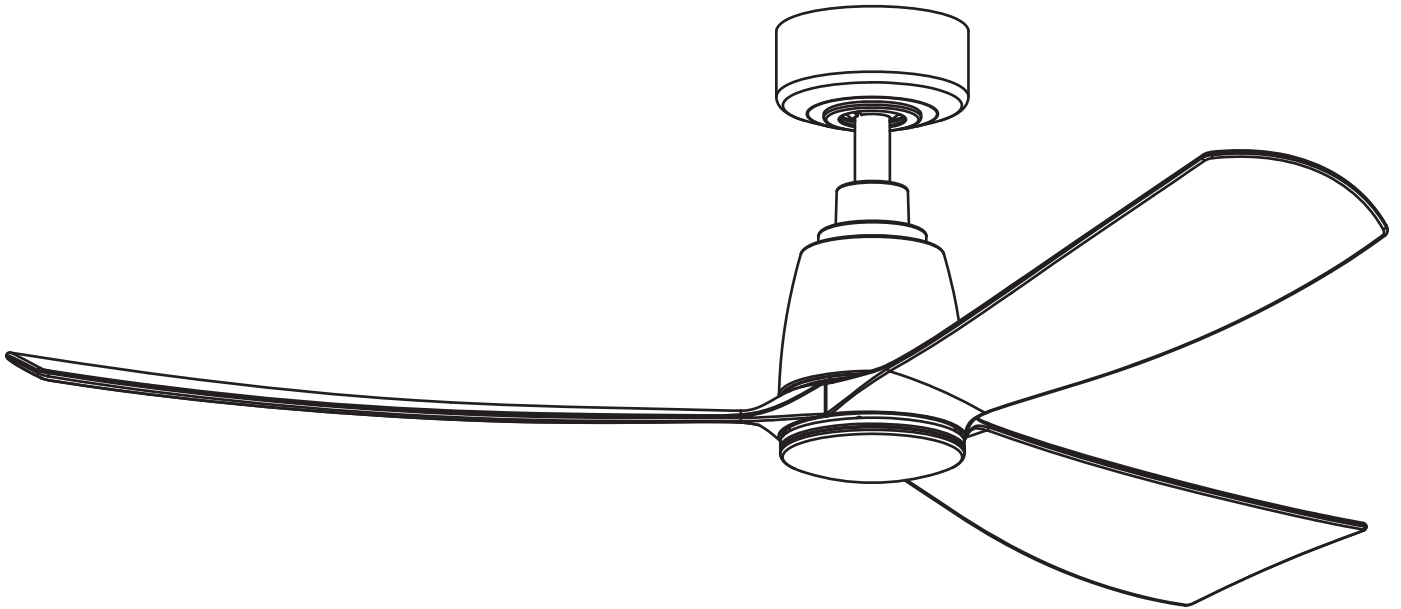
2022/04 V.01
Copyright 2022 Fanimation



FANIMATION®
SHOWROOM COLLECTION

VENTILADOR DE TECHO KUTE™ 52

MODELO #FPD8534**



**ADJUNTE SU RECIBO AQUÍ Y REGISTRE SU VENTILADOR EN FANIMATION.COM
LEA Y GUARDE ESTAS INSTRUCCIONES**



Código de fecha _____ Fecha de compra _____ Peso neto 5.58 kgs (12.30 lbs)

Para ofrecer un servicio rápido y de calidad, por favor suministre el código de fecha. Puede encontrar el código de fecha en el paquete, en el mando a distancia (dentro del compartimento de las pilas), en el receptor o en la parte superior de la carcasa del ventilador.



Preguntas, problemas, piezas faltantes? Antes de volver a la tienda, llame a nuestro Departamento de Servicio al Cliente al 1-888-567-2055, 8 a.m. - 5 pm, hora del Este, de lunes - viernes.

Instrucciones de seguridad importantes

ADVERTENCIA: Siga estas instrucciones para prevenir incendios, descargas eléctricas y lesiones personales graves.

AVERTISSEMENT: Suivez ces instructions pour éviter un incendie, une électrocution et des blessures graves.

1. Lea el manual del propietario y la información de seguridad antes de instalar su nuevo ventilador. Observe los diagramas de ensamblaje adjuntos.
2. Antes de llevar a cabo el mantenimiento o la limpieza de la unidad, desconecte la electricidad en el panel de servicio y bloquee los medios de desconexión del mismo para evitar que se active accidentalmente. Si no se pueden bloquear los medios de desconexión del servicio, coloque un dispositivo de advertencia, como una etiqueta, en el panel de servicio.
3. Tenga cuidado con la estructura y las aspas del ventilador cuando limpie, pinte o trabaje cerca del mismo. Desconecte siempre la electricidad del ventilador de techo antes de llevar a cabo el mantenimiento.
4. No coloque nada en las aspas del ventilador cuando éste se encuentra en funcionamiento.
5. No accione el conmutador inversor hasta que las aspas del ventilador se hayan detenido por completo.
6. El dispositivo no ha sido diseñado para ser utilizado por niños o personas enfermas sin supervisión. Los niños deben ser supervisados para asegurarse de que no juegan con el dispositivo.

Instrucciones de seguridad adicionales

1. Para evitar posibles descargas eléctricas, asegúrese de que la electricidad esté desconectada en la caja de fusibles antes de realizar la instalación eléctrica, y no haga funcionar el ventilador sin las aspas.
2. Todos los procedimientos de conexión eléctrica e instalación deben cumplir con los Códigos eléctricos nacionales (ANSI/NFPA 70) y Códigos locales. El ventilador de techo debe estar conectado a tierra a fin de prevenir posibles descargas eléctricas. La instalación eléctrica debe ser llevada a cabo o aprobada por un electricista autorizado.
3. Se debe fijar bien la base del ventilador; ésta debe ser capaz de soportar sin problemas al menos 15,9 kg (35 lb). Consulte la página 29 del manual del propietario para ver los requisitos de soporte. Si tiene dudas, consulte a un electricista calificado.
4. Las aspas del ventilador deben instalarse por lo menos a 2,13 m (7 pies) del suelo, a fin de evitar un contacto accidental con las mismas.
5. Siga las recomendaciones sobre el método correcto de instalación eléctrica de su ventilador de techo. Si no posee la experiencia o los conocimientos eléctricos adecuados, contrate a un electricista autorizado para instalar el ventilador.
6. Apto para usar con controles de velocidad de estado sólido.
7. Este ventilador es ideal para lugares secos y húmedos.
8. Use solo con los kits de luz marcados como adecuados para usar lugares secos y húmedos.
9. En lo que respecta a las conexiones de suministro, si el conductor del ventilador está identificado como conductor con conexión a tierra, se le debe conectar a un suministro de electricidad con conductor de puesta a tierra. Si el conductor del ventilador está identificado como conductor que no es de puesta a tierra, se le debe conectar a un suministro de electricidad con conductor sin puesta a tierra. Si el conductor del ventilador está identificado para equipos de puesta a tierra, se le debe conectar al conductor de equipos de puesta a tierra.
10. El mando a distancia de este producto contiene pilas de botón/plana de litio. Si la pila de botón/plana de litio nueva o usada se ingiere o entrase en el cuerpo humano, puede causar severas quemaduras internas y puede causar la muerte en tan solo 2 horas. Asegure siempre por completo el compartimento de la pila. Si el compartimento de la pila no está cerrado de forma segura, deje de utilizar el mando a distancia del producto, extraiga las pilas y manténgalo alejado del alcance de los niños. Si piensa que las pilas pueden haber sido tragadas o colocadas dentro de cualquier parte del cuerpo humano, busque asistencia médica inmediatamente.
 - Las pilas planas deben ser desechadas adecuadamente, y siempre debe estar fuera del alcance de los niños.
 - Las pilas planas también pueden causar heridas.
11. Apagar el control de pared puede anular cualquier dispositivo inteligente habilitado o comandos de control remoto.

ADVERTENCIA: Peligro de quemadura química. Mantenga las pilas lejos del alcance de los niños.

ADVERTENCIA: PARA REDUCIR EL RIESGO DE DESCARGAS ELÉCTRICAS, ESTE VENTILADOR SE DEBE INSTALAR CON UN CONTROL/ INTERRUPTOR DE PARED AISLADO.

ADVERTENCIA: Este producto está diseñado para ser usado sólo con las piezas suministradas o los accesorios indicados específicamente para el mismo. Si utiliza piezas o accesorios que no están indicados para su uso con este producto, podría sufrir lesiones personales o dañar el ventilador.

ADVERTENCIA: Para reducir el riesgo de lesiones personales, no doble los soportes de las aspas (borde o soporte de aspas) al instalar los soportes, balancear las aspas o limpiar el ventilador. No coloque objetos extraños entre las aspas del ventilador en funcionamiento.

ADVERTENCIA: No utilice este ventilador con un controlador variable de pared (Rheostat) o un regulador de intensidad. Si lo hiciera podría dañar la unidad del mando a distancia del ventilador de techo.

ADVERTENCIA: Monte a una caja de salida aceptable para apoyo de los aficionados de 15,9 kg (35 lbs) o menos.

AVERTISSEMENT: Risque de brûlure chimique. Gardez les piles hors de portée des enfants.

AVERTISSEMENT: CE VENTILATEUR DOIT ÊTRE INSTALLÉ AVEC UNE COMMANDE/INTERRUPTEUR MURAL ISOLANT À USAGE GÉNÉRAL AFIN DE RÉDUIRE LES RISQUES D'ÉLECTROCUTION.

AVERTISSEMENT: Ce produit est conçu pour utiliser uniquement les pièces l'accompagnant et/ou les accessoires spécifiquement conçus pour ce produit. L'utilisation de pièces et/ou d'accessoires qui ne sont pas conçus pour être utilisés avec ce produit peut provoquer des blessures ou des dommages matériels.

AVERTISSEMENT: Afin de réduire le risque de blessure, ne pliez pas le support de pale (bride ou porte-pale) lors de l'installation des supports, de l'équilibrage des pales ou du nettoyage du ventilateur. N'insérez pas de corps étrangers entre les pales du ventilateur en rotation.

AVERTISSEMENT: N'utilisez pas ce ventilateur avec un contrôleur mural (rhéostat) variable ou un gradateur. Cela pourrait endommager la télécommande du ventilateur de plafond.

AVERTISSEMENT: Montez sur une boîte de sortie indiquée comme étant acceptable.

(1) Este equipo no causará interferencias perjudiciales y (2) este equipo tolerará cualquier interferencia recibida, incluidas las interferencias que puedan provocar un funcionamiento no deseado. Si el radiador intencional puede ser clasificado como un dispositivo digital de clase B o un periférico del ordenador, entonces se deberán incluir los siguientes o equivalentes:

Nota: Tras someterlo a las pruebas correspondientes, se ha determinado que este equipo cumple con los límites establecidos para dispositivos digitales de Clase B de conformidad con la parte 15 de la Normativa FCC. Estos límites se han establecido con el objetivo de aportar una protección razonable contra interferencias perjudiciales cuando el equipo se utiliza en el hogar. Este equipo genera, utiliza y puede emitir energía de radiofrecuencia y, a menos que se instale y se utilice de acuerdo con el manual de instrucciones, puede provocar interferencias perjudiciales en las comunicaciones por radio y televisión. Si el equipo produce interferencias perjudiciales en la recepción de radio o televisión, lo cual puede probarse encendiendo y apagando el equipo, se recomienda al usuario corregir dichas interferencias tomando una o varias de las siguientes medidas:

- Modificar la orientación o ubicación de la antena de recepción;
- Aumentar la separación entre el equipo y el receptor;
- Conectar el equipo a una toma de corriente o circuito diferente al del receptor;

Consulte al distribuidor o a un técnico especialista de radio o TV para obtener más ayuda.

GARANTÍA LIMITADA DE POR VIDA

Se extiende al comprador original del ventilador Fanimation solo desde un distribuidor/minorista autorizado de Fanimation

1. GARANTÍA LIMITADA DE POR VIDA DEL MOTOR - Si se produjera una falla en alguna de las partes del motor de su ventilador debido a un defecto en los materiales o en la fabricación durante el tiempo de vida del comprador original, Fanimation proporcionará la pieza de repuesto sin cargo una vez que el ventilador defectuoso sea devuelto a nuestro centro de servicios nacional. Se requiere comprobante de venta. El cliente se hará responsable de todos los gastos de remoción o reinstalación y envío del producto para reparaciones o sustitución.
2. GARANTÍA DE MANO DE OBRA DEL MOTOR POR UN AÑO - Si el motor de su ventilador fallara antes de cumplirse un año a partir del momento de su compra original debido a defectos en los materiales o en la fabricación, se le efectuará la reparación del mismo sin cargo en nuestro centro de servicios nacional. El comprador se hará responsable de los gastos de mano de obra luego del período de un año. El cliente se hará responsable de todos los gastos de remoción o reinstalación y envío del producto para reparaciones o sustitución.
3. Si otra pieza del ventilador fallara dentro del período de tres años a partir de la fecha de compra original debido a un defecto en los materiales o en la fabricación, repararemos o sustituiremos, según creamos conveniente, la pieza defectuosa sin cargo alguno en nuestro centro de servicios nacional.
4. Si otra pieza del kit de luz fallara dentro del período de cinco años a partir de la fecha de compra original debido a un defecto en los materiales o en la fabricación, repararemos o sustituiremos, según creamos conveniente, la pieza defectuosa sin cargo alguno en nuestro centro de servicios nacional.
5. Debido a las diversas condiciones climáticas, esta garantía no cubre cambios en la terminación, incluidos oxidación, corrosión, falta de brillo o peladuras.
6. Esta garantía es nula y no se aplica a daños por instalación incorrecta, negligencia, accidentes, uso indebido, exposición al calor o a la humedad en exceso, o como resultado de cualquier modificación realizada al producto original.
7. Todos los gastos de remoción y reinstalación del ventilador son responsabilidad exclusiva del propietario, y no de la tienda que vendió el ventilador ni de Fanimation.
8. Fanimation se reserva el derecho de modificar o discontinuar un producto en cualquier momento, o sustituir cualquier pieza según lo establecido por esta garantía.
9. En ningún caso se podrá devolver un ventilador sin previa autorización por parte de Fanimation. Las devoluciones autorizadas deberán ir acompañadas del recibo de venta y deberán enviarse a Fanimation, previo pago del flete. El ventilador que se devuelva deberá estar embalado en forma adecuada a fin de evitar daños durante el transporte. Fanimation no se hará responsable de los daños que resulten del embalaje incorrecto del producto.
10. Se entiende que las reparaciones y las sustituciones son el único recurso disponible de Fanimation. No existe ninguna otra garantía expresa o implícita. Por la presente, Fanimation niega todas las garantías implícitas, que incluyen, entre otras, la comerciabilidad y la aptitud para determinado fin hasta donde la ley lo permita. Algunos estados no permiten limitaciones sobre las garantías implícitas. Fanimation no se hará responsable por daños accidentales, resultantes o especiales derivados del uso o el rendimiento del producto o en conjunción con éste, excepto en los casos en los que la ley así lo disponga. Esta garantía le otorga derechos legales especiales y es posible que también goce de otros derechos que pueden variar según el estado.
11. Es normal que se produzca un cierto movimiento oscilante y esto no debe considerarse un problema o defecto.

Tabla de contenidos

Instrucciones para el desempaque	28	Cómo instalar su mando a distancia	43
Uso eficiente de la energía en ventiladores de techo	29	Configuración de la App fanSync WiFi	44
Requisitos eléctricos y estructurales	29	Mantenimiento	47
Cómo ensamblar el ventilador de techo	31	Limpieza de las aspas	47
Cómo colgar el ventilador de techo	33	Solución de problemas	48
Cómo realizar la instalación eléctrica del ventilador de techo	35	Lista de piezas	49
Cómo instalar la carcasa de la cubierta	37	Ilustración del despiece	50
Cómo ensamblar las aspas del ventilador de techo y la tapa	38	Kit de iluminación opcional	51
Cómo utilizar su ventilador de techo	40		

Este manual está diseñado para facilitar, en la medida de lo posible, el ensamblaje, la instalación, el funcionamiento y el mantenimiento de su ventilador de techo

Herramientas necesarias para el ensamblaje (No incluido)

- Destornillador Phillips
- Destornillador de ¼"
- Escalera de tijera
- Pelacables

⚠ ADVERTENCIA

Antes de ensamblar el ventilador de techo, consulte la sección sobre el método correcto de instalación eléctrica del ventilador (página 35). Si siente que no posee la experiencia o los conocimientos eléctricos necesarios, contrate a un electricista autorizado para instalar el ventilador.

NOTA: coloque las piezas de las bolsas de piezas individuales en un contenedor pequeño para evitar que se extravíen. Si faltan piezas, póngase en contacto con su proveedor local.

Materiales

La caja de distribución eléctrica y los conectores de la caja deben ser del tipo requerido por el código local. El cable más pequeño debe ser un cable de tres conductores (de dos conductores con conexión a tierra) del siguiente tamaño:

<u>longitud del cable instalado</u>	<u>tamaño del cable según el A.W.G.</u> <u>(Calibre de Alambre Estadounidense)</u>
hasta 15,2 m (50 pies) de	14
15,2 a 30,5 m (50 a 100 pies)	12

⚠ AVERTISSEMENT

Reportez-vous à la section sur la méthode appropriée de câblage du ventilateur (page 35) avant d'assembler votre ventilateur de plafond. Faites installer votre ventilateur par un électricien agréé si vous pensez que vous n'avez pas assez de connaissances ou d'expérience en câblage.

Instrucciones para el desempaque

Para su comodidad, marque cada uno de los pasos. A medida que completa cada paso, coloque una marca de verificación. Con esto se asegurará de completar todos los pasos y podrá saber desde dónde retomar si fuera interrumpido.

⚠ ADVERTENCIA

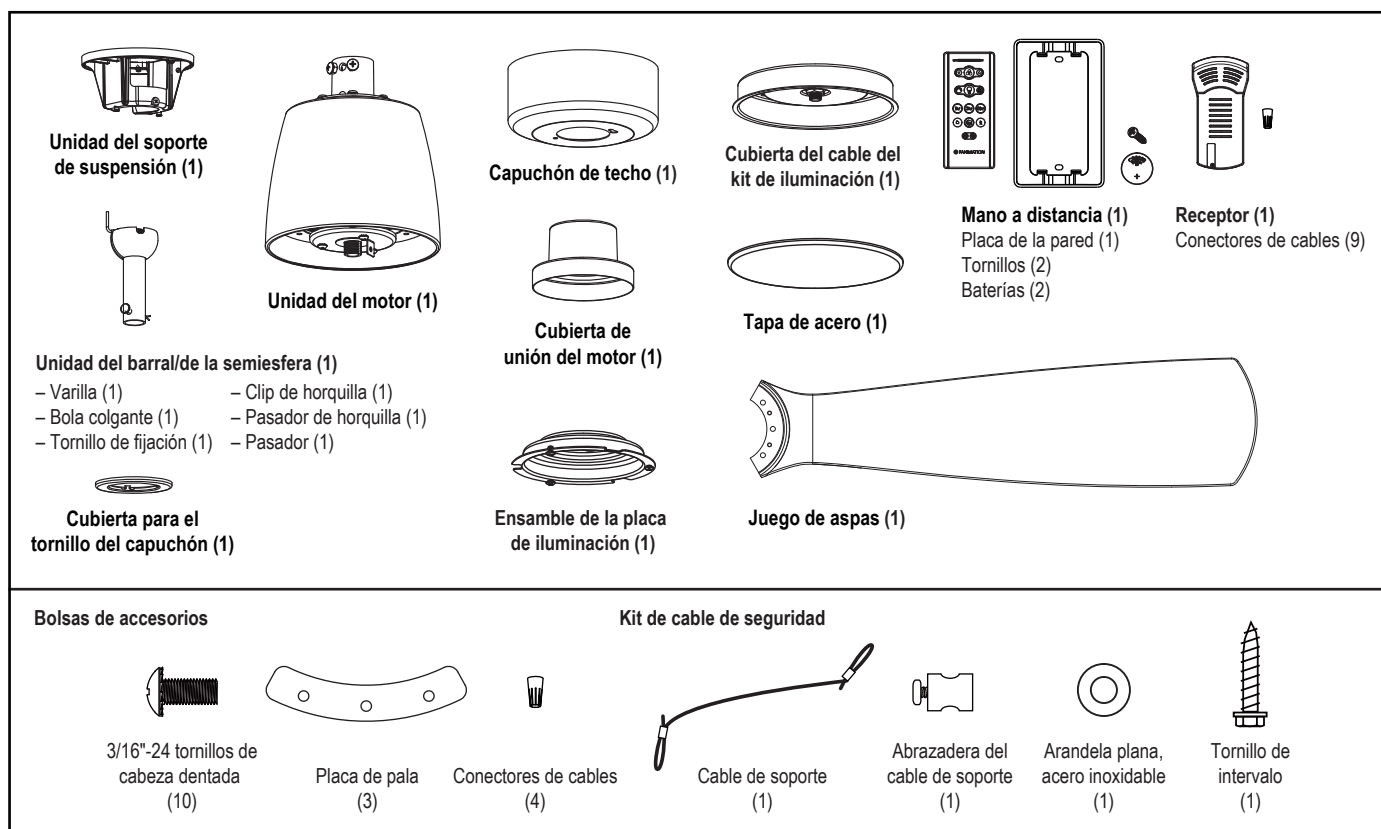
No instale ni utilice el ventilador si falta alguna pieza o si hay piezas dañadas. Este producto está diseñado para ser utilizado sólo con las piezas suministradas o los accesorios indicados por Fanimation específicamente para el mismo. La sustitución de piezas o accesorios que Fanimation no designó para usar con este producto podría ocasionar lesiones personales o daños en el ventilador. Póngase en contacto con su tienda si faltan piezas o hay piezas dañadas.

⚠ AVERTISSEMENT

N'i nstallez pas et n'utilisez pas le ventilateur si l'une de ses pièces est endommagée ou manquante. Ce produit est conçu pour utiliser uniquement les pièces l'accompagnant et/ou les accessoires spécifiquement conçus pour ce produit par Fanimation. La substitution de pièces ou d'accessoires non conçus par Fanimation pour être utilisés avec ce produit peut provoquer des blessures ou des dommages matériels. Contactez votre lieu de vente en cas de pièces manquantes ou endommagées.

1. Verifique que haya recibido las siguientes piezas:

NOTA: Si no está seguro de la descripción de una pieza, consulte la ilustración del despiece.



Uso eficiente de la energía en ventiladores de techo

El nivel de rendimiento y ahorro de energía de los ventiladores de techo dependen de su correcta instalación y uso. A continuación le presentamos algunas sugerencias para asegurar un rendimiento eficiente del producto.

Selección del lugar de montaje adecuado

Los ventiladores de techo se deben instalar en el centro de la habitación, a 2,13 m (7 pies) de altura del piso hasta la cuchilla como mínimo y 0,5 m (18 pulgadas) de las paredes hasta la cuchilla. Si la altura del techo lo permite, instale el ventilador a 2,5 m (8 - 9 pies) de altura del piso hasta la cuchilla para un flujo de aire óptimo. Consulte en su tienda minorista de Fanimation para obtener accesorios de montaje opcionales.

Apague el ventilador cuando no se encuentre en la habitación

Los ventiladores son para refrescar a la gente, no a las habitaciones. Si la habitación está vacía, apague el ventilador de techo para ahorrar energía.

Uso del ventilador de techo todo el año

En verano: Use el ventilador de techo en sentido contrario a las agujas del reloj. El flujo de aire que produce el ventilador creará un efecto frío del aire que lo refrescará más. Seleccione una velocidad que le proporcione una brisa confortable. Las velocidades más bajas consumen menos energía.

En invierno: Invierta el motor y haga funcionar el ventilador de techo a velocidad baja y en el sentido de las agujas del reloj. Esto produce una suave corriente ascendente, que obliga al aire cálido que se acumula cerca del techo a bajar al espacio ocupado. No olvide ajustar el termostato cuando utilice el ventilador de techo. Con este sencillo paso puede ahorrar energía adicional y dinero.

Requisitos eléctricos y estructurales

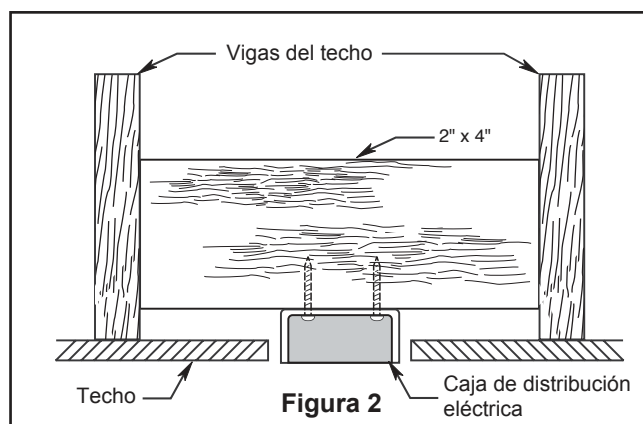
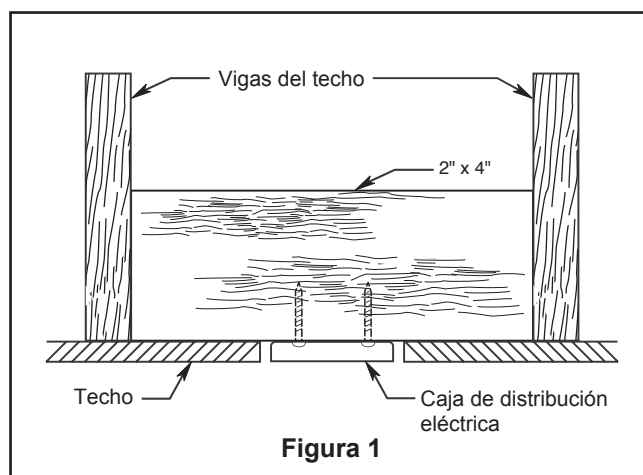
Su nuevo ventilador de techo requiere una línea de suministro eléctrico con conexión a tierra de 120 voltios de CA, 60 Hz, circuito de 15 amperios. La normativa eléctrica requiere el uso de una caja de distribución eléctrica para ventiladores que soporte el peso extra y el movimiento asociado a un ventilador de techo. La caja de distribución eléctrica será etiquetada como tal y soportará un ventilador de techo de un peso de hasta 70 libras. Dichas cajas varían en tipos y diseños. Asegúrese de que el tipo de su caja reúne los criterios para el ventilador que se está instalando. Las ilustraciones 1, 2 y 3 muestran las diferentes configuraciones estructurales que pueden ser utilizadas para dicha caja de distribución eléctrica.

Uso de perfil bajo (Figura 1)

La caja lisa de 1/2 pulgada de profundidad será atornillada a una viga o bloque. Se utilizará si solo un cable va a ser introducido en la caja. También está disponible en una configuración de montaje endosado.

Uso de perfil profundo (Figura 2)

La caja de 2-1/4 pulgada será atornillada a un bloque entre vigas que tenga suficiente espacio para colocar más de un cable.



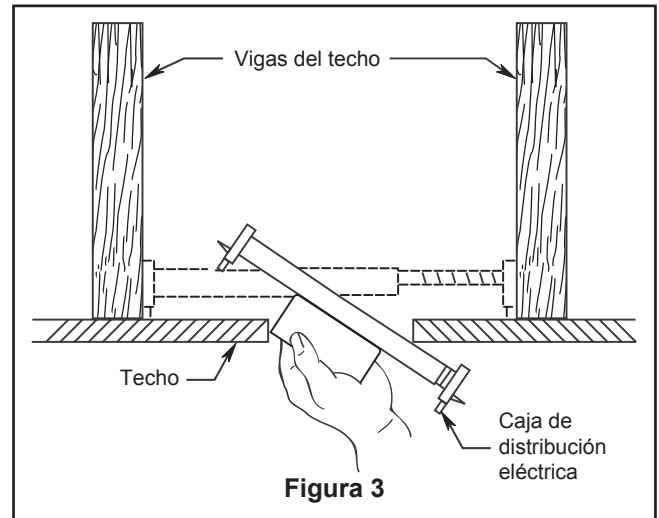
Requisitos eléctricos y estructurales (cont.)

Uso del soporte (Figura 3)

Conectado a una caja de distribución eléctrica, este colgador sirve para abarcar el espacio entre dos vigas y ocupar el lugar de bloqueo de la madera.

⚠ ADVERTENCIA

Para reducir el riesgo de incendios, descargas eléctricas o lesiones personales, fije el ventilador a la caja de distribución eléctrica marcada como aceptable para soporte de ventilador de 15,88kg (35lb). Utilice los tornillos suministrados con la caja de distribución eléctrica. La mayoría de las cajas de distribución eléctrica que comúnmente se utilizan como soporte de lámparas no son aptas para soporte de ventiladores y es posible que deban reemplazarse. Consulte a un electricista calificado si tiene dudas.



⚠ AVERTISSEMENT

Pour réduire le risque d'incendie, d'électrocution ou de blessure, montez sur une boîte de sortie indiquée comme étant acceptable pour supporter un ventilateur. La plupart des boîtes de sortie communément utilisées pour supporter les luminaires ne sont pas acceptables pour supporter des ventilateurs et devraient être remplacées. Consultez un électricien qualifié en cas de doutes.

Si su ventilador va a sustituir una instalación de iluminación existente, desconecte la electricidad de la caja del fusible principal en esta ocasión y extraiga la unidad de iluminación.

⚠ ADVERTENCIA

Apagar el interruptor de pared no es suficiente. Para evitar posibles descargas eléctricas, asegúrese de que la electricidad esté desconectada en la caja de fusibles principal antes de realizar la instalación eléctrica. Toda instalación eléctrica debe cumplir con los códigos nacionales y locales y el ventilador de techo debe tener la conexión a tierra adecuada como forma de precaución ante posibles descargas eléctricas.

⚠ AVERTISSEMENT

Éteindre l'interrupteur mural ne suffit pas. Pour éviter tout risque d'électrocution, assurez-vous que l'alimentation électrique est coupée au niveau du boîtier à fusibles principal avant d'effectuer le câblage. Le câblage doit être entièrement conforme aux codes nationaux et locaux, et le ventilateur de plafond doit être correctement mis à la terre par mesure de précaution contre les risques d'électrocution.

⚠ ADVERTENCIA

A fin de evitar incendios o descargas eléctricas, siga con cuidado todas las instrucciones de instalación eléctrica. Cualquier trabajo eléctrico que no se describa en estas instrucciones deberá ser realizado o aprobado por un electricista autorizado.

⚠ AVERTISSEMENT

Respectez attentivement toutes les instructions de câblage pour éviter tout incendie ou électrocution. Tout travail électrique non décrit dans ces instructions doit être fait ou approuvé par un électricien agréé.

⚠ ADVERTENCIA

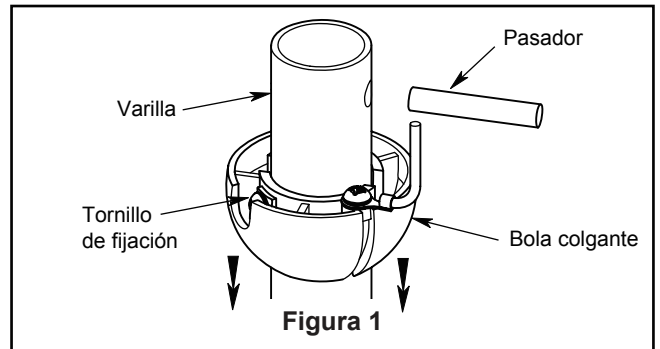
No utilice este ventilador con un controlador variable de pared (Rheostat) o un regulador de intensidad. Si lo hiciera podría dañar la unidad del mando a distancia del ventilador de techo.

⚠ AVERTISSEMENT

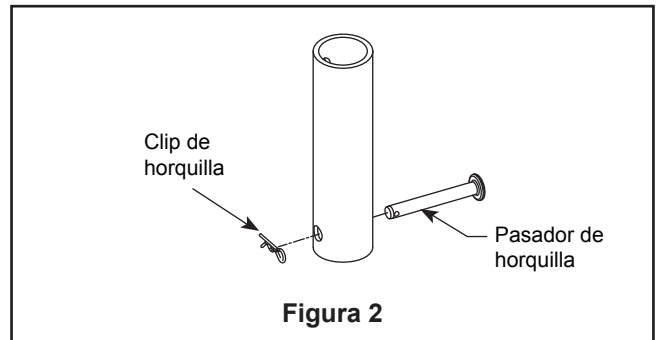
N'utilisez pas ce ventilateur avec un contrôleur mural (rhéostat) variable ou un gradateur. Cela pourrait endommager la télécommande du ventilateur de plafond.

Cómo ensamblar el ventilador de techo

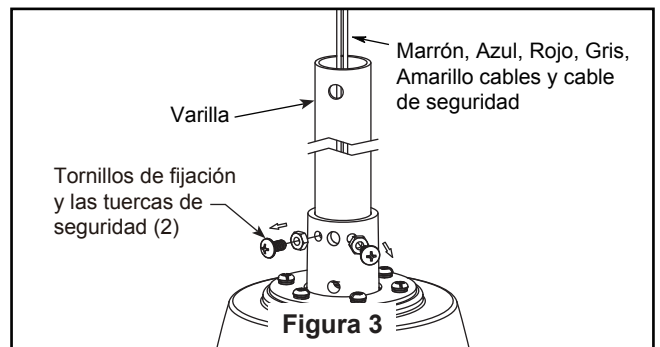
1. Extraiga la pieza de la bola colgante de la unidad de la bola colgante / varilla aflojando el tornillo de presión de la bola colgante hasta que la bola se libere de la varilla. Retire el pasador del barral y luego extraiga la semiesfera. Conserve el pasador y la semiesfera para su reinstalación en el paso 6. (Figura 1)



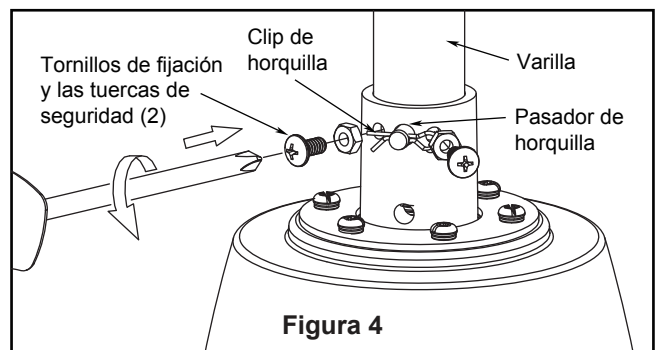
2. Retire el clip de horquilla y pasador de horquilla de la parte inferior de la bola para colgar. Retener el pasador y clip para la reinstalación en el paso 4. (Figura 2)



3. Afloje los dos tornillos de fijación del soporte del barral de soporte para techo a través de la varilla. Introduzca los cables de color marrón, azul, rojo, gris, amarillo cables y cable de seguridad a través de la varilla. (Figura 3)



4. Coloque el soporte de la varilla y alinee los orificios de la clavija de horquilla en ambas piezas. Instale la clavija de horquilla y asegúrela con la pinza de horquilla. Fije e instale los dos tornillos de presión y las tuercas de seguridad en el soporte de la varilla interior. (Figura 4)



⚠ ADVERTENCIA

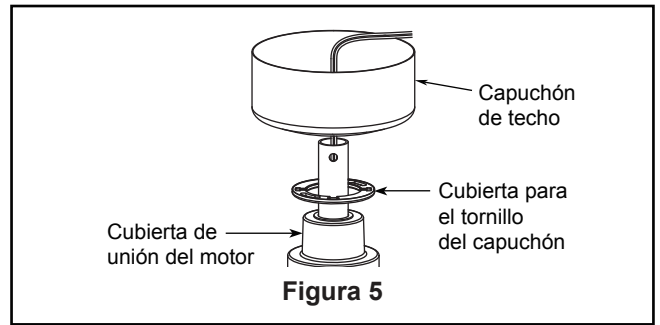
Es fundamental que instale correctamente el pasador de horquilla en el soporte de la varilla, y que ajuste firmemente los tornillos de fijación y las tuercas. El incumplimiento de dicho paso podría hacer que el ventilador se caiga.

⚠ AVERTISSEMENT

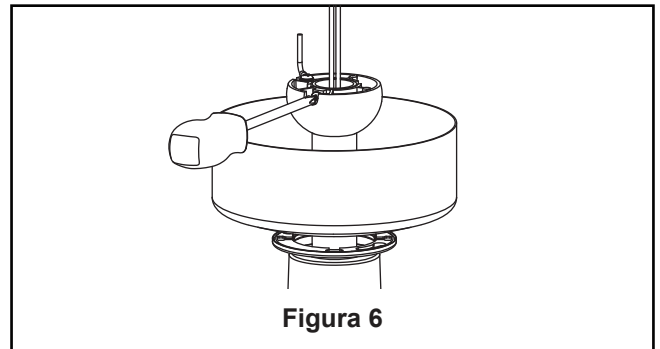
Il est crucial que l'axe à épaulement dans le support de la tige de suspension descendante soit correctement installé. Le ventilateur risque de tomber si vous ne vérifiez pas que l'axe et la pince de retenue sont correctement installés.

Cómo ensamblar el ventilador de techo (cont.)

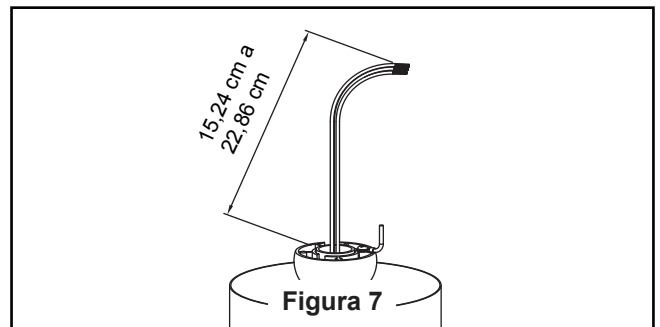
5. Pase los cables y cable de seguridad a través de la cubierta de unión del motor, la cubierta para el tornillo del capuchón y el capuchón con el lado abierto apuntando hacia arriba. (Figura 5)



6. Vuelva a colocar la semiesfera en el barral como se indica a continuación. Pase los cables de marrón, azul, rojo, gris, amarillo y cable de soporte para techo a través de la semiesfera. Pase el pasador a través de los dos orificios en el barral y alinee la semiesfera de modo que el pasador quede atrapado en la ranura de la parte superior de la misma. Empuje la semiesfera hacia arriba, bien ajustada contra el pasador. Ajuste firmemente el tornillo de fijación en la semiesfera. Si el tornillo de fijación está flojo, podría provocar oscilación del ventilador. (Figura 6)



7. Corte el exceso de cable aproximadamente de 15 a 23 cm (6 a 9 pulgadas) por encima de la parte superior del barral. Pele 1,2 cm (1/2") del aislamiento en cada extremo del cable. (Figura 7)



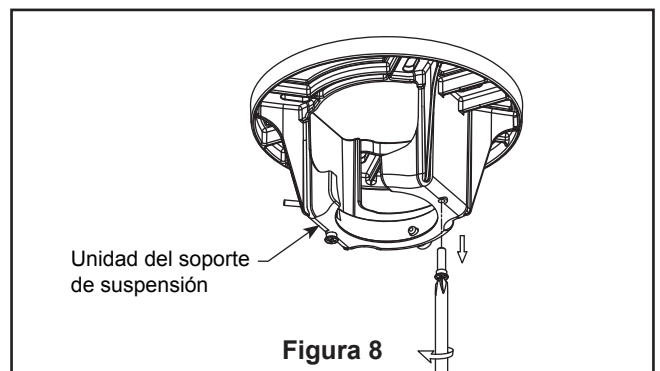
PRECAUCIÓN

Se deben revisar todos los tornillos de fijación y volver a ajustarlos cuando sea necesario antes de realizar la instalación.

ATTENTION

Toutes les vis de réglage doivent être vérifiées et resserrées nécessaire avant l'installation.

8. Extraiga una de los tornillos de hombro en el soporte del gancho y guarde los tornillos para pasos posteriores. Afloje el segundo tornillo de hombro sin extraiga completamente. (Figura 8)



Cómo colgar el ventilador de techo

⚠️ ADVERTENCIA

Para evitar una posible descarga eléctrica, asegúrese de cortar la alimentación eléctrica de la caja de fusibles principal antes de colgar el ventilador. (Figura 1)

⚠️ AVERTISSEMENT

Assurez-vous que l'alimentation électrique est coupée au niveau du boîtier à fusibles principal avant de suspendre le ventilateur afin d'éviter tout risque d'électrocution. (Figure 1)

NOTA: Si no está seguro de si la caja de salida tiene conexión a tierra, pida consejo a un electricista certificado, ya que debe tener conexión a tierra para un funcionamiento seguro.

⚠️ ADVERTENCIA

La caja de distribución eléctrica debe estar bien asegurada y debe ser capaz de soportar una carga de al menos 15.9kg (35lb). El soporte de suspensión debe estar colocado firmemente contra la caja de distribución eléctrica. Si la caja de distribución eléctrica está empotrada, retire la tablaroca hasta que el soporte haga contacto con la caja. Si el soporte o la caja de distribución eléctrica no están bien asegurados, el ventilador podría oscilar o caerse.

⚠️ AVERTISSEMENT

La boîte de sortie doit être solidement ancrée et acceptable pour supporter un ventilateur de 15,9 kg (35 livres) au moins. Le support de suspension doit reposer fermement contre la boîte de sortie. Si la boîte de sortie est encastrée, retirez le panneau de revêtement jusqu'à ce que le support entre en contact avec la boîte. Si le support et/ou la boîte ne sont pas solidement attachés, le ventilateur risque d'osciller ou même de tomber.

1. Perfore un orificio de 1/4" en la estructura del edificio para evitar grietas con la instalación del tornillo de intervalo. Utilice el tornillo de intervalo de 3/8"x2" y la arandela plana para fijar el cable de seguridad a la viga del techo o a la estructura de madera. Dicho tornillo pasará a través de arandela plana, la presilla del cable de seguridad y se fijará en la estructura del edificio. (Figura 3)

2. Fije adecuadamente el soporte colgante a la caja de empalme del techo que sea aceptable para el soporte del techo.

NOTA: el cable de soporte para techo no se puede asegurar solamente a la caja de conexiones; se debe asegurar directamente a la viga de techo o miembro estructural con el tornillo de cabeza cuadrada de 3/8"x2" y la arandela plana. (Figura 3)

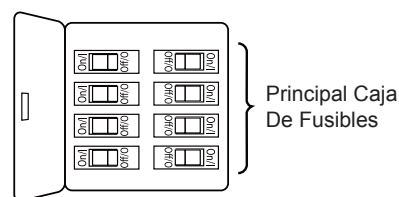


Figura 1

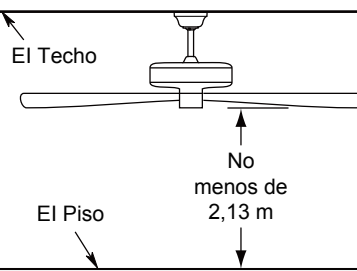


Figura 2

⚠️ ADVERTENCIA

Debe colgar el ventilador a una distancia mínima de 2,13 m desde las aspas hasta el piso. (Figura 2)

⚠️ AVERTISSEMENT

Le ventilateur doit être accroché de façon à ce que ses pales soient au moins à 7 pieds. (Figure 2)

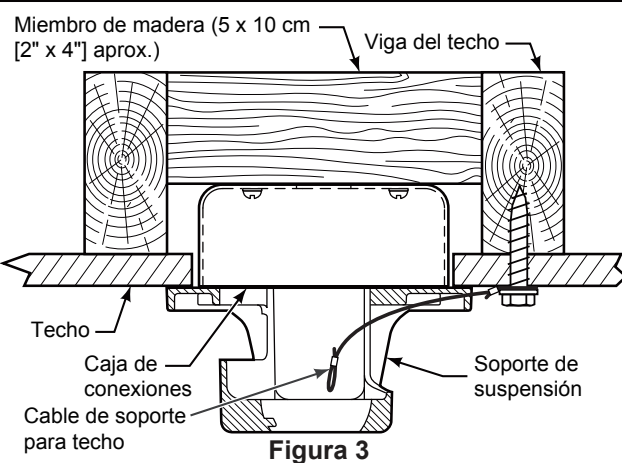


Figura 3

PRECAUCIÓN

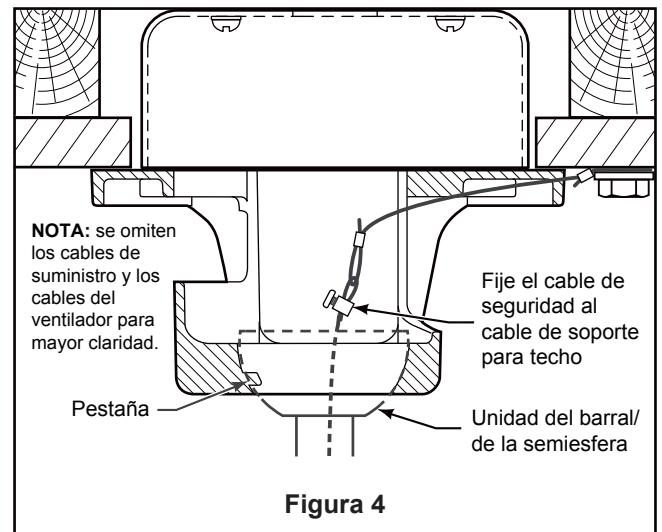
No conecte las aspas hasta que el ventilador esté totalmente instalado. Instalar el ventilador con las aspas colocadas podría ocasionar daños en las mismas.

ATTENTION

Ne raccordez pas les pales du ventilateur tant que le ventilateur n'est pas complètement installé. Suspendre un ventilateur avec des lames raccordées peut endommager les pales du ventilateur.

Cómo colgar el ventilador de techo (cont.)

- 3. Asegúrese de que los cables de suministro eléctrico, incluido el cable de conexión a tierra del soporte de suspensión y el cable de seguridad, hayan atravesado el barral, entre el soporte de suspensión y la caja de conexiones, de modo que más tarde se pueda realizar la instalación eléctrica.
- 4. Levante cuidadosamente el ventilador y coloque el ensamblaje de la bola para colgar/varilla en la abrazadera para colgar que acaba de fijar a la caja de salida. Asegúrese de que la ranura de la bola esté alineada con la lengüeta de la abrazadera para colgar. (Figura 4)
- 5. Fije el cable de seguridad al cable de soporte para techo. Deslice la abrazadera de cables por el cable de seguridad (del ventilador). Pase el extremo del cable a través del aro que forma el cable de soporte para techo. Tire lo más posible del cable a través del aro. Inserte el extremo del cable en el orificio de la abrazadera y ajuste firmemente el tornillo. (Figura 4)



Aditamentos utilizados:

Abrazadera del cable de soporte



x 1

⚠ ADVERTENCIA

Para evitar una posible descarga eléctrica, no apriete los cables entre el ensamblaje de la bola para colgar y la abrazadera para colgar.

⚠ ADVERTENCIA

Si no coloca la lengüeta en la ranura, podrían dañarse los cables eléctricos y podrían ocurrir incendios o descargas eléctricas.

⚠ AVERTISSEMENT

Ne pincez pas les fils entre la tige de suspension descendante et le support de suspension éviter toute électrocution.

⚠ AVERTISSEMENT

Si vous n'installez pas la languette dans la rainure, vous risquez d'endommager les fils électriques et de causer éventuellement une décharge électrique ou un incendie.

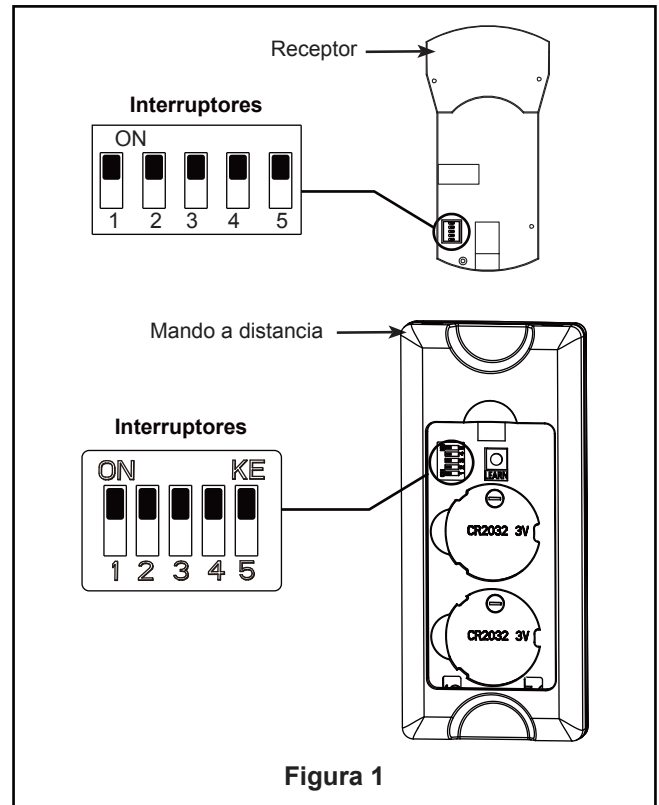
Cómo realizar la instalación eléctrica del ventilador de techo

NOTA: Si los cables de suministro o del ventilador son de colores diferentes que los indicados, contrate a un electricista calificado para que realice la instalación.

1. Para configurar el código de unidad del receptor. Deslice los interruptores de código a las mismas posiciones que en el transmisor. (Figura 1)

NOTA: El mando a distancia incluido en este ventilador tiene 32 combinaciones diferentes de códigos. Para evitar posibles interferencias desde o hacia otros mandos a distancia, modifique el código de combinación de su transmisor y receptor.

NOTA: Los ajustes de fábricas vienen con todos los interruptores hacia arriba. No utilice esta posición.



⚠ ADVERTENCIA

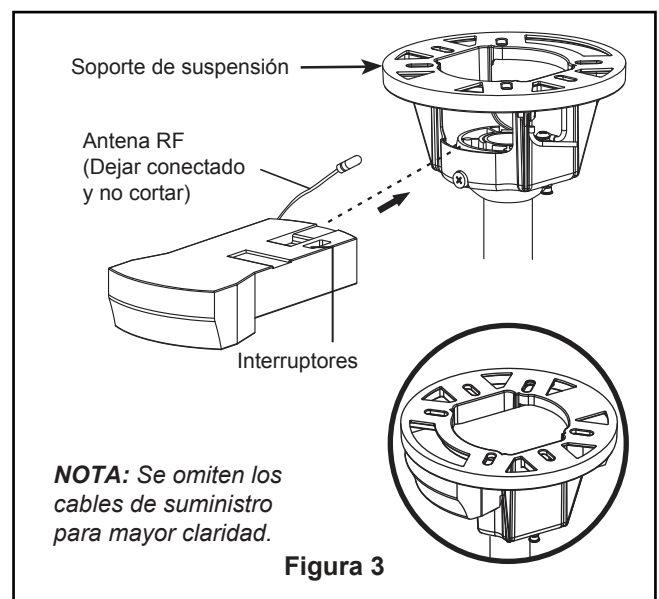
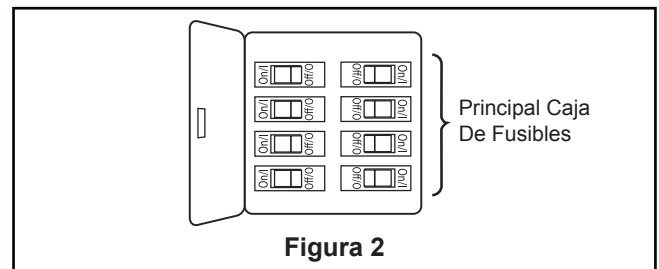
Para evitar una posible descarga eléctrica, asegúrese de cortar la alimentación eléctrica de la caja de fusibles principal antes de alambrado el ventilador. (Figura 2)

⚠ AVERTISSEMENT

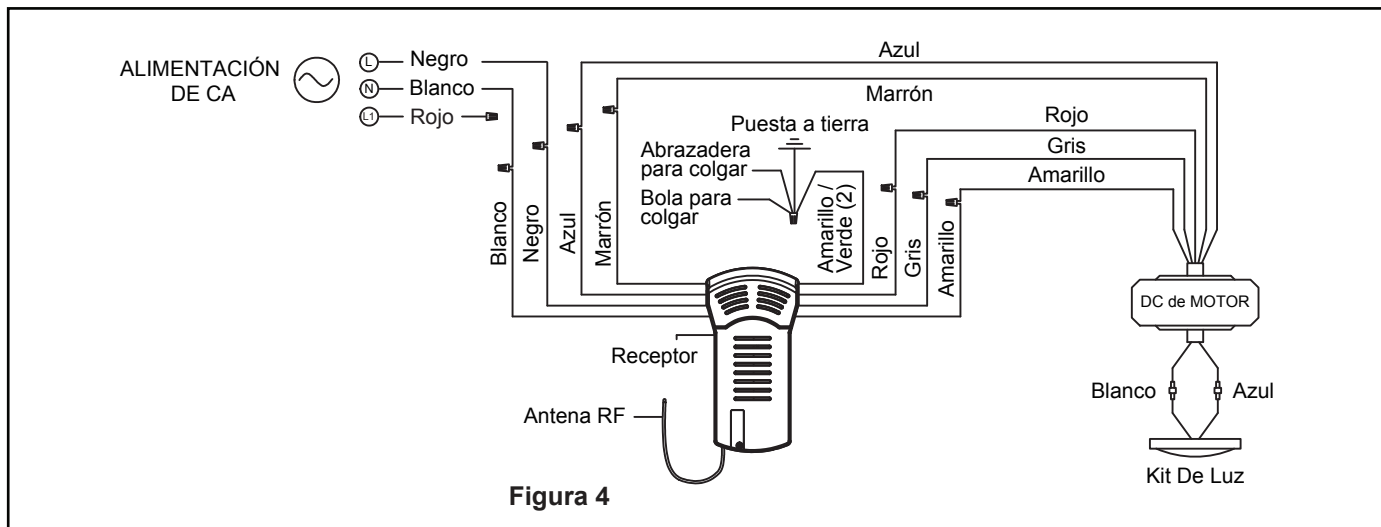
Pour éviter tout risque d'électrocution, assurez-vous que l'alimentation électrique est coupée au niveau du boîtier à fusibles principal avant d'effectuer le câblage. (Figure 2)

NOTA: Si no está seguro de si la caja de salida tiene conexión a tierra, pida consejo a un electricista certificado, ya que debe tener conexión a tierra para un funcionamiento seguro.

2. Deslice el receptor en el soporte de suspensión antes de realizar el cableado como se muestra en la figura 3.



Cómo realizar la instalación eléctrica del ventilador de techo (cont.)

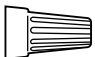


3. Realice las conexiones de cables al bloque del terminal como se muestra en la Figura 4.

PRECAUCIÓN: UNA CONEXIÓN INCORRECTA DEL CABLE PODRÍA DAÑAR ESTE RECEPTOR.

ATTENTION: UNE CONNEXION DE FIL INCORRECTE PEUT ENDOMMAGER CE RECEPTEUR.

Aditamentos utilizados:

Conectores de cable  X 9

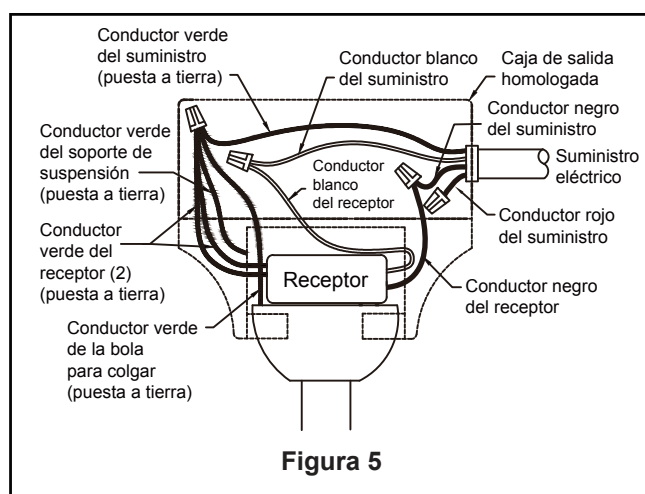
⚠ ADVERTENCIA

Verifique que todas las conexiones estén ajustadas, incluida la conexión a tierra, y que no haya conductores desnudos visibles en los conectores. No opere el ventilador hasta que las aspas estén instaladas. Podría ocasionar ruidos y daños al motor.

⚠ AVERTISSEMENT

Vérifiez que tous les raccordements sont bien serrés, y compris la mise à la terre, et qu'aucun fil dénudé n'est visible au niveau des capuchons de connexion. Ne faites pas fonctionner le ventilateur avant d'avoir installé les pales. Du bruit et des dommages au moteur pourraient en résulter.

4. Una vez haya hecho las conexiones, coloque los cables hacia arriba y empújelos cuidadosamente hacia dentro de la caja de la toma de corriente, poniendo los cables blancos y verdes a un lado de la caja y los negros hacia el otro lado. Los cables deben ser colocados de forma extendida poniendo el conductor de la toma de tierra y el conductor de toma de tierra del equipo a un lado de la caja, colocando el conductor sin toma de tierra en el otro lado de la caja. (Figura 5)



⚠ ADVERTENCIA

Las aspas debe ser instalarse primero antes de programación.

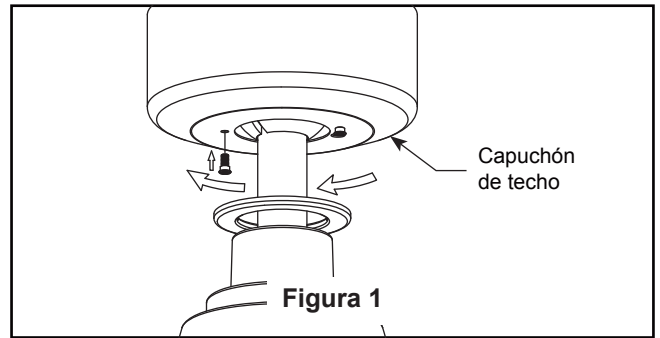
⚠ AVERTISSEMENT

Les lames doivent être installées avant la programmation.

Cómo instalar la carcasa de la cubierta

NOTA: Este paso se debe realizar luego de completar la instalación eléctrica necesaria.

1. Instale la cubierta rotando la ranura clave en la cubierta sobre el tornillo de hombro del soporte del gancho, teniendo cuidado de no pillar los cables. Fije el tornillo de hombro. Instale adecuadamente y fije el segundo tornillo de hombro que fue anteriormente guardado. (Figura 1)



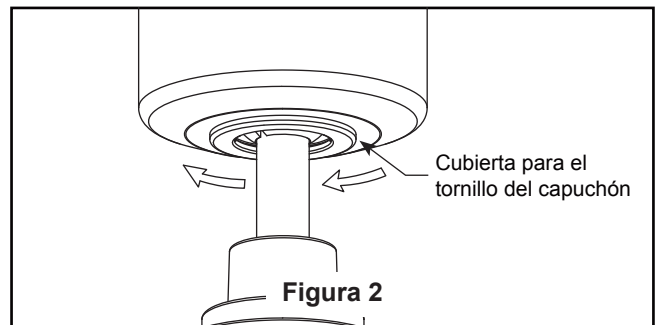
⚠ ADVERTENCIA

Para evitar posibles incendios o descargas eléctricas, asegúrese de que los cables eléctricos se encuentren completamente adentro de la cubierta del capuchón y de que no estén aprisionados entre la cubierta y el techo.

⚠ AVERTISSEMENT

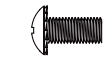
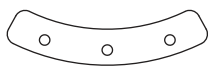
Pour éviter tout risque d'incendie ou de choc, assurez-vous que les fils électriques sont complètement à l'intérieur du boîtier de la monture et qu'ils ne sont pas pincés entre le boîtier et le plafond.

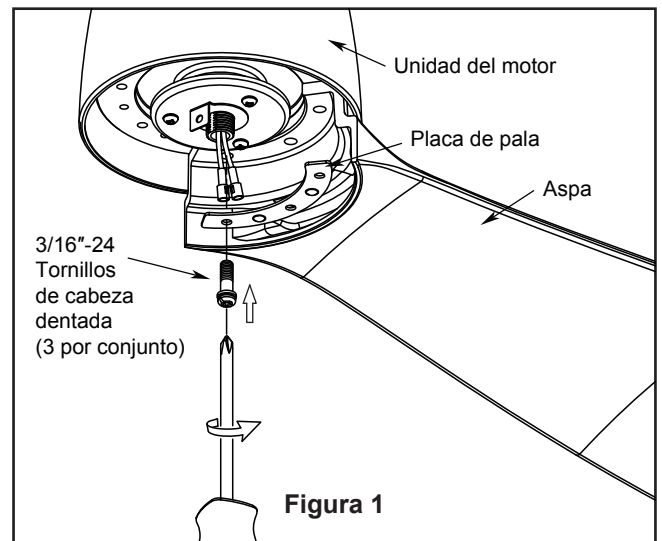
2. Coloque y ajuste firmemente la cubierta para el tornillo de la base sobre los tornillos de reborde de la abrazadera para colgar mediante el mecanismo de seguro por giro del chavetero. (Figura 2)



Cómo ensamblar las aspas del ventilador de techo y la tapa

1. Alinee los orificios del aspa con el poste el ensamble del motor. Asegúrese de que el aspa esté completamente asentado sobre el volante del ensamble del motor. Coloque la placa de la pala sobre la pala con los orificios alineados e instale la pala en la rueda giratoria usando los tornillos de cabeza dentada, fije completamente los tornillos para fijar las palas en la rueda giratoria del motor. (Figura 1)

Aditamentos utilizados:		
3/16"-24 Tornillos de cabeza dentada		X 9
Placa de pala		X 3



PRECAUCIÓN

No conecte las aspas hasta que el ventilador esté totalmente instalado. Instalar el ventilador con las aspas colocadas podría ocasionar daños en las mismas.

⚠ ADVERTENCIA

Para reducir el riesgo de lesiones personales, no doble las aspas al instalar, balancear o limpiar el ventilador. No coloque objetos extraños entre las aspas del ventilador en funcionamiento.

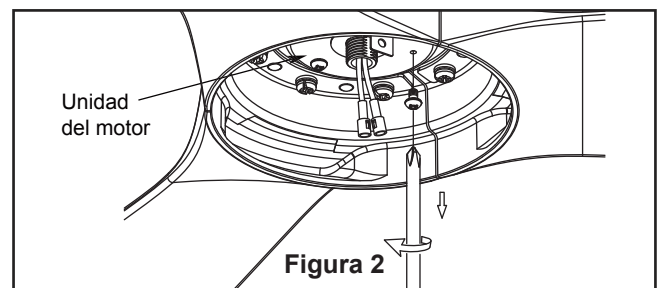
ATTENTION

Ne raccordez pas les pales du ventilateur tant que le ventilateur n'est pas complètement installé. L'installation du ventilateur avec les pales assemblées peut endommager les pales du ventilateur.

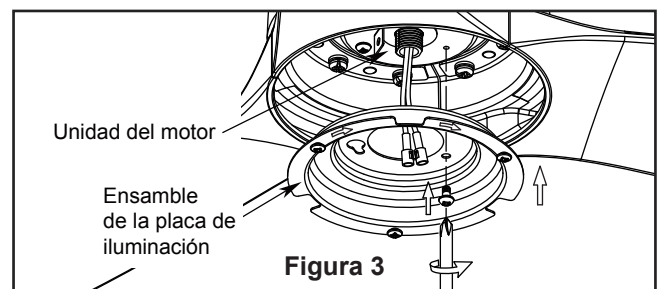
⚠ AVERTISSEMENT

Afin de réduire le risque de blessure, ne pliez pas les pales lors de l'installation, de l'équilibrage des pales, ou du nettoyage du ventilateur. N'insérez pas de corps étrangers entre les pales en rotation.

2. Extraiga uno de los tres tornillos del soporte ubicado en la parte interior de la unidad del motor. Guárdelo para después y afloje levemente los otros dos tornillos. (Figura 2)

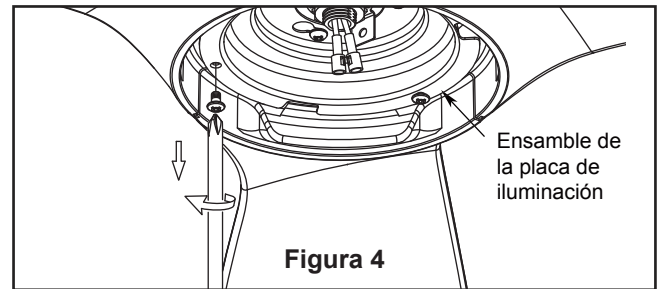


3. Instale el ensamble de la placa de iluminación en el soporte utilizando las dos ranuras principales de conexión. Vuelva a colocar el tornillo retirado y asegure los tres tornillos. (Figura 3)

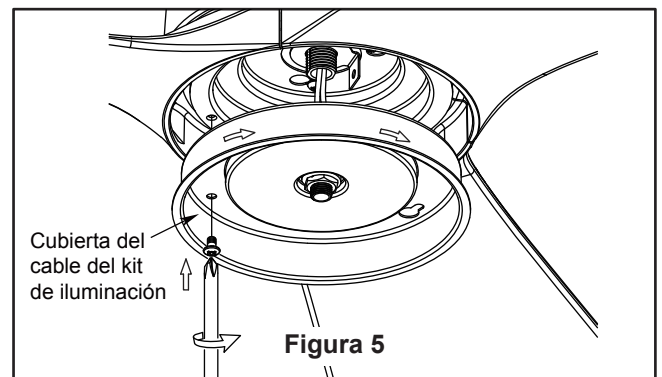


Cómo ensamblar las aspas del ventilador de techo y la tapa (cont.)

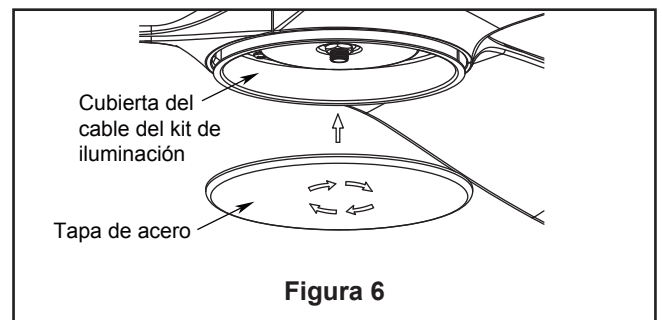
4. Extraiga uno de los tres tornillos de ensamble de la placa de iluminación. Guárdelo para después y afloje levemente los otros dos tornillos. (Figura 4)



5. Instale la cubierta del cable del kit de iluminación en el ensamblaje de la placa de iluminación usando las dos ranuras principales. Vuelva a colocar el tornillo retirado previamente y asegure los tres tornillos. (Figura 5)

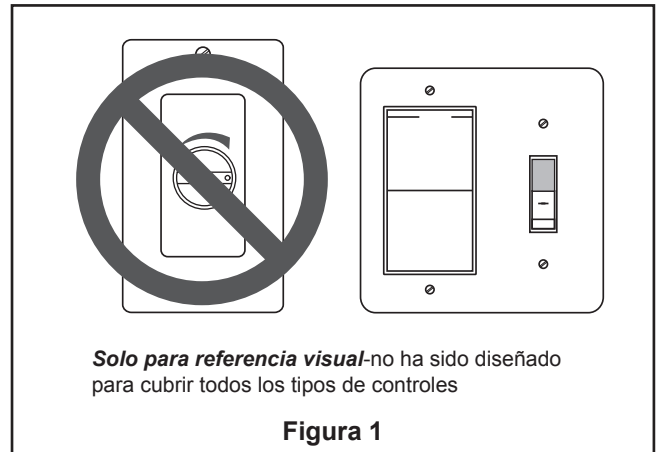


6. Asegure el tapa de acero en la cubierta del cable del kit de iluminación girándolo en el sentido de las agujas del reloj y sin apretar demasiado. (Figura 6)

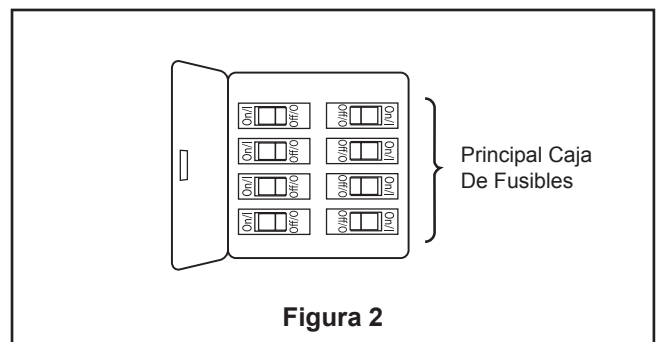


Cómo utilizar su ventilador de techo

1. **IMPORTANTE:** El uso de un regulador de la intensidad completa (no incluido) para controlar la velocidad del ventilador dañará el dispositivo. Para reducir el riesgo de incendio o descarga eléctrica, no utilice dicho regulador para controlar la velocidad del ventilador. (Figura 1)



2. Restablezca la fuente de alimentación de la toma de corriente encendiendo la electricidad del fusible principal. (Figura 2)



⚠ ADVERTENCIA

Compruebe que todas las conexiones realizadas correctamente, incluyendo la toma de tierra, y que no se visualizan ningún cable pelado en los conectores de cables, con la excepción del cable de toma de tierra. No utilice el ventilador hasta que las palas estén colocadas en su lugar, ya que de lo contrario se podría causar ruido y daños.

⚠ AVERTISSEMENT

Vérifiez que tous les raccordements sont bien serrés, y compris la mise à la terre, et qu'aucun fil dénudé n'est visible au niveau des capuchons de connexion, à l'exception du fil de mise à la terre. Ne faites pas fonctionner le ventilateur avant d'avoir installé les pales. Du bruit et des dommages au ventilateur pourraient en résulter.

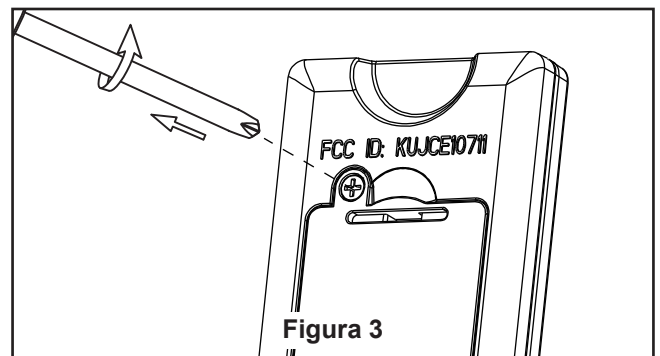
⚠ ADVERTENCIA

No utilice este ventilador con un controlador variable de pared (Rheostat) o un regulador de intensidad. Si lo hiciera podría dañar la unidad del mando a distancia del ventilador de techo.

⚠ AVERTISSEMENT

N'utilisez pas ce ventilateur avec un contrôleur mural (rhéostat) variable ou un gradateur. Cela pourrait endommager la télécommande du ventilateur de plafond.

3. Retire la cubierta de la batería del control remoto con un destornillador y conserve el tornillo para luego. (Figura 3)



Cómo utilizar su ventilador de techo (cont.)

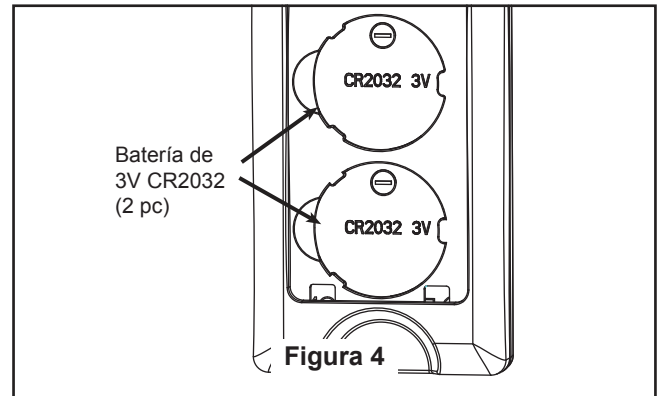
4. Para que el ventilador sea funcional, instale las pila (incluidas) de 3V en el transmisor del mando a distancia. Mientras el ventilador esté apagado. A continuación, siga el proceso de fijación remota de código. Si no se utiliza el ventilador durante un largo periodo de tiempo, extraiga la batería para evitar cualquier daño al transmisor. Almacene el mando a distancia en un lugar alejado del calor o la humedad excesiva. (Figura 4)

5. Si tiene varios ventiladores y desea programarlos todos en un único mando a distancia, Deslice el interruptor DIP a la misma posición en TODOS los receptores a UN dispositivo móvil para configurar el código de cada ventilador y siga el Paso 1 del proceso de configuración de la velocidad del mando a distancia. Cada ventilador necesita estar a menos de 30 pies de distancia del mando al que desea programarlo. Tenga en cuenta que el interruptor de pared que controla la fuente de alimentación de su(s) ventilador(es) debería estar en la posición apagado hasta que esté listo para programar su(s) mando(s) a distancia.

6. Si tiene múltiples ventiladores y desea programar cada uno con mandos a distancia diferentes, Deslice el interruptor DIP a la misma posición tanto en el receptor como en el dispositivo móvil para configurar el código de cada ventilador y siga el Paso 1 del siguiente proceso de configuración de la velocidad del mando a distancia. Repite estos pasos para cada uno de los ventiladores que desea programar a un mandos a distancia diferente. Tenga en cuenta que el interruptor de pared que controla el encendido de su(s) ventilador(es) debería estar en la posición apagado hasta que esté preparado para programar su(s) mando(s) a distancia.

7. Para configurar el código del mando a distancia a las mismas posiciones que en el receptor. Mueva los interruptores de código hasta colocar el código de selección en la posición arriba o abajo. Con un destornillador pequeño o con una lapicera (no se incluye) deslice firmemente hacia arriba o hacia abajo. (Figura 5)

8. Vuelva a colocar la cubierta de la batería en el mando a distancia con un tornillo retirados previamente. (Figura 6)

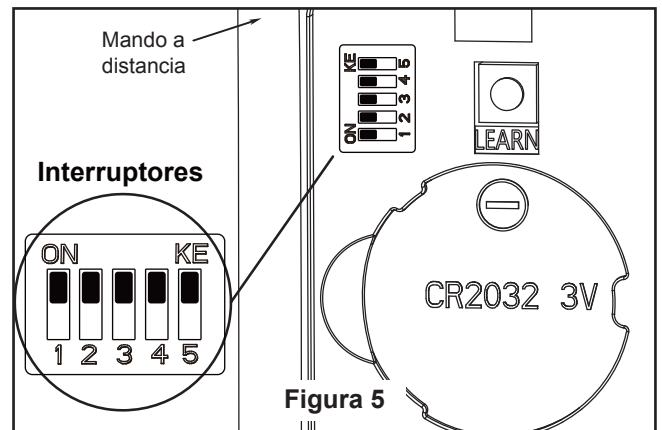


⚠ ADVERTENCIA

Peligro de quemadura química. Mantenga las pilas lejos del alcance de los niños.

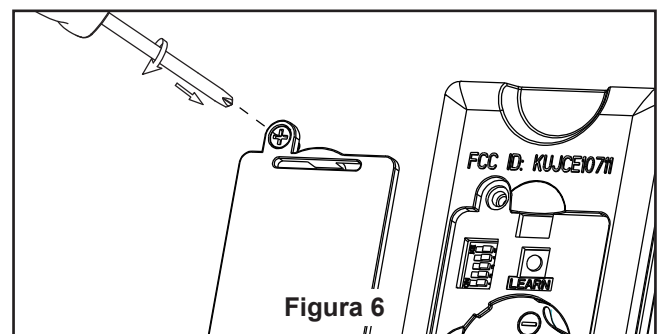
⚠ AVERTISSEMENT

Risque de brûlure chimique. Gardez les piles hors de portée des enfants.



NOTA: Los ajustes de fábricas vienen con todos los interruptores hacia arriba. No utilice esta posición.














NOTA: El mando a distancia incluido en este ventilador tiene 32 combinaciones diferentes de códigos. Para evitar posibles interferencias desde o hacia otros mandos a distancia, modifique el código de combinación de su transmisor y receptor.



Cómo utilizar su ventilador de techo (cont.)

9. Funciones del control remoto: (Figura 7)

LOW  HI

- Luz LED del indicador: Velocidad del ventilador e indicador atenuante de la iluminación
-  Botón: Toque este botón apaga el ventilador. Mantenga pulsado el botón durante 5 segundos para encender o apagalo el zumbador.
- Velocidad del ventilador:
 - △ Enciende el ventilador y aumenta la velocidad.
 - ▽ Enciende el ventilador y disminuye la velocidad.
-  Botón de la lámpara: Enciende o apaga la luz.
 -  Pulse el botón enciende la luz y mantenga el regulador para aumentar o disminuir la intensidad de la luz y suéltelo cuando haya elegido el nivel deseado.
 -  Cuando el luz estar en de encendido toque este botón para cambiar temperatura de color.
- Temporizador de apagado automático:
 -  El ventilador y la luz se apagará después de 1 horas.
 -  El ventilador y la luz se apagará después de 3 horas.
 -  El ventilador y la luz se apagará después de 6 horas.
-  Lejos de casa: Toque este botón, la luz parpadeará dos veces para indicarle que se habrá completado el proceso de configuración, el ventilador se apagará y la luz se encenderá y apagará aleatoriamente mientras esté lejos, pulse ningún botón(es) cancelar la función.
-  Air Fresco: La velocidad del ventilador se modulará para simular la brisa natural.
-  Salida segura: Toque este botón, la luz parpadeará dos veces para indicarle que se habrá completado el proceso de configuración, la luz y el ventilador se apagará después de 1 minuto, pulse ningún botón(es) cancelar la función.
-  Botón de reversa:
hacia delante o al revés. El ventilador debe estar funcionando para podrá revertir la dirección.
 -  Verano-El ventilador funciona en el sentido contrario a las agujas del reloj. El flujo del aire ofrece una brisa refrigerante hacia abajo.
 -  Invierno-El ventilador funciona en el sentido de las agujas del reloj. El flujo del aire fuerza el aire caliente hacia abajo sin una brisa visible.

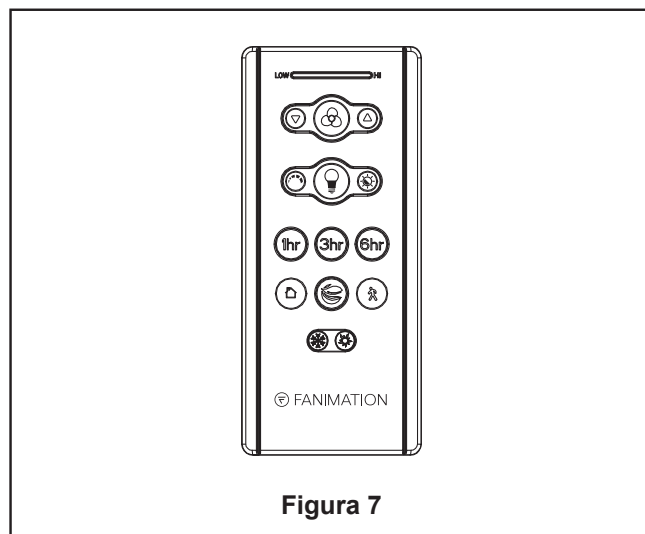
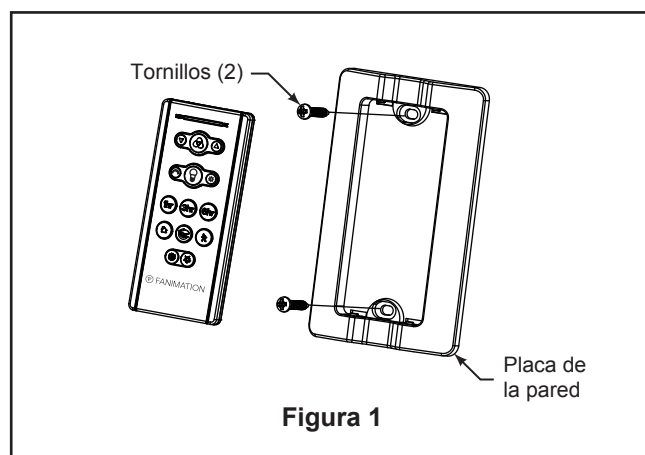


Figura 7

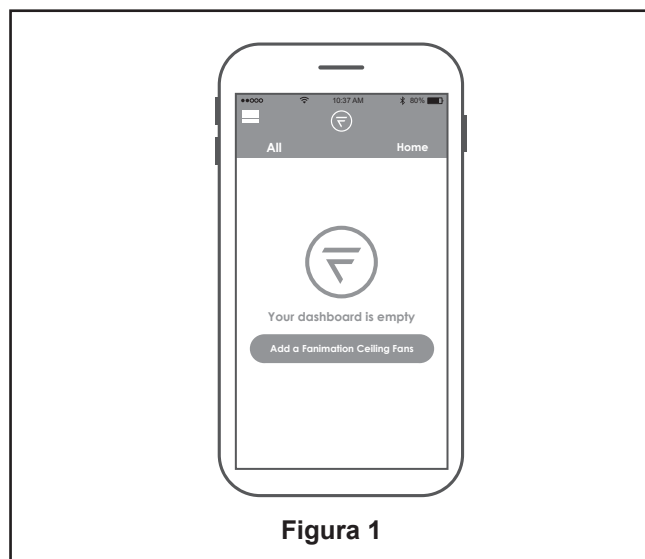
Cómo instalar su mando a distancia

1. Instalación de la placa de la pared: (Figura 1)
Fije la placa de la pared usando los dos tornillos suministrados.

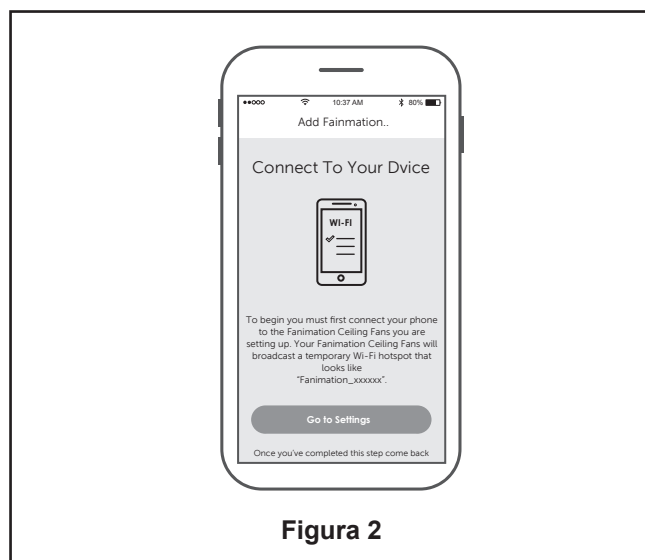


Configuración de la App fanSync WiFi

1. Visite el App Store de Apple o el Play Store de Google para descargarse la App gratuita fanSync WiFi. Cree su cuenta Fanimation fanSync. (Figura 1)

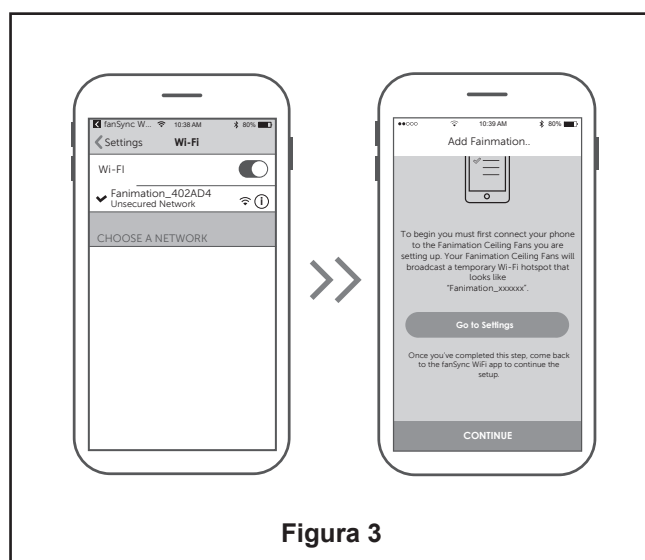


2. En este paso, el receptor WiFi de su ventilador de techo debe estar instalado y dentro del rango de su router WiFi. Con la App abierta, seleccione “añadir dispositivo”. (Figura 2)



NOTA: El SSID WiFi predeterminada del dispositivo es: Fanimation_XXXXXX (ej.: Fanimation_402AD4).

3. Seleccione el dispositivo Fanimation_XXXXXX y vuelva a la App fanSync WiFi y pulse “CONTINUAR”. (Figura 3)



Configuración de la App fanSync WiFi (cont.)

4. Seleccione su router WiFi e introduzca la contraseña WiFi para conectarse a su receptor WiFi fanSync. Tardará 1 - 2 minutos en conectarse. Una vez que su receptor WiFi se haya conectado, ahora puede nombrar su ventilador de techo en la App y personalizar sus ajustes. (Figura 4)

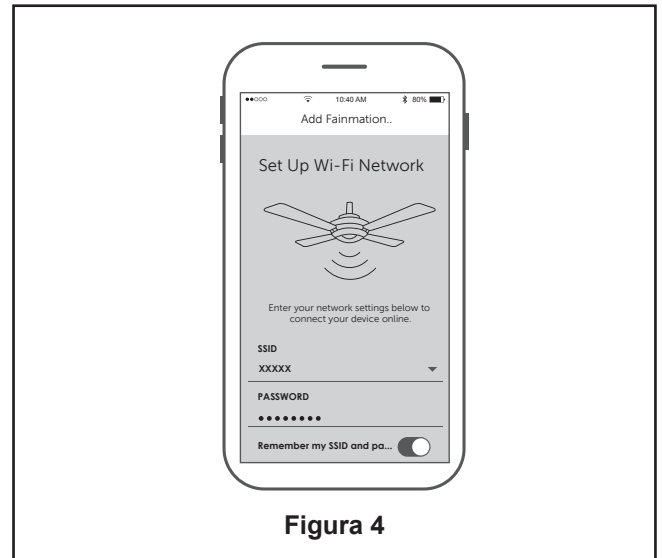
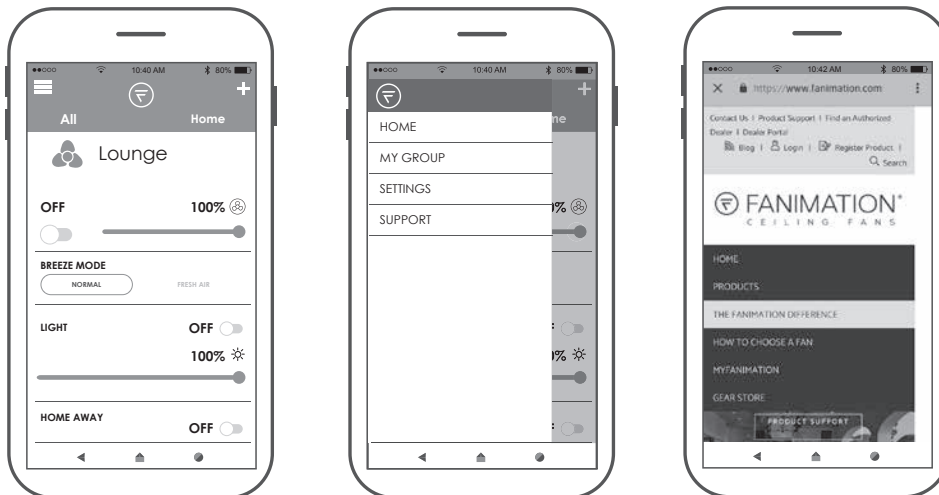
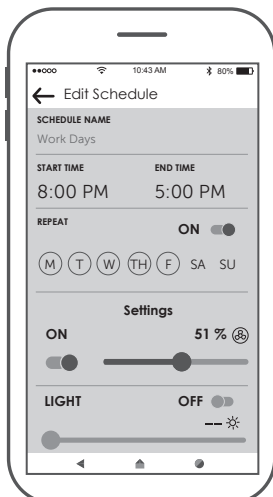


Figura 4

• Vista general de la App fanSync WiFi



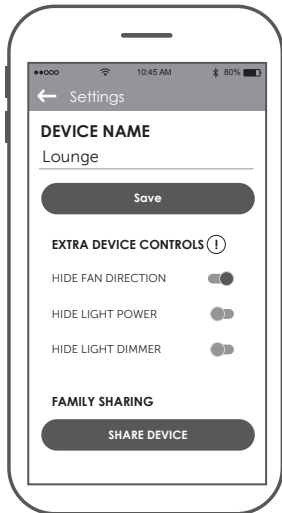
• Configuración de programación en tiempo real



Configuración de la App fanSync WiFi (cont.)

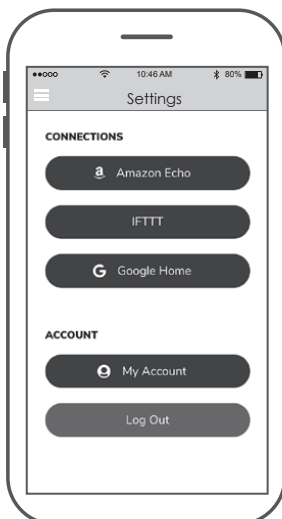
• Compartir dispositivo

Una vez que un dispositivo inteligente es conectado al ventilador, debe compartir el dispositivo con otros usuarios para que otros usuarios de la App puedan controlar el ventilador.



• Enlace con Amazon Echo, Google Home y IFTTT

Seleccione el dispositivo que desee conectar y siga las instrucciones en el procedimiento de configuración.
Ayuda para Amazon Alexa: <https://www.amazon.com/gp/help/customer/display.html?nodeId=201749240>
Para conectarse a NEST, ECOBEE, Samsung Smart things, wink, etc. debe conectarse a través de IFTTT.
Ayuda para IFTTT: <https://help.ifttt.com/hc/en-us/articles/115010325748-What-is-IFTTT->
Ayuda de Google: <https://support.google.com/googlehome/answer/7073578?hl=en>



Mantenimiento

El único mantenimiento necesario para el ventilador de techo es una limpieza periódica.
Al llevar a cabo la limpieza, use sólo un cepillo suave o un paño sin pelusas, para evitar rayar el acabado.
No se requieren agentes abrasivos de limpieza; los mismos deben evitarse para prevenir daños en el acabado.

PRECAUCIÓN
No utilice solventes para limpiar el ventilador de techo. Podrían dañar el motor o las aspas y ocasionar posibles descargas eléctricas.

ATTENTION
N'utilisez pas d'eau pour nettoyer votre ventilateur de plafond. Cela pourrait endommager le moteur ou la finition, et créer une possibilité d'électrocution.

Limpieza de las aspas

Se recomienda limpiar el polvo de las aspas periódicamente. Lo mejor es utilizar un plumero.

Evite usar agua, productos de limpieza o trapos ásperos, que pueden combar o dañar las aspas.

Solución de problemas

⚠ ADVERTENCIA

Para su propia seguridad, desconecte la electricidad de la caja de fusibles o disyuntor antes de solucionar problemas en su ventilador.

⚠ AVERTISSEMENT

Pour votre sécurité, placez le coffret à fusibles ou le disjoncteur hors tension avant de tenter d'identifier tout problème pouvant affecter votre ventilateur.

Problema	Causa posible	Solución sugerida
1. EL VENTILADOR NO ARRANCA.	<ol style="list-style-type: none"> 1. El fusible o el disyuntor están fundidos. 2. Las conexiones eléctricas del ventilador o del interruptor en la caja del interruptor están flojas. 3. Pila agotada del mando a distancia. 	<ol style="list-style-type: none"> 1. Controle los fusibles del circuito principal y derivado o los disyuntores. 2. Controle las conexiones eléctricas del ventilador y del interruptor en las cajas de los interruptores. PRECAUCIÓN: ¡Asegúrese de que el suministro principal de electricidad esté desconectado! ATTENTION: Assurez-vous que l'alimentation électrique principale est coupée ! 3. Sustituir con una pila nueva.
2. EL VENTILADOR HACE RUIDO.	<ol style="list-style-type: none"> 1. Las aspas no están sujetas al ventilador. 2. Hay tornillos flojos en la caja del motor. 3. Los tornillos que aseguran las aspas al buje del motor están flojos. 4. El tornillo del soporte de la cubierta inferior está flojo. 	<ol style="list-style-type: none"> 1. Ajuste las aspas al ventilador antes de ponerlo en funcionamiento. 2. Asegúrese de que todos los tornillos de la caja del motor estén bien ajustados (pero no en exceso). 3. Asegúrese de que los tornillos que fijan las aspas al buje del motor del ventilador estén bien ajustados. PRECAUCIÓN: ¡Asegúrese de que el suministro principal de electricidad esté desconectado! ATTENTION: Assurez-vous que l'alimentation électrique principale est coupée ! 4. Asegure bien los tornillos de fijación.
3. EL VENTILADOR OSCILA EN EXCESO.	<ol style="list-style-type: none"> 1. El tornillo de fijación y la tuerca del soporte de barral están flojos. 2. La bola colgante con ranura no está alineada con la pestaña. 3. El tornillo de fijación en la unidad del barral/de la semiesfera está flojo. 4. El soporte de suspensión o la caja de distribución eléctrica del techo no están bien asegurados. 	<ol style="list-style-type: none"> 1. Ajuste bien los dos tornillos de fijación y las tuercas en el soporte de barral. 2. Vuelva a colgar la bola colgante para asegurar la pestaña en la ranura. 3. Ajuste el tornillo de fijación en la unidad del barral/de la semiesfera. 4. Ajuste los tornillos del soporte de suspensión de la caja de distribución eléctrica y asegúrela.
4. EL MANDO A DISTANCIA SIN FUNCIONAR. EL LED INDICADOR DE CONTROL PARPADEA CONSTANTEMENTE.	<ol style="list-style-type: none"> 1. La batería/baterías (pila/pilas) se van a agotar. 	<ol style="list-style-type: none"> 1. Sustituir con la batería/baterías (pila/pilas) nueva.
5. NO HAY SUFICIENTE MOVIMIENTO DE AIRE.		<ol style="list-style-type: none"> 1. Si es posible, considere el uso de un barral más largo. Por ejemplo (no incluido, usted puede comprar el tiempo de la vara hacia abajo animation.com).

Lista de piezas

Modelo N.º FPD8534**

N.º de Ref.	Descripción	Pieza # N.º
1	Unidad del soporte de suspensión	AP255BL
2	Unidad del barral/de la semiesfera	ADR1-45**
3	Capuchón de techo	P853401**
4	Cubierta para el tornillo del capuchón	AP260**
5	Cubierta de unión del motor	AP853404**
6	Unidad del motor	AMA8534**
7	Juego de aspas	AP853403**
8	Ensamble de la placa de iluminación	AP853407BL
9	Cubierta del cable del kit de iluminación	AP853413BL
10	Tapa de acero	P853414**
11	Receptor	WFRCCD853401
12	Mano a distancia	TR305
13	Bolsa de accesorios:	HDWFPD8534**
	Kit de cable de seguridad	
	Conectores de cables (4)	
	Bolsa de accesorios para el montaje de aspas que contiene:	
	3/16"-24 tornillos de cabeza dentada (10)	
	Placa de pala (3)	

***Inserte los CÓDIGOS DE ACABADO (consulte el número de modelo del ventilador que se encuentra en el soporte de barral)*

Antes de desechar los materiales de embalaje, asegúrese de haber extraído todas las piezas

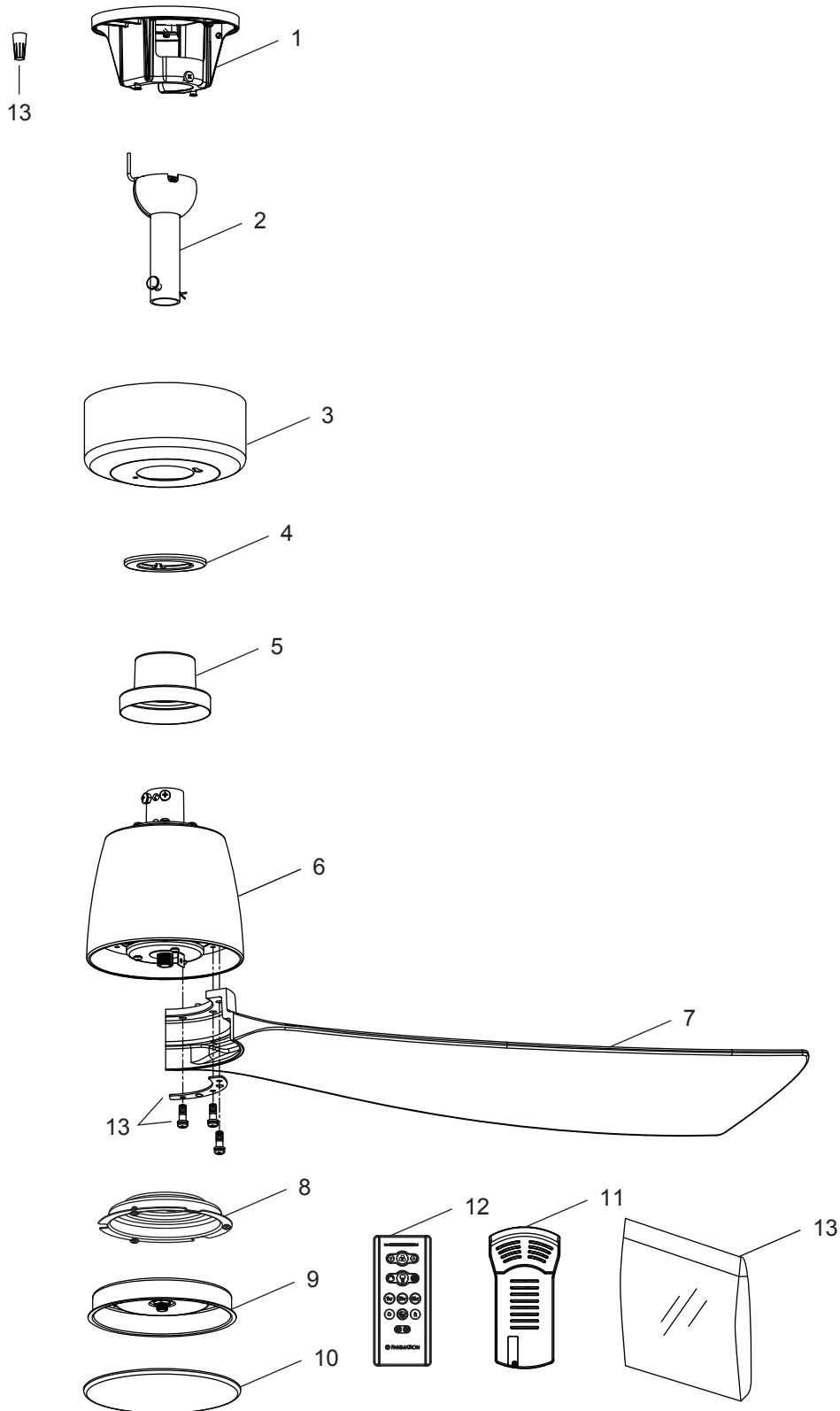
Cómo hacer un pedido de piezas

Al hacer un pedido de piezas de repuesto, proporcione siempre la siguiente información:

- Número de modelo del ventilador
- Número de pieza
- Descripción de la pieza
- Código de fecha

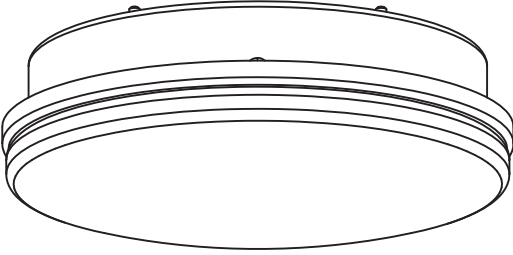
Póngase en techsupport@fanimation.com o al 1-888-567-2055 para obtener las piezas de repuesto.

KUTE™ 52
Modelo FPD8534**
Ilustración del despiece



NOTA: La ilustración que se muestra no está hecha a escala y su configuración real y/o terminación puede variar.

Kit de iluminación opcional

1	Ensamble de kit de iluminación	LK8534**
		

NOTA: La ilustración que se muestra no está hecha a escala y su configuración real y/o terminación puede variar.

Antes de desechar los materiales de embalaje, asegúrese de haber extraído todas las piezas

Cómo hacer un pedido de piezas

Al hacer un pedido de piezas de repuesto, proporcione siempre la siguiente información:

- Número de modelo del ventilador
- Número de pieza
- Descripción de la pieza
- Código de fecha

Póngase en techsupport@fanimation.com o al 1-888-567-2055 para obtener las piezas de repuesto.



10983 Bennett Parkway
Zionsville, IN 46077
Llame sin cargo al (888) 567-2055
FAX (866) 482-5215
Desde fuera de los EE.UU., llame al (317) 733-4113
Visite nuestro sitio Web en www.fanimation.com

2022/04 V.01
Copyright 2022 Fanimation