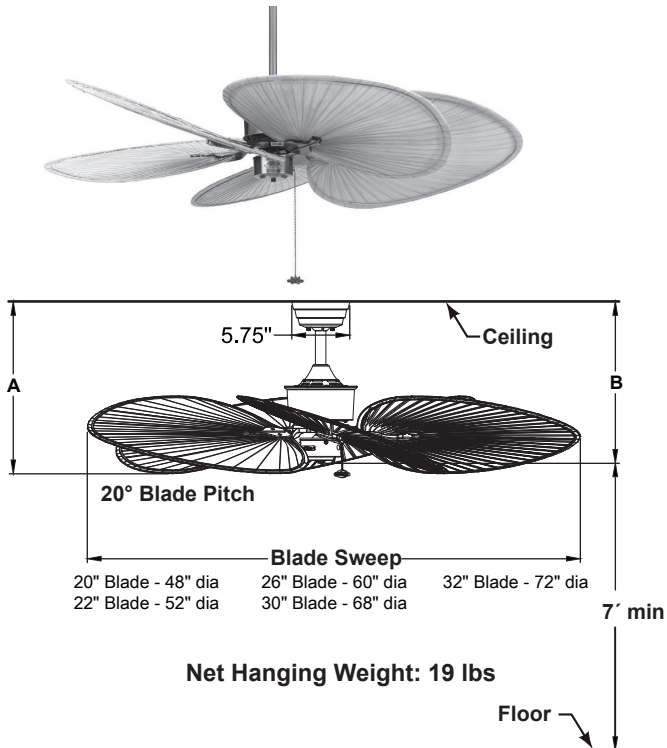


**ISLANDER®**

# FP320\*\*1 Ceiling Fan



Available Finishes	
AB	Antique brass
OB	Oil-rubbed bronze (Damp)
PW	Pewter
RS	Rust (Damp)

	A	B
Fan w/6" downrod	17.11"	16.07"
Fan w/12" downrod	23.11"	22.07"
Fan w/18" downrod	29.11"	28.07"
Fan w/24" downrod	35.11"	34.07"
Fan w/36" downrod	47.11"	46.07"
Fan w/48" downrod	59.11"	58.07"
Fan w/60" downrod	71.11"	70.07"
Fan w/72" downrod	83.11"	82.07"

**INSTALLATION REQUIREMENTS:**

Fan must be attached to a securely anchored electrical junction box capable of withstanding a load of at least 35 lbs.

**ELECTRICAL REQUIREMENTS:**

Requires a grounded electrical supply line of 120 volts AC, 60 Hz, 15 amp circuit.

**MOTOR SPECS:**

FK2100 AC motor is designed for optimal performance with this fan.

**FAN SPEEDS:**

Material, shape and size of fan blade will affect fan speed. In general, smaller blades will turn faster than larger ones and narrower blades will turn faster than the wider ones.

**BLADES:**

A variety of 5-blade sets are available in palm, bamboo, wood and composite materials. The fan can be configured using 4 blades and blade holders to increase speed and airflow. See our catalog or visit [www.fanimation.com](http://www.fanimation.com) for blade options.

**CONTROL OPTIONS:**

Three fan speeds pull chain control included. The reverse switch is located on the switch housing. Optional CW5, WC1WH, WC2WH, WR500WH, WR501WH and CWRL4 wall controls are available and optional BTR9, CRL4WH and CR500 remote controls and BTR9 receiver unit and WFR50 WiFi receiver unit are available—sold separately. Instructions are provided with each control.

**LIGHTING OPTIONS:**

Optional lighting fitters and light kits are available. See our catalog or visit [www.fanimation.com](http://www.fanimation.com) for available lighting options.

**DOWNROD OPTIONS:**

Fan comes with 1" dia. x 6" long wet-location downrod (DR1-6). Optional wet-location downrods are available in 12", 18", 24", 36", 48", 60" and 72" lengths. Fan can be mounted on a sloped ceiling up to 27°. Most sloped ceiling installations require a downrod longer than the standard 6" downrod. Optional sloped ceiling ball kits (SCB1-52) are available for slope angles greater than 27° and up to 42°. Optional close-to-ceiling kit is available as well—sold separately. Call technical support for more information.

**LOCATION USE:**

Fan is dry location rated only, except where (Damp) is noted next to above listed finish codes.

Airflow / Energy Efficiency Info (120V)					
Airflow measured with BPW10 Blade in 52" sweep					
Fan Speed	Max RPM	CFM	CFM / Watts	Amps	Watts
High	141	4788	58	0.69	82
Med	91	2944	77	0.47	38
Low	43	957	101	0.23	10

Energy Guide FTC test with BPD4 Blade			
Power (W <sub>ave</sub> )	Total Air Delivery (CFM <sub>ave</sub> )	Estimated Yearly Energy Cost (\$)	Ceiling Fan Efficiency (CFM/W)
50	1927	14	38