

# How to Wire and Operate Your BTR9 Remote Control

**NOTE:** If fan or supply wires are different colors than indicated, have this unit installed by a qualified electrician.

## **WARNING**

To avoid possible electrical shock, be sure electricity is turned off at the main fuse box before wiring. **NOTE:** If you are not sure if the outlet box is grounded, contact a licensed electrician for advice, as it must be grounded for

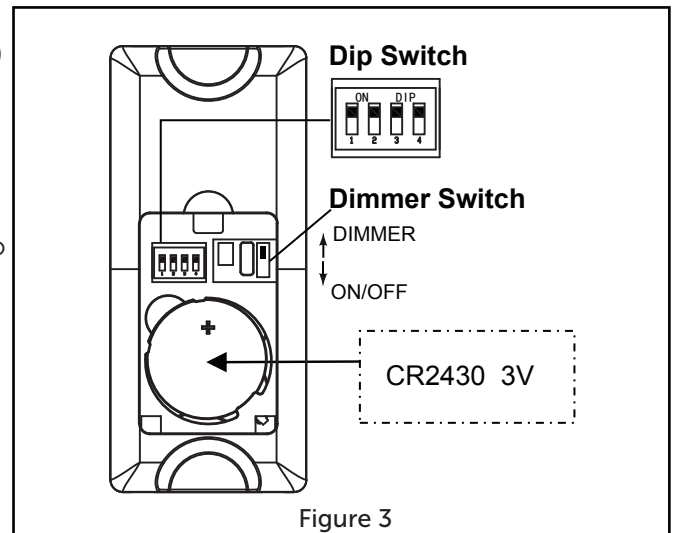
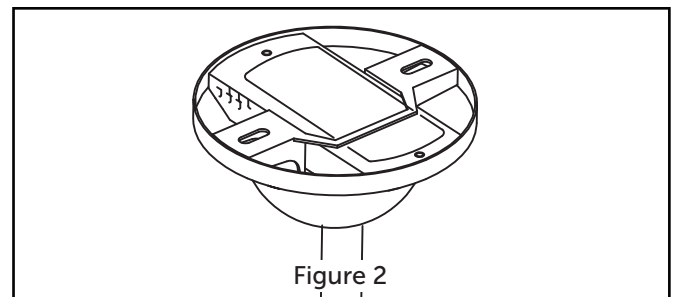
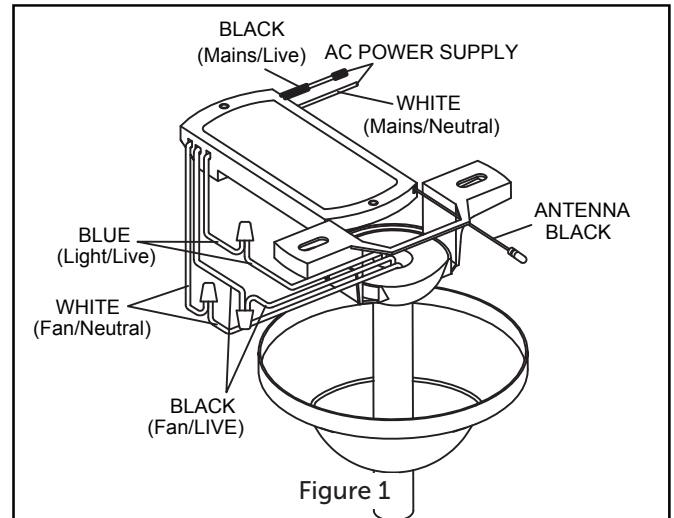
**CAUTION:** INCORRECT WIRE CONNECTION WOULD DAMAGE THIS RECEIVER.

1. Ceiling fan must be set at HIGH speed and light kit (if any) in the ON position.
2. Connect wires using connectors as shown in Figure 1.

3. Once the connection has been made, slide the receiver into the hanger bracket, taking care not to pinch the wires. The canopy comes up to cover the receiver and hanger bracket. (Figure 2)

4. **Pairing Process for Receiver & Transmitter:** (Figure 3)
  - The receiver and accompanying transmitter are matched at the factory. If replacing transmitter or receiver, you must follow the pairing process below before using the unit. The fanSync receiver can be paired to up to five (5) transmitters. **NOTE:** Smart device pairing is unlimited.
  - After installing the receiver unit, set desired transmitter code by pushing dip switches (under battery cover) up or down to the desired positions. Once code is set, restore power to your fan and press and hold the fan off button (⏏) for approximately 1 to 3 seconds. The light will blink twice and fan turn on to medium speed to indicate that the pairing process is complete. Please note that you must press the fan off button (⏏) within 30 seconds after restoring power. Re-pairing your device is not necessary after replacing the battery. Each fanSync receiver can pair to five different transmitters (with different dip switch codes). If light kit uses CFL bulbs, please slide the "light dimmer function select switch" to on/off position. If incandescent light bulbs are installed, please slide the "light dimmer function select switch" to dimmer position.

**NOTE:** Transmitters can pair to multiple receivers, when performing the pairing process take care not to pair the transmitter to unintended receivers. It is suggested that fans more than seven feet apart be on separate power switches.



## 5. Functions of Transmitter (Figure 4)

LIGHT ON/OFF: Press and release button immediately to turn light on or off.



LIGHT DIMMER: Press and hold to dim or brighten light to desired level and release.

Dimming feature is not available with certain bulbs, i.e. CFLs

□ : Turns off ceiling fan.

••• : Turns on ceiling fan to high speed

•• : Turns on ceiling fan to medium speed

• : Turns on ceiling fan to low speed

*To use your smart device to control your receiver, download the fanSync app from your app store.*

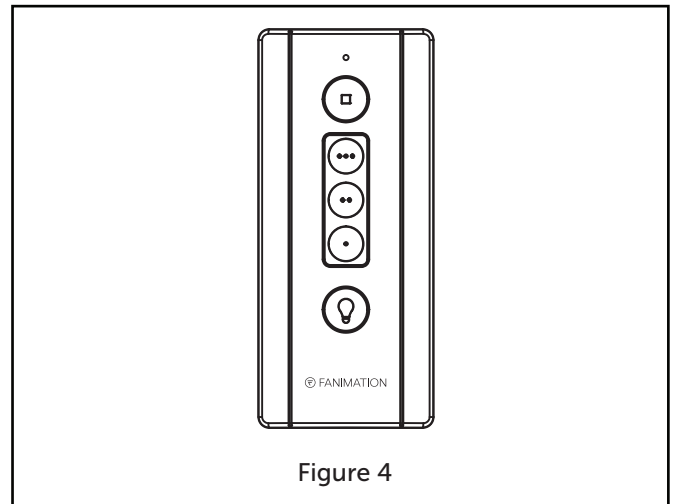


Figure 4

## 6. Installing Wall Plate: (Figure 5)

Attach wall plate using the two provided screws.

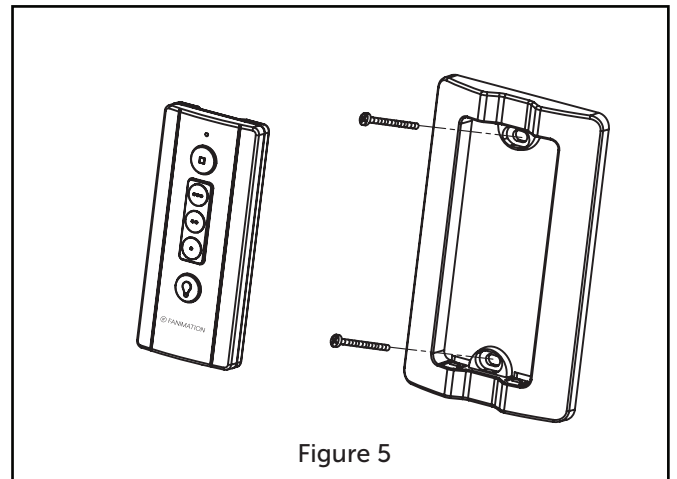


Figure 5