

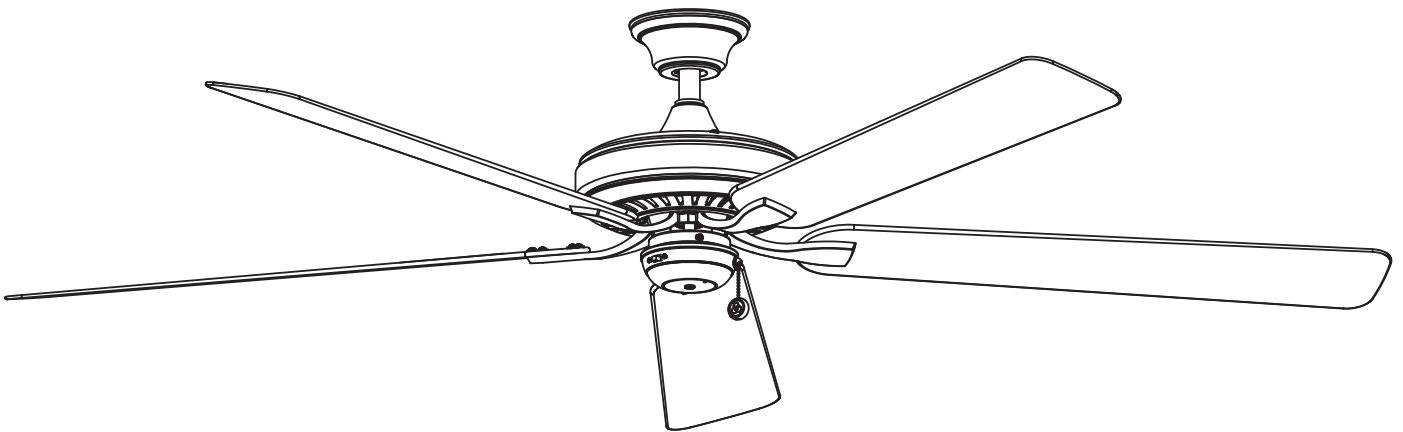


FANIMATION®  
SHOWROOM COLLECTION

## EDGEWOOD™ 72 CEILING FAN

MODEL #FP9072\*\*

Español p. 21



**ATTACH YOUR RECEIPT HERE AND REGISTER YOUR FAN AT [FANIMATION.COM](http://FANIMATION.COM)  
READ AND SAVE THESE INSTRUCTIONS**

**Date Code** \_\_\_\_\_ **Purchase Date** \_\_\_\_\_ Net Weight 36.84 lbs (16.71 kgs)

For best and quickest service please provide date code. You can find the date code on the carton or top of fan housing.



**Questions, problems, missing parts?** Before returning to your retailer, call our customer service department at 1-888-567-2055, 8 a.m.-5 p.m., EST, Monday-Friday.

## Important Safety Instructions

**WARNING: To avoid fire, shock and serious personal injury, follow these instructions.**

1. Read your owner's manual and safety information before installing your new fan. Review the accompanying assembly diagrams.
2. Before servicing or cleaning unit, switch power off at service panel and lock service panel disconnecting means to prevent power from being switched on accidentally. When the service disconnecting means cannot be locked, securely fasten a warning device, such as a tag, to the service panel.
3. Be careful of the fan and blades when cleaning, painting, or working near the fan. Always turn off the power to the ceiling fan before servicing.
4. Do not insert anything into the fan blades while the fan is operating.
5. Do not operate reversing switch until fan blades have come to a complete stop.
6. The appliance is not intended for use by young children or infirm persons without supervision. Young children should be supervised to ensure that they do not play with the appliance.

## Additional Safety Instructions

1. To avoid possible shock, be sure electricity is turned off at the fuse box before wiring, and do not operate fan without blades.
2. All wiring and installation procedures must satisfy National Electrical Codes (ANSI/ NFPA 70) and Local Codes. The ceiling fan must be grounded as a precaution against possible electrical shock. Electrical installation should be made or approved by a licensed electrician.
3. The fan base must be securely mounted and capable of reliably supporting at least 35 lbs. See page 5 of owner's manual for support requirements. Consult a qualified electrician if in doubt.
4. The fan must be mounted with the fan blades at least 7 feet from the floor to prevent accidental contact with the fan blades.
5. Follow the recommended instructions for the proper method of wiring your ceiling fan. If you do not have adequate electrical knowledge or experience, have your fan installed by licensed electrician.
6. This fan is to be used in wet locations.
7. For supply connections, if the conductor of a fan is identified as a grounded conductor, then it should be connected to a grounded conductor power supply. If the conductor of a fan is identified as an ungrounded conductor, then it should be connected to an ungrounded conductor power supply. If the conductor of a fan is identified for equipment grounding, then it should be connected to an equipment grounding conductor.

**WARNING:** TO REDUCE THE RISK OF ELECTRIC SHOCK, THIS FAN MUST BE INSTALLED WITH A GENERAL USE ISOLATING WALL CONTROL/SWITCH.

**WARNING:** This product is designed to use only those parts supplied with this product and/or accessories designated specifically for use with this product. Using parts and/or accessories not designated for use with this product could result in personal injury or property damage.

**WARNING:** To reduce the risk of personal injury, do not bend the blade bracket (flange or blade holder) when installing the brackets, balancing the blades, or cleaning the fan. Do not insert foreign objects in between rotating fan blades.

**WARNING:** Do not operate this fan with a variable (Rheostat) wall controller or dimmer switch. Doing so could result in damage to the ceiling fan's remote control unit.

**WARNING:** To Reduce The Risk Of Fire Or Electric Shock, Do Not Use This Fan With Any Solid-State Speed Control Device.

**This device complies with Part 15 of the FCC Rules. Operation is subject to the following two conditions:**

**(1) This device may not cause harmful interference, and (2) this device must accept any interference received, including interference that may cause undesired operation. Please note that changes or modifications not expressly approved by the party responsible for compliance could void the user's authority to operate the equipment.**

**Note:** This equipment has been tested and found to comply with the limits for Class B digital device, pursuant to part 15 of the FCC Rules. These limits are designed to provide reasonable protection against harmful interference in a residential installation.

**This equipment generates, uses and can radiate radio frequency energy and, if not installed and used in accordance with the instructions, may cause harmful interference to radio or television reception, which can be determined by turning the equipment off and on, the user is encouraged to try to correct the interference by one or more of the following measures:**

- Reorient or relocate the receiving antenna.
- Increase the separation between the equipment and the receiver.
- Connect the equipment into an outlet on a circuit different from that to which the receiver is connected.

**Consult the dealer or an experienced radio/TV technician for help.**

## **LIMITED LIFETIME WARRANTY**

**Extends to the original purchaser of a Fanimation fan from an authorized Fanimation dealer/retailer only**

1. **LIMITED LIFETIME MOTOR WARRANTY** - If any part of your fan motor fails, due to a defect in materials or workmanship during the lifetime of the original purchaser, Fanimation will provide the replacement part free of charge, when the defective fan is returned to our national service center. Proof of purchase is required. Customer shall be responsible for all costs incurred in the removal or reinstallation and shipping of the product for repairs or replacement.
2. **ONE YEAR MOTOR LABOR WARRANTY** - If your fan motor fails at any time within one year from the original purchase, due to defects in materials or workmanship, labor to repair the motor will be provided free of charge at our national service center. Purchaser will be responsible for labor charges after this one-year period. Customer shall be responsible for all costs incurred in the removal or reinstallation and shipping of the product for repairs or replacement.
3. If any other part of your fan fails at any time within one year after original purchase, due to a defect in materials or workmanship, we will repair, or replace, at our option, the defective part free of charge for parts and labor performed at our national service center.
4. Because of varying climate conditions, this warranty does not cover changes in the finish, including rusting, pitting, corroding, tarnishing, or peeling.
5. This warranty is void and does not apply to damage from improper installation, neglect, accident, misuse, exposure to extremes of heat or humidity, or as a result of any modification to the original product.
6. All costs of removal and reinstallation of the fan are the sole responsibility of the owner of the fan and not the store that sold the fan or Fanimation.
7. Fanimation reserves the right to modify or discontinue any product at any time and may substitute any part under this warranty.
8. Under no circumstances may a fan be returned without prior authorization from Fanimation. The receipt of purchase must accompany authorized returns and must be sent freight prepaid to Fanimation. The fan to be returned must be properly packed to avoid damage in transit; Fanimation will not be responsible for any damage resulting from improper packaging.
9. It is understood that any repair or replacement is the exclusive remedy available from Fanimation. There is no other expressed or implied warranty. Fanimation hereby disclaims any and all implied warranties, including, but not limited to those of merchantability and fitness for a particular purpose to the extent permitted by law. Some states do not allow limitations on implied warranties. Fanimation will not be liable for incidental, consequential, or special damages arising out of or in conjunction with product use or performance, except as may otherwise be accorded by law. This warranty gives you special legal rights and you may also have other rights that vary from state to state.
10. A certain amount of wobble is normal and should not be considered a problem or a defect.

## **Table of Contents**

<b>Unpacking Instructions</b> . . . . .	<b>4</b>	<b>How to Assemble Your Ceiling Fan Blades</b> . . . . .	<b>14</b>
<b>Energy Efficient Use of Ceiling Fans</b> . . . . .	<b>5</b>	<b>How to Assemble Your Switch Cup Assembly</b> . . . . .	<b>14</b>
<b>Electrical and Structural Requirements</b> . . . . .	<b>5</b>	<b>How to Operate Your Ceiling Fan</b> . . . . .	<b>15</b>
<b>How to Assemble Your Ceiling Fan (Downrod)</b> . . . . .	<b>7</b>	<b>Maintenance</b> . . . . .	<b>16</b>
<b>How to Assemble Your Ceiling Fan (Close-to-Ceiling)</b> . . . . .	<b>8</b>	<b>How to Clean Your Ceiling Fan Blades</b> . . . . .	<b>16</b>
<b>How to Hang Your Ceiling Fan</b> . . . . .	<b>9</b>	<b>Troubleshooting</b> . . . . .	<b>17</b>
<b>How to Wire Your Ceiling Fan</b> . . . . .	<b>11</b>	<b>Parts List</b> . . . . .	<b>18</b>
<b>How to Install Your Canopy Housing (Downrod)</b> . . . . .	<b>12</b>	<b>Exploded-View Illustration</b> . . . . .	<b>19</b>
<b>How to Install Your Canopy Housing (Close-to-Ceiling)</b> . . . . .	<b>13</b>		

This manual is designed to make it as easy as possible for you to assemble, install, operate and maintain your ceiling fan

## Tools Needed for Assembly (Not Included)

- One Phillips head screwdriver
- One step ladder
- One 1/4" blade screwdriver
- One wire stripper

## Materials

Wiring outlet box and box connectors must be of type required by local code. The minimum wire would be a 3-conductor (2-wire with ground) of the following size:

Installed Wire Length	Wire Size A.W.G.
Up to 50 ft.	14
50-100 ft.	12

**NOTE:** Place the parts from the loose parts bags in a small container to keep them from being lost. If any parts are missing, contact your local retailer.

### **⚠ WARNING**

Before assembling your ceiling fan, refer to section on proper method of wiring your fan (page 11). If you feel you do not have enough wiring knowledge or experience, have your fan installed by a licensed electrician.

## Unpacking Instructions

For your convenience, check-off each step. As each step is completed, place a check mark. This will ensure that all steps have been completed and will be helpful in finding your place should you be interrupted.

### **⚠ WARNING**

Do not install or use fan if any part is damaged or missing. This product is designed to use only those parts supplied with this product and/or any accessories designated specifically for use with this product by Fanimation. Substitution of parts or accessories not designated for use with this product by Fanimation could result in personal injury or property damage. Contact your retail store for missing or damaged parts.

1. Check to see that you have received the following parts:

**NOTE:** If you are uncertain of part description, refer to exploded view illustration.

<b>Hanger Bracket Assembly (1)</b>	<b>Ceiling Canopy (1)</b>	<b>Motor Assembly (1)</b>	<b>Switch Cup Assembly (1)</b>	<b>Blade Holder Set (1)</b>
<b>Downrod/Hanger Ball Assembly (1)</b> – Downrod (1) – Hairpin Clip (1) – Hanger Ball (1) – Clevis Pin (1) – Set Screw (1) – Pin (1)	<b>Motor Coupling Cover Assembly (1)</b>	<b>Blade Set (1)</b>		
<b>Canopy Screw Cover (1)</b>	<b>Canopy Trim Ring (1)</b>			
<b>Hardware Bags</b>				
<b>1/4"-20 Phillips Head Screws, Stainless Steel with Lock Washers, Stainless Steel (11)</b>	<b>3/16"-24 Serrated Head Screws, Stainless Steel (21)</b>	<b>#8-32 Outlet Box Screws, Stainless Steel (2)</b>	<b>Fan Fob (1)</b>	<b>Pull Chain Coupler (1)</b>
<b>Flat Washers, Stainless Steel (21)</b>	<b>Flat Washers, Stainless Steel (2)</b>	<b>Wire Connectors (4)</b>	<b>Safety Cable Kit (1)</b>	<b>Flat Washer, Stainless Steel (1)</b>
		<b>Cable Clamp (1)</b>	<b>Lag Bolt (1)</b>	

---

## Energy Efficient Use of Ceiling Fans

Ceiling fan performance and energy savings rely heavily on the proper installation and use of the ceiling fan. Here are a few tips to ensure efficient product performance.

### Choosing the Appropriate Mounting Location

Ceiling fans should be installed, or mounted, in the middle of the room and at least 7 feet from floor to the blade and 18 inches from wall to the blade. If ceiling height allows, install the fan 8 - 9 feet from floor to the blade for optimal airflow. Consult your Fanimation Retailer for optional mounting accessories.

### Turn Off When Not in the Room

Ceiling fans cool people, not rooms. If the room is unoccupied, turn off the ceiling fan to save energy.

### Using the Ceiling Fan Year Round

**Summer Season:** Use the ceiling fan in the counterclockwise direction. The airflow produced by the ceiling fan creates a wind-chill effect, making you “feel” cooler. Select a fan speed that provides a comfortable breeze, lower speeds consume less energy.

**Winter Season:** Reverse the motor and operate the ceiling fan at low speed in the clockwise direction. This produces a gentle updraft, which forces warm air near the ceiling down into the occupied space. Remember to adjust your thermostat when using your ceiling fan—additional energy and dollar savings could be realized with this simple step!

---

## Electrical and Structural Requirements

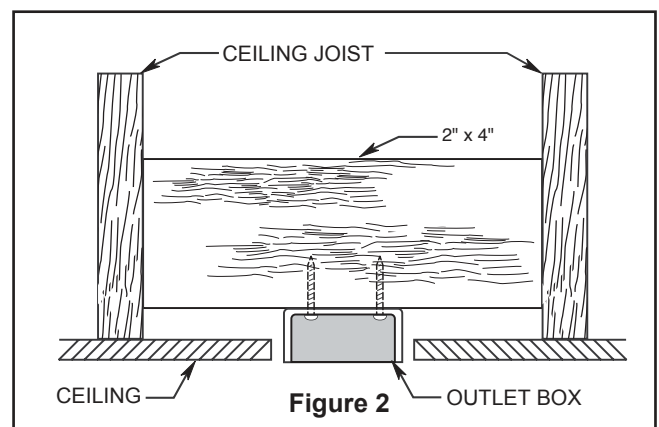
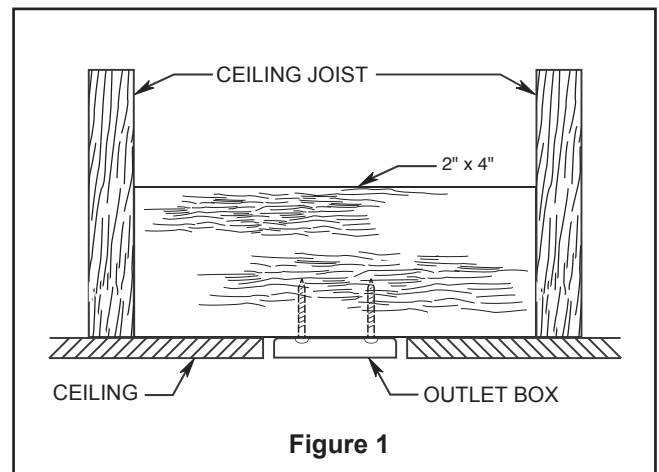
Your new ceiling fan will require a grounded electrical supply line of 120 volts AC, 60 HZ, 15 Amp Circuit. Electrical code requires use of a fan-rated outlet box to support the extra weight and motion associated with a ceiling fan. A fan-rated box will be labeled as such and typically supports up to a 70lb ceiling fan. Fan-Rated Outlet Boxes vary in ratings and design. Ensure the ratings of your ceiling fan outlet box meet the requirements for the ceiling fan being installed. Figure 1, Figure 2 and Figure 3 depicts different structural configurations that may be used for mounting the outlet box.

### Low profile box (Figure 1)

A 1/2-in.-deep pancake box is meant to be screwed to a joist or block. It's used if only one cable is coming into the box. It is also available in a saddle-mount configuration.

### Deep box (Figure 2)

A 2-1/4-in.-deep box can be attached to blocking between joists and is roomy enough to handle more than one cable.



## Electrical and Structural Requirements (Continued)

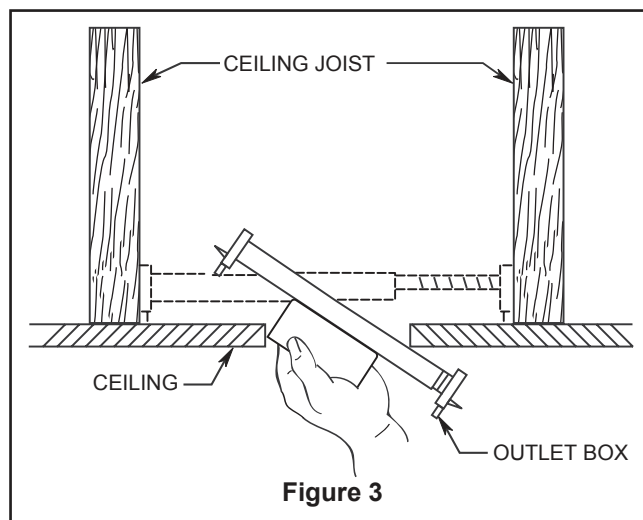
### Deep box with brace (Figure 3)

Paired with a deep box, this hanger is meant to span between two joists and takes the place of wooden blocking.

#### **⚠ WARNING**

To reduce the risk of fire, electric shock, or personal injury, mount to outlet box marked acceptable for fan support of 15.9 kg (35 lbs) or less and use mounting screws provided with the outlet box. Most outlet boxes commonly used for the support of luminaires are not acceptable for fan support and may need to be replaced, consult a qualified electrician if in doubt.

If your fan is to replace an existing light fixture, turn electricity off at the main fuse box at this time and remove the existing light fixture.



#### **⚠ WARNING**

Turning off wall switch is not sufficient. To avoid possible electrical shock, be sure electricity is turned off at the main fuse box before wiring. All wiring must be in accordance with National and Local codes and the ceiling fan must be properly grounded as a precaution against possible electrical shock.

#### **⚠ WARNING**

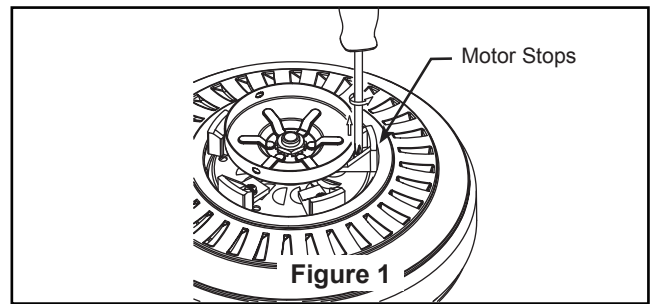
To avoid fire or shock, follow all wiring instructions carefully. Any electrical work not described in these instructions should be done or approved by a licensed electrician.

#### **⚠ WARNING**

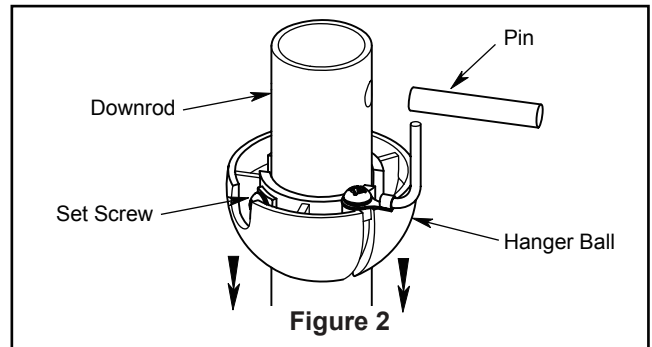
Do not operate this fan with a variable (Rheostat) wall controller or dimmer switch. Doing so could result in damage to the ceiling fan's remote control unit.

# How to Assemble Your Ceiling Fan (Downrod)

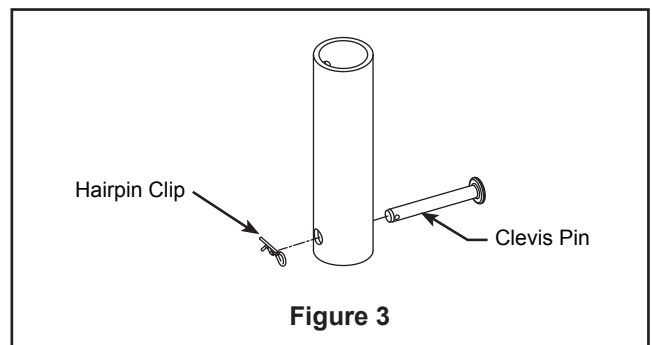
- 1. Remove and discard the five rubber motor stops from the motor assembly by removing the screws. (Figure 1)



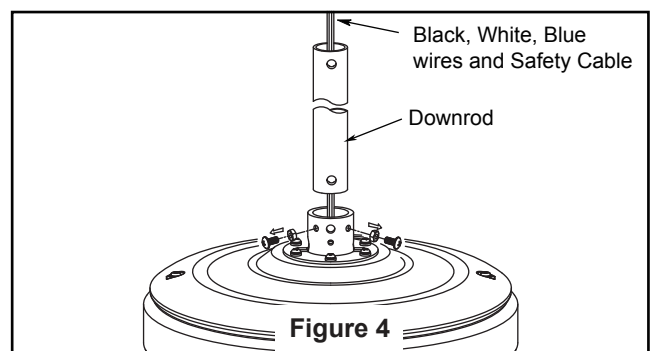
- 2. Remove the hanger ball portion from the downrod/hanger ball assembly by loosening the set screw in the hanger ball until the ball falls freely down the downrod. Remove the pin from the downrod, then remove the hanger ball. Retain the pin and hanger ball for reinstallation in Step 7. (Figure 2)



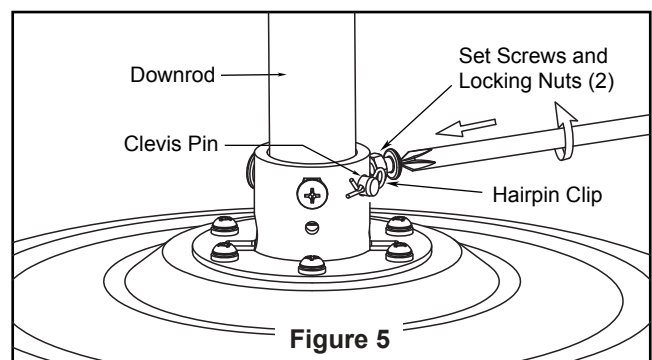
- 3. Remove the hairpin clip and clevis pin from the bottom of downrod. Retain the pin and clip for reinstallation in step 5. (Figure 3)



- 4. Loosen the two set screws and locking nuts in the downrod support of the motor assembly. Route the black, white, blue wires and safety cable through the downrod. (Figure 4)



- 5. Slide downrod into the downrod support on top of the motor. Install the clevis pin by aligning the holes in the downrod support with holes in the downrod. Secure clevis pin with hairpin clip. Tighten the two set screws with nuts in the downrod support. (Figure 5)

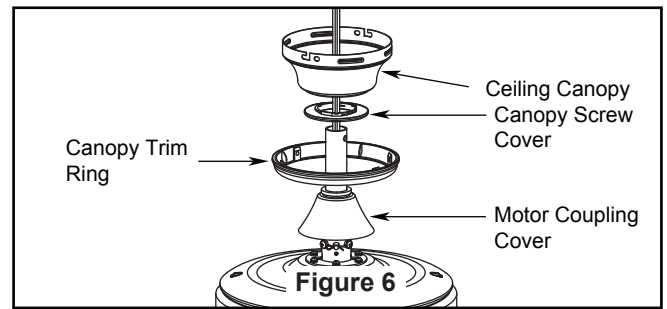


## **⚠ WARNING**

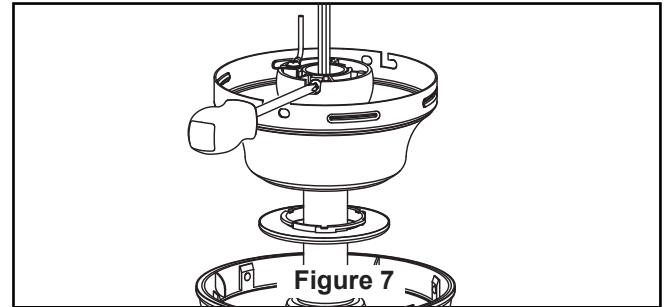
It is critical that the clevis pin in the downrod support is properly installed and the set screws and nuts are securely tightened. Failure to do so could result in the fan falling.

## How to Assemble Your Ceiling Fan (Downrod)-Continued

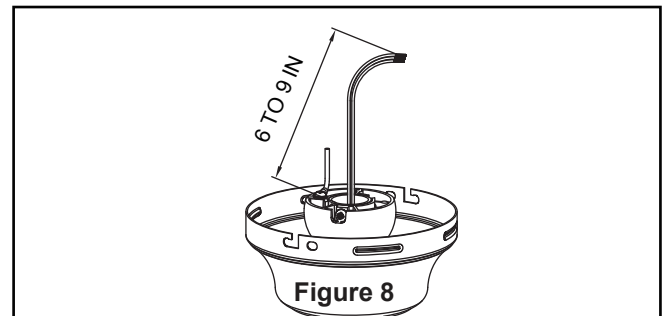
6. Route wires and safety cable through motor coupling cover, canopy trim ring, canopy screw cover and ceiling canopy. (Figure 6)



7. Reinstall the hanger ball on the downrod as follows. Route the black, white, blue wires and safety cable through the hanger ball. Position the pin through the two holes in the downrod and align the hanger ball so the pin is captured in the groove in the top of the hanger ball. Pull the hanger ball up tight against the pin. Securely tighten the set screw in the hanger ball. A loose set screw could cause fan wobble. (Figure 7)



8. Cut off excess lead wire approximately 6 to 9 inches above top of the downrod. Strip insulation off 1/2 inch from the end of each lead wire. (Figure 8)

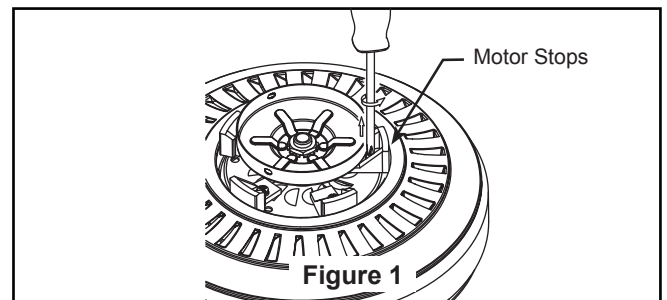


### CAUTION

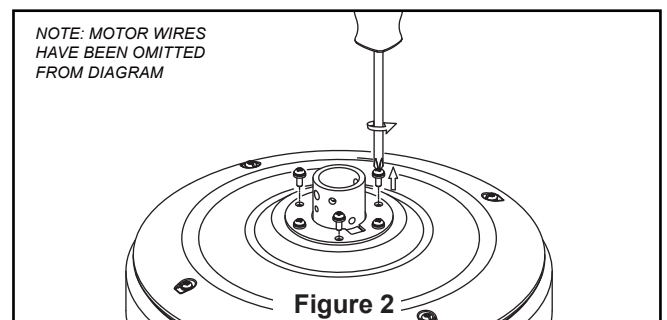
All set screws must be checked, and retightened where necessary before installation.

## How to Assemble Your Ceiling Fan (Close-to-Ceiling)

1. Remove and discard the five rubber motor stops from the motor assembly by removing the screws. (Figure 1)



2. Alternating positions, remove three motor coupling screws from motor assembly and retain the screws for Step 4. (Figure 2)

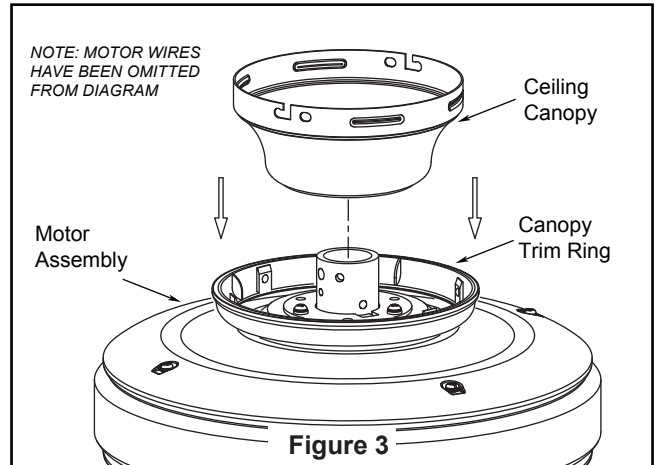


NOTE: MOTOR WIRES  
HAVE BEEN OMITTED  
FROM DIAGRAM

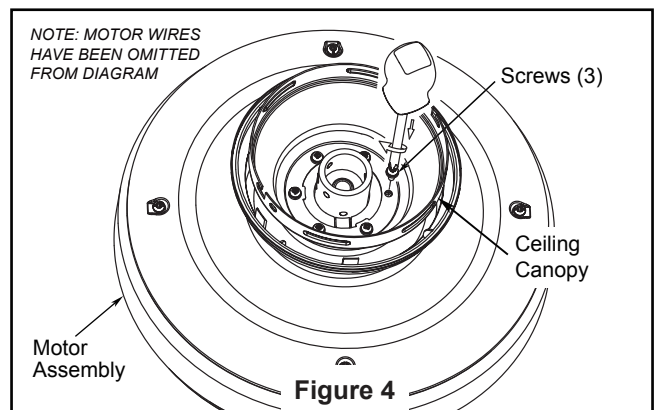


# How to Assemble Your Ceiling Fan (Close-to-Ceiling)-Continued

- 3. Route your fan wires and safety cable through the canopy trim ring and ceiling canopy. (Figure 3)



- 4. Align the three big slots in the ceiling canopy to the three screws in the motor coupler. Firmly attach the canopy cover to the motor with the previously removed screws. (Figure 4)

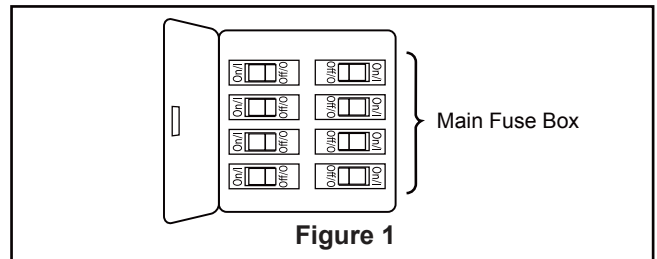


# How to Hang Your Ceiling Fan

**⚠ WARNING**

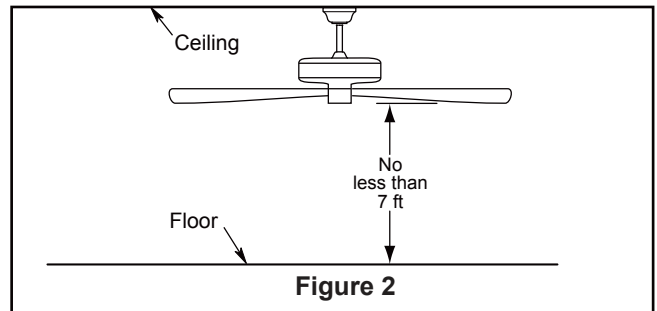
To avoid possible fire or shock, be sure electricity is turned off at the main fuse box before hanging. (Figure 1)

NOTE: If you are not sure if the outlet box is grounded, contact a licensed electrician for advise, as it must be grounded for safe operation.



**⚠ WARNING**

The fan must be hung with at least 7' of clearance from floor to blades. (Figure 2)



## How to Hang Your Ceiling Fan (Continued)

1. Completely remove one screw from either side of the hanger bracket--be sure it is the screw to your right when facing it--and keep for reinstallation on page 12 or 13 (**How to Install Your Canopy Housing**). Loosen the other two screws that were not removed. (Figure 3)

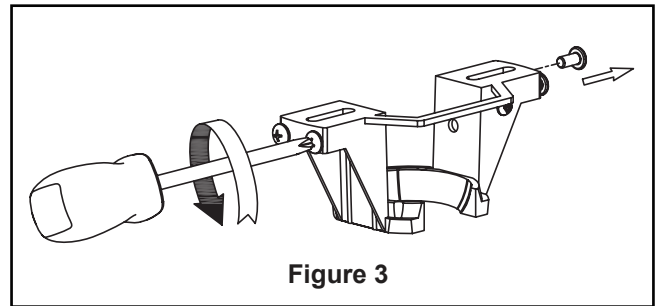


Figure 3

### For Downrod Fan

2. Securely attach the hanger bracket to the outlet box using the outlet box screws and washers supplied with the fan. (Figure 4)

#### **⚠ WARNING**

The outlet box must be securely anchored. Hanger bracket must seat firmly against outlet box. If the outlet box is recessed, remove wall board until bracket contacts box. If bracket and/or outlet box are not securely attached, the fan could wobble or fall.

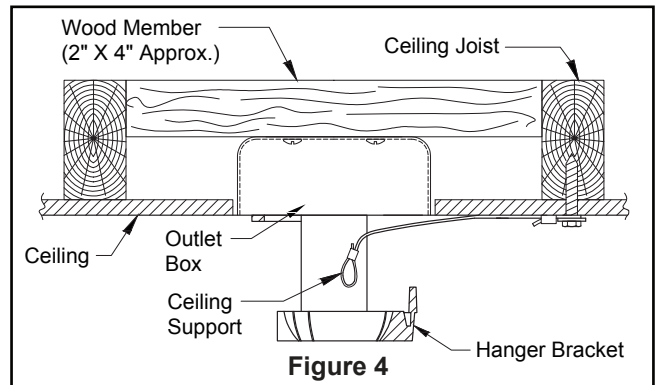


Figure 4

3. Using the 3/8" x 2" lag bolt and flat washer, attach safety cable to ceiling joist or wood structural member. The lag bolt will pass through the flat washer, safety cable loop, and into the building structure (Figure 4). You will first drill a 1/4" pilot hole into the building structure to prevent splitting or cracking.

**NOTE:** Ceiling support cable cannot be secured to outlet box only, it must be directly secured to ceiling joist or structural member using the 3/8" x 2" lag bolt and flat washer. (Figure 4)

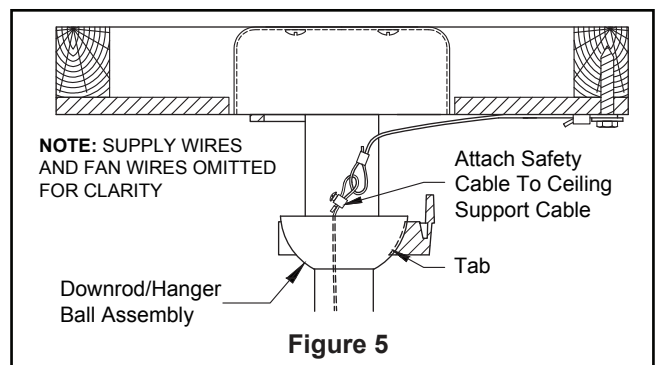


Figure 5

4. Make sure the electrical supply wires, including the hanger bracket grounding wire and safety cable are pulled through the downrod, between the hanger bracket and the outlet box so that electrical connections can be made later.

5. Carefully lift the fan and seat the downrod/hanger ball assembly onto the hanger bracket that was just attached to the ceiling joist. Be sure the groove in the ball is lined up with tab on the hanger bracket. (Figure 5)

6. Attach the safety cable to ceiling support cable. Slide cable clamp onto safety cable (from fan). Place the end of cable through the loop of ceiling support cable. Pull as much cable through loop as possible. Feed end of cable into clamp hole and firmly tighten screw (Figure 5). Cut off excess safety cable.

**NOTE:** If you have installed your fan with the Downrod, skip steps 7, 8, 9 and 10.

#### **⚠ WARNING**

Failure to seat tab in groove could cause damage to electrical wires and possible shock or fire hazard.

#### **⚠ WARNING**

To avoid possible shock, do not pinch wires between the hanger ball assembly and the hanger bracket.

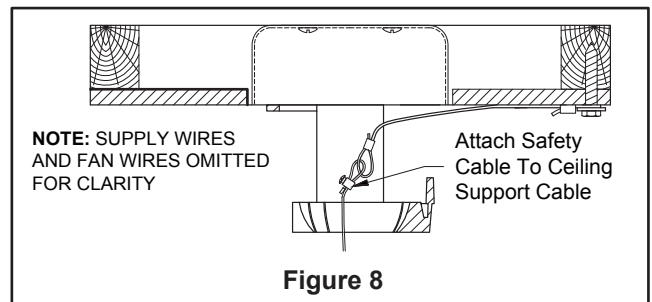
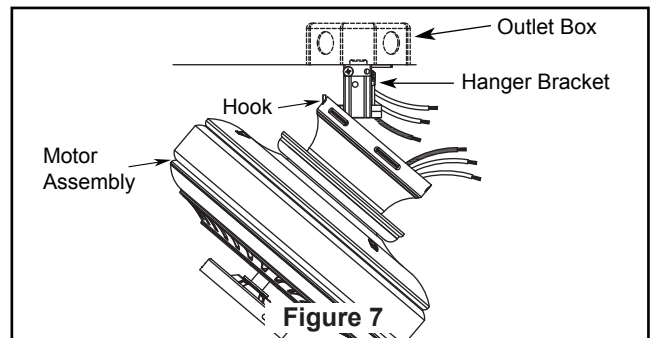
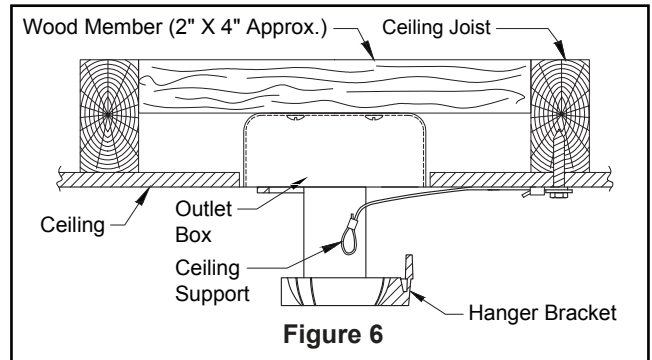
## How to Hang Your Ceiling Fan (Continued)

### For Close-to-Ceiling Fan

- 7. Securely attach the hanger bracket to ceiling fan outlet box using the outlet box screws and washers supplied with the fan. (Figure 6)
- 8. Using the 3/8" x 2" lag bolt and flat washer, attach safety cable to ceiling joist or wood structural member. The lag bolt will pass through the flat washer, safety cable loop, and into the building structure (Figure 6). You will first drill a 1/4" pilot hole into the building structure to prevent splitting or cracking.

**NOTE:** Ceiling support cable cannot be secured to outlet box only, it must be directly secured to ceiling joist or structural member using the 3/8" x 2" lag bolt and flat washer. (Figure 6)

- 9. Hook the motor assembly onto the hanger bracket assembly as shown (Figure 7).
- 10. Attach the safety cable to ceiling support cable. Slide cable clamp onto safety cable (from fan). Place the end of cable through the loop of ceiling support cable. Pull as much cable through loop as possible. Feed end of cable into clamp hole and firmly tighten screw (Figure 8). Cut off excess safety cable. You can now proceed with the electrical wiring of your fan.

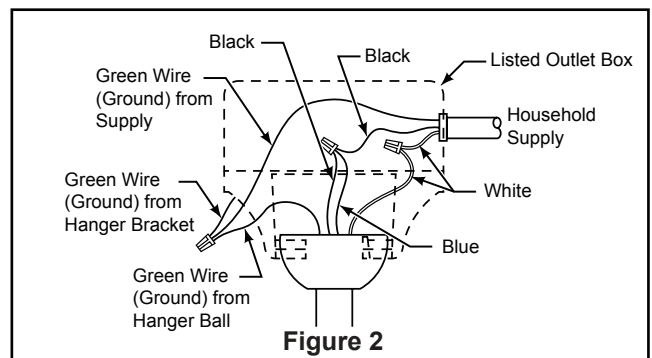
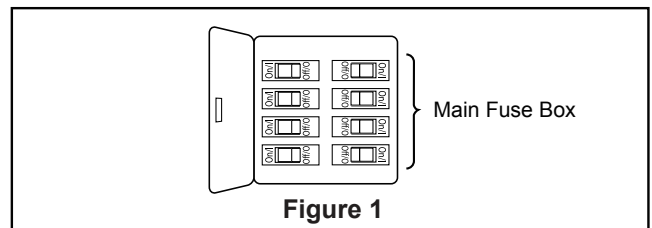


## How to Wire Your Ceiling Fan

### **⚠ WARNING**

To avoid possible electrical shock, be sure electricity is turned off at the main fuse box before wiring. (Figure 1)

- 1. Connect the green grounding lead from the hanger ball and the green grounding lead from the hanger bracket to the supply grounding conductor (this may be a bare wire or wire with green colored insulation). Securely connect wires with wire connectors supplied. (Figure 2)
- 2. Securely connect the white fan motor wire to the white supply (neutral) wire using wire connector supplied. Securely connect the black fan motor wire and blue wire to the black supply wire using wire connector supplied. (Figure 2)



## How to Wire Your Ceiling Fan (Continued)

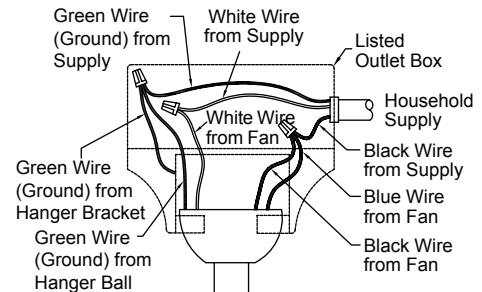
3. After connections have been made, turn leads upward and carefully push leads into the outlet box, with the white and green leads to one side of the box and the black leads toward the other side. (Figure 3)

### **⚠ WARNING**

Check to see that all connections are tight, including ground, and that no bare wire is visible at the wire connectors, except for the ground wire. Do not operate fan until the blades are in place. Noise and fan damage could result.

### HARDWARE USED:

Wire Connectors  X 3



## How to Install Your Canopy Housing (Downrod)

1. Slide the ceiling canopy over the mounting bracket with the two loosened screws going into the "L" slots in the canopy. Be sure all wiring is tucked into the ceiling canopy and is not pinched. Once the canopy is flush with your ceiling, turn clockwise to seat the screws into the keyed portion of the slot. Tighten the screws and install the remaining two screws removed in step 1 of page 10 (**How to Hang Your Ceiling Fan**) to secure the ceiling canopy to the hanger bracket. (Figure 1)

2. Assemble the canopy screw cover, by twisting in a clockwise direction and up to the ceiling canopy. (Figure 2)

### **⚠ WARNING**

To avoid possible fire or shock, make sure that the electrical wires are completely inside the canopy housing and not pinched between the housing and the ceiling.

3. Push the canopy trim ring up to conceal the screws, such that the mounting tabs seat into the dimpled grooves in the ceiling canopy midway between the screws. (Figure 3)

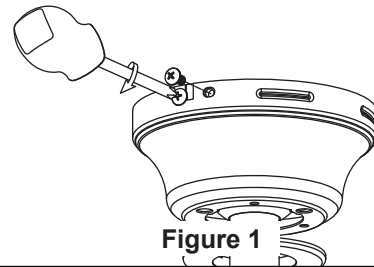


Figure 1

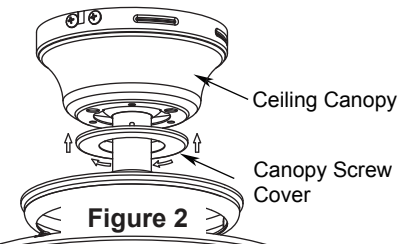


Figure 2

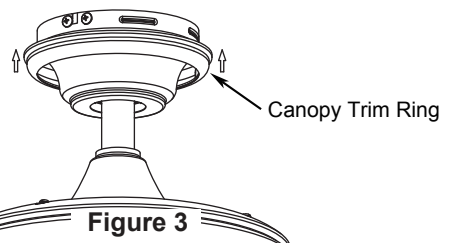
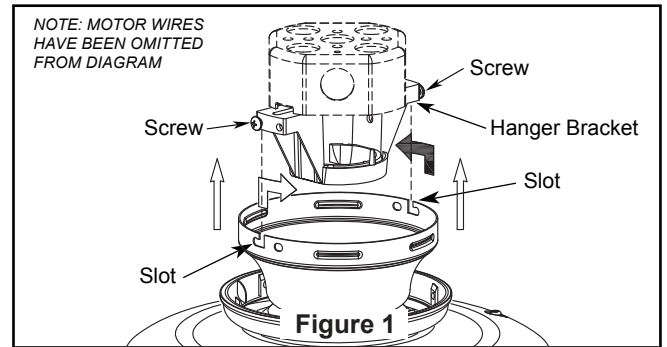


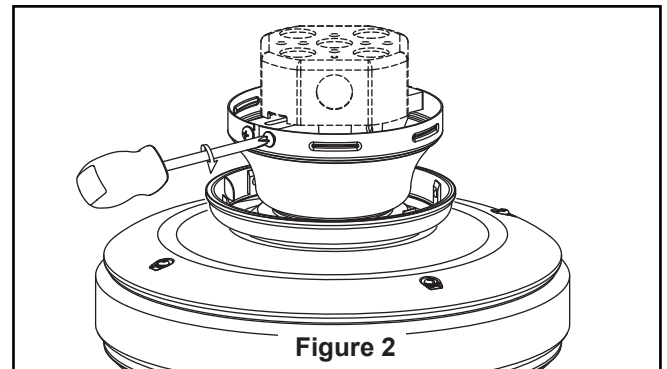
Figure 3

## How to Install Your Canopy Housing (Close-to-Ceiling)

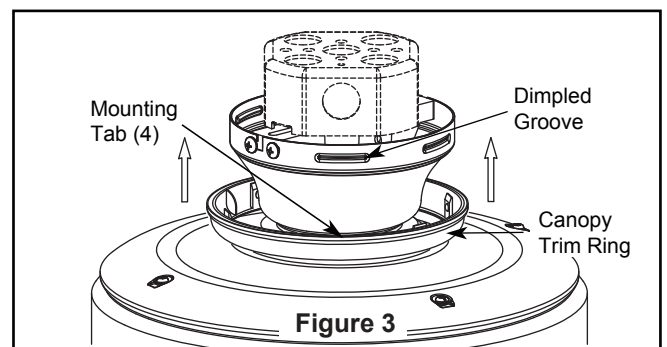
1. Lift the fan off the hanger bracket hook and mount your fan by sliding the ceiling canopy over the mounting bracket with the two loosened screws going into the "L" slots in the canopy. Be sure all wiring is tucked into the ceiling canopy and is not pinched. Once the canopy is flush with your ceiling, turn clockwise to seat the screws into the keyed portion of the slot. Tighten the screws. (Figure 1)



2. Install the remaining two screws removed in step 1 of page 10 (**How to Hang Your Ceiling Fan**) to secure the ceiling canopy to the hanger bracket. (Figure 2)



3. Push the canopy trim ring up to conceal the screws, such that the mounting tabs seat into the dimpled grooves in the ceiling canopy midway between the screws. (Figure 3)

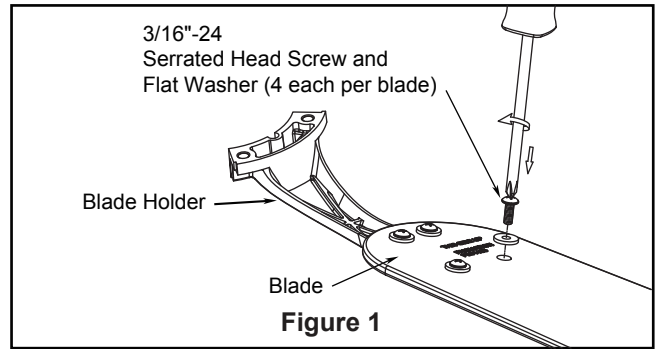


## How to Assemble Your Ceiling Fan Blades

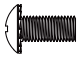

### CAUTION

Do not connect fan blades until the fan is completely installed. Installing the fan with blades assembled may result in damage to the fan blades.

1. Position the blade over the blade holder with threaded posts showing. Make sure the bottom edge of the blade is fully seated against the blade holder. With a phillips screwdriver, tighten 3/16"-24 serrated head screws with flat washers to secure the blade to the blade holder. (Figure 1)

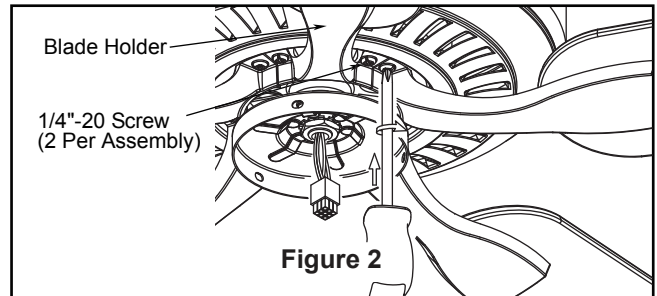


### HARDWARE USED:

3/16"-24 Serrated Head Screw		X 20
Flat Washer		X 20

2. Attach assembled blade holders to the motor hub using the provided screws with lock washers in HARDWARE bag. Make sure the screws securing the blade holders to the motor hub are tight and that the blade holders are properly seated. (Figure 2)

**NOTE:** Periodically check blade holder hardware and resecure if necessary.



### HARDWARE USED:

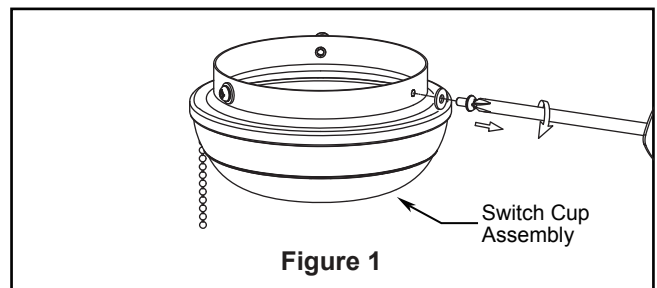
1/4"-20 Screw		X 10
------------------	--	------

### CAUTION

To reduce the risk of personal injury, do not bend the blade holders when installing, balancing the blades or cleaning the fan. Do not insert foreign objects in between the rotating blades.

## How to Assemble Your Switch Cup Assembly

1. Remove the three screws from the switch cup assembly and retain screws for later. (Figure 1)

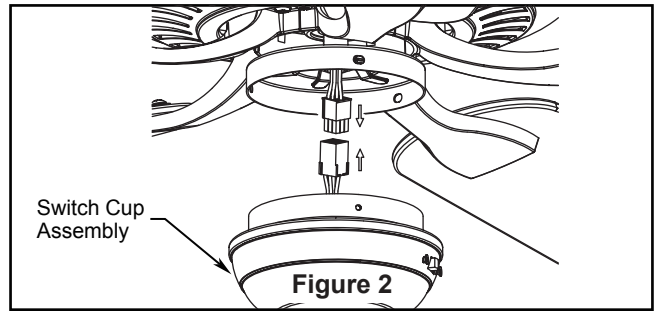


# How to Assemble Your Switch Cup Assembly (Continued)

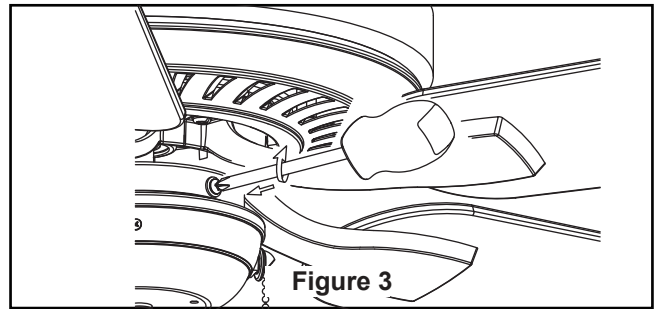
- 2. Securely attach the 9-pin switch cup connector to the wiring harness socket within the adapter assembly. (Figure 2)

**⚠ WARNING**

The color label on these two connectors must correspond to each other.



- 3. Assemble the switch cup assembly onto the housing adapter with previously removed screws. (Figure 3)

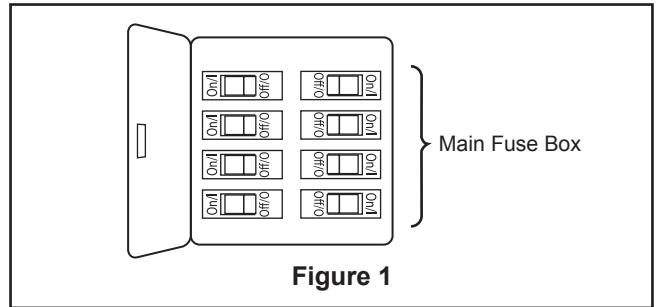


# How to Operate Your Ceiling Fan

- 1. Restore electrical power to the outlet box by turning the electricity on at the main fuse box. (Figure 1)



**⚠ WARNING**

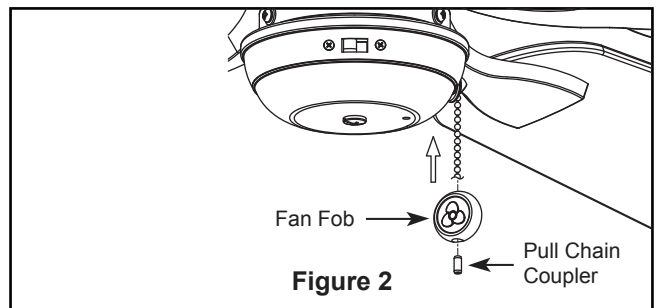
Check to see that all connections are tight, including ground, and that no bare wire is visible at the wire connectors, except for the ground wire. Do not operate fan until the blades are in place. Noise and fan damage could result.



- 2. Install the fan fob and pull chain coupler. (Figure 2)

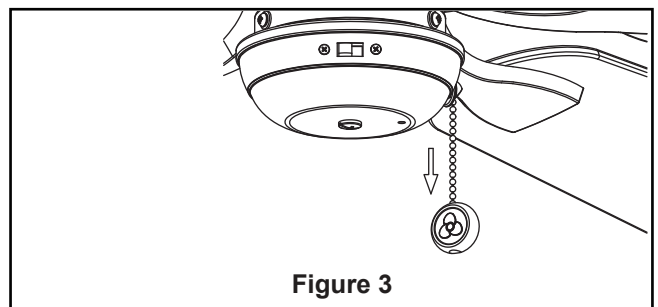
**HARDWARE USED:**

Fan Fob		X 1
Pull Chain Coupler		X 1



- 3. Check the operation of the fan by gently pulling on the fan fob. (Figure 3)

Fan Pull Chain Operating Sequence	
1 <sup>st</sup> Pull	High
2 <sup>nd</sup> Pull	Medium
3 <sup>rd</sup> Pull	Low
4 <sup>th</sup> Pull	Off

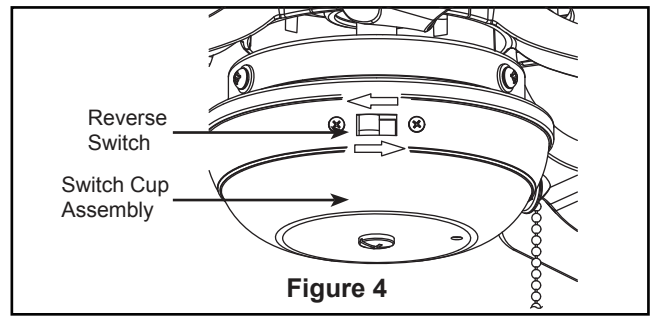


---

## How to Operate Your Ceiling Fan (Continued)

4. If airflow is desired in the opposite direction, turn the fan off and wait for the blades to stop turning. Slide the reverse switch on the switch cup assembly to the opposite position and turn fan on again. (Figure 4)

Reverse Switch Information		
Season	Rotation Direction	Switch Position
Summer	Counterclockwise	Left
Winter	Clockwise	Right



---

## Maintenance

Periodic cleaning of your new ceiling fan is the only maintenance necessary. When cleaning, use only a soft brush or lint free cloth to avoid scratching the finish. Abrasive cleaning agents are not required and should be avoided to prevent damage to finish.

### CAUTION

Do not use water when cleaning your ceiling fan. It could damage the motor or the blades and create the possibility of electrical shock.

---

## How to Clean Your Ceiling Fan Blades

Periodic light dusting of the blades is recommended. A feather duster will work best.

Avoid using water, cleansers, or harsh rags, which can warp and ruin the blades.



# Troubleshooting

## ⚠ WARNING

For your own safety turn off power at fuse box or circuit breaker before trouble shooting your fan.

Trouble	Probable Cause	Suggested Remedy
<b>1. FAN WILL NOT START</b>	<ol style="list-style-type: none"> <li>1. Fuse or circuit breaker blown.</li> <li>2. Loose power line connections to the fan, or loose switch wire connections in the switch housing.</li> <li>3. Reversing switch in neutral position.</li> </ol>	<ol style="list-style-type: none"> <li>1. Check main and branch circuit fuses or circuit breakers.</li> <li>2. Check line wire connections to fan and switch wire connections in the switch housings.</li> </ol> <p><b>CAUTION: Make sure main power is turned off !</b></p> <ol style="list-style-type: none"> <li>3. Make sure reversing switch position is all the way to one side.</li> </ol>
<b>2. FAN SOUNDS NOISY</b>	<ol style="list-style-type: none"> <li>1. Blades not attached to fan.</li> <li>2. Loose screws in motor housing.</li> <li>3. Screws securing fan blade holders to motor flywheel are loose.</li> <li>4. Wire connectors inside housing rattling.</li> <li>5. Screws holding blades to blade holders are loose.</li> <li>6. Lower housing support set screw loose.</li> </ol>	<ol style="list-style-type: none"> <li>1. Attach blades to fan before operating.</li> <li>2. Check to make sure all screws in motor housing are snug (not over-tight).</li> <li>3. Check to make sure the screws which attach the fan blade holders to the motor flywheel are tight.</li> <li>4. Check to make sure wire connectors in switch housing are not rattling against each other or against the interior wall of the switch housing.</li> </ol> <p><b>CAUTION: Make sure main power is turned off !</b></p> <ol style="list-style-type: none"> <li>5. Tighten screws securely.</li> <li>6. Tighten set screw securely.</li> </ol>
<b>3. FAN WOBBLERS EXCESSIVELY</b>	<ol style="list-style-type: none"> <li>1. Setscrew in downrod support is loose.</li> <li>2. Setscrew in downrod/hanger ball assembly is loose.</li> <li>3. Screws securing fan blade holders to motor hub are loose.</li> <li>4. Blade holders not seated properly.</li> <li>5. Hanger bracket and/or ceiling outlet box is not securely fastened.</li> </ol>	<ol style="list-style-type: none"> <li>1. Tighten both setscrews securely in downrod support.</li> <li>2. Tighten the setscrew in the downrod/hanger ball assembly.</li> <li>3. Check to be sure screws which attach the fan blade holders to the flywheel are tight.</li> <li>4. Check to be sure the fan blade holders seat firmly and uniformly to the surface of the motor housing. If holders are seated incorrectly, loosen the screws and retighten.</li> <li>5. Tighten the hanger bracket screws to the outlet box, and secure outlet box.</li> </ol>
<b>4. NOT ENOUGH AIR MOVEMENT</b>		<ol style="list-style-type: none"> <li>1. If possible, consider using a longer downrod (not included, you can buy the longer downrod from <a href="http://fanimation.com">fanimation.com</a>).</li> </ol>

# Parts List

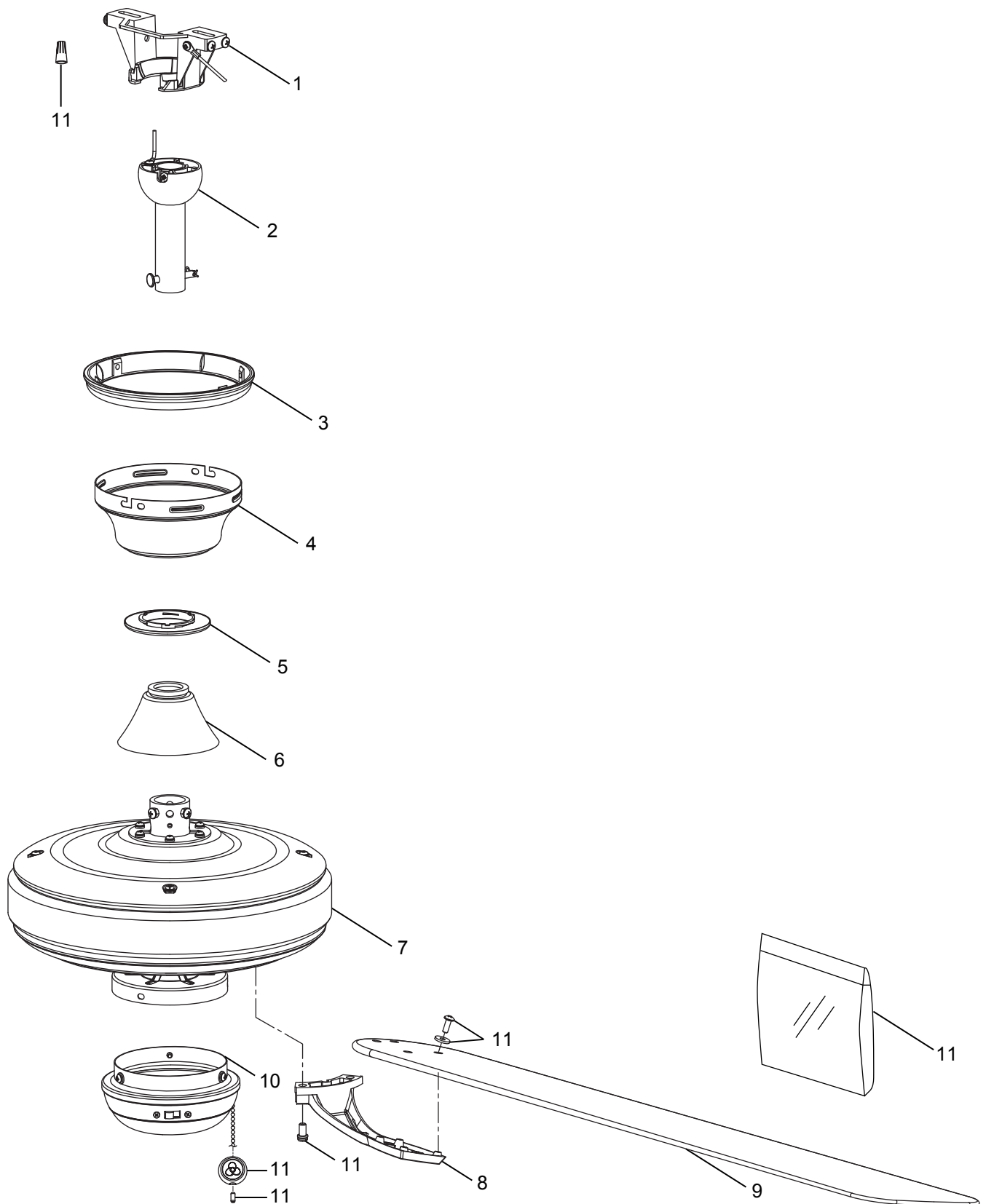
Model #FP9072\*\*

Ref. #	Description	Part #
1	Hanger Bracket Assembly	APGAC1113RBL
2	Downrod/Hanger Ball Assembly	ADR1SS-45**
3	Canopy Trim Ring	PPAC1081**
4	Ceiling Canopy	PPAC1003**
5	Canopy Screw Cover	PPAC1102**
6	Motor Coupling Cover Assembly	APPAC1404**
7	Motor Assembly	AMA9072**
8	Blade Holder Set	AP907214**
9	Blade Set	AP907205**
10	Switch Cup Assembly	AP907202**
11	<b>Hardware Bag Containing:</b>	HDWFP9044**
	Wire Connectors (4)	
	Fan Fob (1) / Pull Chain Coupler (1)	
	Safety Cable Kit	
	#8-32 Outlet Box Screws, Stainless Steel (2)	
	Flat Washers, Stainless Steel (2)	
	<b>Blade Holder Mounting Hardware Bag Containing:</b>	
	1/4"-20 Phillips Head Screws, Stainless Steel with Lock Washers, Stainless Steel (11)	
	<b>Blade Mounting Hardware Bag Containing:</b>	
	3/16"-24 Serrated Head Screws, Stainless Steel (21)	
Flat Washers, Stainless Steel (21)		

**Before discarding packaging materials, be certain all parts have been removed.**

<b>How To Order Parts</b>
<p>When ordering repair parts, always give the following information:</p> <ul style="list-style-type: none"> <li>• Part Number</li> <li>• Part Description</li> <li>• Fan Model Number</li> </ul> <p>Contact your retail store for repair parts.</p>

**EDGEWOOD™ 72**  
**Model FP9072\*\***  
**Exploded-View Illustration**



**NOTE:** The illustration shown is not to scale or its actual configuration may vary.



10983 Bennett Parkway  
Zionsville, IN 46077  
Phone: 888-567-2055  
Outside U.S.: 317-733-4113  
FAX: 866-482-5215  
FANIMATION.COM

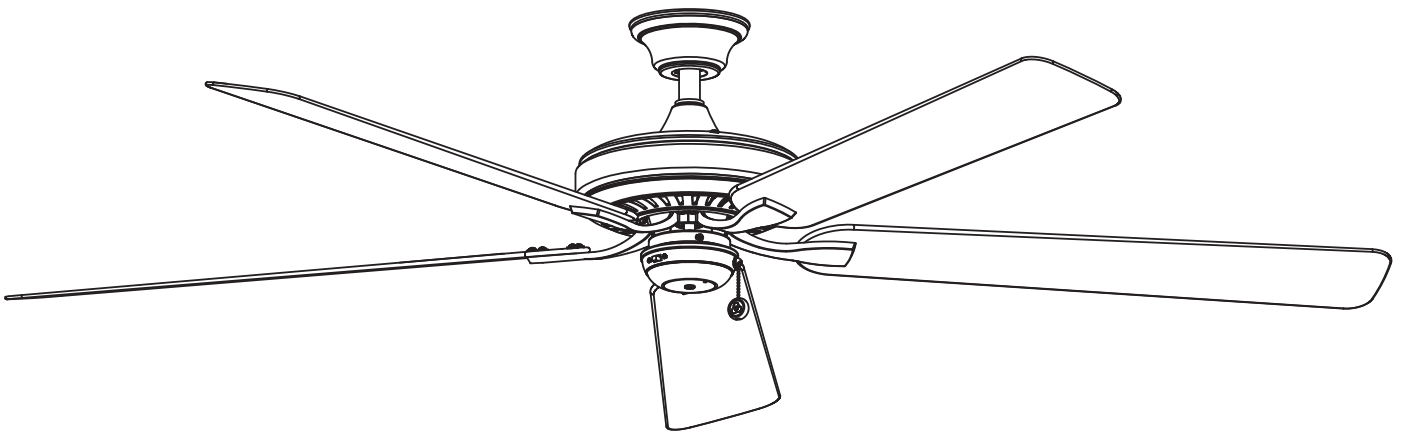
2020/11 V.01  
Copyright 2020 Fanimation



**FANIMATION**<sup>®</sup>  
SHOWROOM COLLECTION

## VENTILADOR DE TECHO EDGEWOOD™ 72

MODELO #FP9072\*\*



**ADJUNTE SU RECIBO AQUÍ Y REGISTRE SU VENTILADOR EN FANIMATION.COM  
LEA Y GUARDE ESTAS INSTRUCCIONES**

**Código de fecha \_\_\_\_\_ Fecha de compra \_\_\_\_\_** Peso neto 16.71 kgs (36.84 lbs)

Para ofrecer un servicio rápido y de calidad, por favor suministre el código de fecha. Puede encontrar el código de fecha en el paquete o en la parte superior de la carcasa del ventilador.



**Preguntas, problemas, piezas faltantes?** Antes de volver a la tienda, llame a nuestro Departamento de Servicio al Cliente al 1-888-567-2055, 8 a.m. - 5 pm, hora del Este, de lunes - viernes.

## Instrucciones de seguridad importantes

**ADVERTENCIA: Siga estas instrucciones para prevenir incendios, descargas eléctricas y lesiones personales graves.**

1. Lea el manual del propietario y la información de seguridad antes de instalar su nuevo ventilador. Observe los diagramas de ensamblaje adjuntos.
2. Antes de llevar a cabo el mantenimiento o la limpieza de la unidad, desconecte la electricidad en el panel de servicio y bloquee los medios de desconexión del mismo para evitar que se active accidentalmente. Si no se pueden bloquear los medios de desconexión del servicio, coloque un dispositivo de advertencia, como una etiqueta, en el panel de servicio.
3. Tenga cuidado con la estructura y las aspas del ventilador cuando limpie, pinte o trabaje cerca del mismo. Desconecte siempre la electricidad del ventilador de techo antes de llevar a cabo el mantenimiento.
4. No coloque nada en las aspas del ventilador cuando éste se encuentra en funcionamiento.
5. No accione el conmutador inversor hasta que las aspas del ventilador se hayan detenido por completo.
6. El dispositivo no ha sido diseñado para ser utilizado por niños o personas enfermas sin supervisión. Los niños deben ser supervisados para asegurarse de que no juegan con el dispositivo.

## Instrucciones de seguridad adicionales

1. Para evitar posibles descargas eléctricas, asegúrese de que la electricidad esté desconectada en la caja de fusibles antes de realizar la instalación eléctrica, y no haga funcionar el ventilador sin las aspas.
2. Todos los procedimientos de conexión eléctrica e instalación deben cumplir con los Códigos eléctricos nacionales (ANSI/NFPA 70) y Códigos locales. El ventilador de techo debe estar conectado a tierra a fin de prevenir posibles descargas eléctricas. La instalación eléctrica debe ser llevada a cabo o aprobada por un electricista autorizado.
3. Se debe fijar bien la base del ventilador; ésta debe ser capaz de soportar sin problemas al menos 15,9 kg (35 lb). Consulte la página 25 del manual del propietario para ver los requisitos de soporte. Si tiene dudas, consulte a un electricista calificado.
4. Las aspas del ventilador deben instalarse por lo menos a 2,13 m (7 pies) del suelo, a fin de evitar un contacto accidental con las mismas.
5. Siga las recomendaciones sobre el método correcto de instalación eléctrica de su ventilador de techo. Si no posee la experiencia o los conocimientos eléctricos adecuados, contrate a un electricista autorizado para instalar el ventilador.
6. Este ventilador de techo es para ser utilizado en lugar húmedo.
7. En lo que respecta a las conexiones de suministro, si el conductor del ventilador está identificado como conductor con conexión a tierra, se le debe conectar a un suministro de electricidad con conductor de puesta a tierra. Si el conductor del ventilador está identificado como conductor que no es de puesta a tierra, se le debe conectar a un suministro de electricidad con conductor sin puesta a tierra. Si el conductor del ventilador está identificado para equipos de puesta a tierra, se le debe conectar al conductor de equipos de puesta a tierra.

**ADVERTENCIA:** PARA REDUCIR EL RIESGO DE DESCARGAS ELÉCTRICAS, ESTE VENTILADOR SE DEBE INSTALAR CON UN CONTROL/INTERRUPTOR DE PARED AISLADO.

**ADVERTENCIA:** Este producto está diseñado para ser usado sólo con las piezas suministradas o los accesorios indicados específicamente para el mismo. Si utiliza piezas o accesorios que no están indicados para su uso con este producto, podría sufrir lesiones personales o dañar el ventilador.

**ADVERTENCIA:** Para reducir el riesgo de lesiones personales, no doble los soportes de las aspas (borde o soporte de aspas) al instalar los soportes, balancear las aspas o limpiar el ventilador. No coloque objetos extraños entre las aspas del ventilador en funcionamiento.

**ADVERTENCIA:** No utilice este ventilador con un controlador variable de pared (Rheostat) o un regulador de intensidad. Si lo hiciera podría dañar la unidad del mando a distancia del ventilador de techo.

**ADVERTENCIA:** Para reducir el riesgo de incendio y descarga eléctrica, no use este ventilador con cualquier dispositivo de control de velocidad de ventilador de estado sólido.

**AVERTISSEMENT:** CE VENTILATEUR DOIT ÊTRE INSTALLÉ AVEC UNE COMMANDE/INTERRUPTEUR MURAL ISOLANT À USAGE GÉNÉRAL AFIN DE RÉDUIRE LES RISQUES D'ÉLECTROCUTION.

**AVERTISSEMENT:** Ce produit est conçu pour utiliser uniquement les pièces l'accompagnant et/ou les accessoires spécifiquement conçus pour ce produit. L'utilisation de pièces et/ou d'accessoires qui ne sont pas conçus pour être utilisés avec ce produit peut provoquer des blessures ou des dommages matériels.

**AVERTISSEMENT:** Afin de réduire le risque de blessure, ne pliez pas le support de pale (bride ou porte-pale) lors de l'installation des supports, de l'équilibrage des pales ou du nettoyage du ventilateur. N'insérez pas de corps étrangers entre les pales du ventilateur en rotation.

**AVERTISSEMENT:** N'utilisez pas ce ventilateur avec un contrôleur mural (rhéostat) variable ou un gradateur. Cela pourrait endommager la télécommande du ventilateur de plafond.

**AVERTISSEMENT:** Afin de réduire le risque d'incendie ou d'électrocution, Ne pas ce ventilateur ne doit être utilisé qu'avec la État solide commande de vitesse de ventilateur.

(1) Este equipo no causará interferencias perjudiciales y (2) este equipo tolerará cualquier interferencia recibida, incluidas las interferencias que puedan provocar un funcionamiento no deseado. Si el radiador intencional puede ser clasificado como un dispositivo digital de clase B o un periférico del ordenador, entonces se deberán incluir los siguientes o equivalentes:

Nota: Tras someterlo a las pruebas correspondientes, se ha determinado que este equipo cumple con los límites establecidos para dispositivos digitales de Clase B de conformidad con la parte 15 de la Normativa FCC. Estos límites se han establecido con el objetivo de aportar una protección razonable contra interferencias perjudiciales cuando el equipo se utiliza en el hogar. Este equipo genera, utiliza y puede emitir energía de radiofrecuencia y, a menos que se instale y se utilice de acuerdo con el manual de instrucciones, puede provocar interferencias perjudiciales en las comunicaciones por radio y televisión. Si el equipo produce interferencias perjudiciales en la recepción de radio o televisión, lo cual puede probarse encendiendo y apagando el equipo, se recomienda al usuario corregir dichas interferencias tomando una o varias de las siguientes medidas:

- Modificar la orientación o ubicación de la antena de recepción;
  - Aumentar la separación entre el equipo y el receptor;
  - Conectar el equipo a una toma de corriente o circuito diferente al del receptor;
- Consulte al distribuidor o a un técnico especialista de radio o TV para obtener más ayuda.

# GARANTÍA LIMITADA DE POR VIDA

Se extiende al comprador original del ventilador Fanimation solo desde un distribuidor/minorista autorizado de Fanimation

1. GARANTÍA LIMITADA DE POR VIDA DEL MOTOR - Si se produjera una falla en alguna de las partes del motor de su ventilador debido a un defecto en los materiales o en la fabricación durante el tiempo de vida del comprador original, Fanimation proporcionará la pieza de repuesto sin cargo una vez que el ventilador defectuoso sea devuelto a nuestro centro de servicios nacional. Se requiere comprobante de venta. El cliente se hará responsable de todos los gastos de remoción o reinstalación y envío del producto para reparaciones o sustitución.
2. GARANTÍA DE MANO DE OBRA DEL MOTOR POR UN AÑO - Si el motor de su ventilador fallara antes de cumplirse un año a partir del momento de su compra original debido a defectos en los materiales o en la fabricación, se le efectuará la reparación del mismo sin cargo en nuestro centro de servicios nacional. El comprador se hará responsable de los gastos de mano de obra luego del período de un año. El cliente se hará responsable de todos los gastos de remoción o reinstalación y envío del producto para reparaciones o sustitución.
3. Si otra pieza del ventilador fallara dentro del período de un año a partir de la fecha de compra original debido a un defecto en los materiales o en la fabricación, repararemos o sustituiremos, según creamos conveniente, la pieza defectuosa sin cargo alguno en nuestro centro de servicios nacional.
4. Debido a las diversas condiciones climáticas, esta garantía no cubre cambios en la terminación, incluidos oxidación, corrosión, falta de brillo o peladuras.
5. Esta garantía es nula y no se aplica a daños por instalación incorrecta, negligencia, accidentes, uso indebido, exposición al calor o a la humedad en exceso, o como resultado de cualquier modificación realizada al producto original.
6. Todos los gastos de remoción y reinstalación del ventilador son responsabilidad exclusiva del propietario, y no de la tienda que vendió el ventilador ni de Fanimation.
7. Fanimation se reserva el derecho de modificar o discontinuar un producto en cualquier momento, o sustituir cualquier pieza según lo establecido por esta garantía.
8. En ningún caso se podrá devolver un ventilador sin previa autorización por parte de Fanimation. Las devoluciones autorizadas deberán ir acompañadas del recibo de venta y deberán enviarse a Fanimation, previo pago del flete. El ventilador que se devuelva deberá estar embalado en forma adecuada a fin de evitar daños durante el transporte. Fanimation no se hará responsable de los daños que resulten del embalaje incorrecto del producto.
9. Se entiende que las reparaciones y las sustituciones son el único recurso disponible de Fanimation. No existe ninguna otra garantía expresa o implícita. Por la presente, Fanimation niega todas las garantías implícitas, que incluyen, entre otras, la comerciabilidad y la aptitud para determinado fin hasta donde la ley lo permita. Algunos estados no permiten limitaciones sobre las garantías implícitas. Fanimation no se hará responsable por daños accidentales, resultantes o especiales derivados del uso o el rendimiento del producto o en conjunción con éste, excepto en los casos en los que la ley así lo disponga. Esta garantía le otorga derechos legales especiales y es posible que también goce de otros derechos que pueden variar según el estado.
10. Es normal que se produzca un cierto movimiento oscilante y esto no debe considerarse un problema o defecto.

## Tabla de contenidos

Instrucciones para el desempaque . . . . .	24	Cómo ensamblar las aspas del ventilador de techo . . . . .	35
Uso eficiente de la energía en ventiladores de techo . . . . .	25	Cómo ensamblar su caja del interruptor . . . . .	36
Requisitos eléctricos y estructurales . . . . .	25	Cómo utilizar su ventilador de techo . . . . .	36
Cómo ensamblar el ventilador de techo (Varilla) . . . . .	27	Mantenimiento . . . . .	37
Cómo ensamblar el ventilador de techo (Cerca de techo) . . . . .	29	Limpieza de las aspas . . . . .	37
Cómo colgar el ventilador de techo . . . . .	30	Solución de problemas . . . . .	38
Cómo realizar la instalación eléctrica del ventilador de techo . . . . .	32	Lista de piezas . . . . .	39
Cómo instalar la carcasa de la cubierta (Varilla) . . . . .	33	Ilustración del despiece . . . . .	40
Cómo instalar la carcasa de la cubierta (Cerca de techo) . . . . .	34		

Este manual está diseñado para facilitar, en la medida de lo posible, el ensamblaje, la instalación, el funcionamiento y el mantenimiento de su ventilador de techo

## Herramientas necesarias para el ensamblaje (No incluido)

- Destornillador Phillips
- Destornillador de ¼"
- Escalera de tijera
- Pelacables

### **⚠ ADVERTENCIA**

Antes de ensamblar el ventilador de techo, consulte la sección sobre el método correcto de instalación eléctrica del ventilador (página 32). Si siente que no posee la experiencia o los conocimientos eléctricos necesarios, contrate a un electricista autorizado para instalar el ventilador.

**NOTA:** coloque las piezas de las bolsas de piezas individuales en un contenedor pequeño para evitar que se extravíen. Si faltan piezas, póngase en contacto con su proveedor local.

## Materiales

La caja de distribución eléctrica y los conectores de la caja deben ser del tipo requerido por el código local. El cable más pequeño debe ser un cable de tres conductores (de dos conductores con conexión a tierra) del siguiente tamaño:

longitud del cable instalado	tamaño del cable según el A.W.G. (Calibre de Alambre Estadounidense)
hasta 15,2 m (50 pies)	14
de 15,2 a 30,5 m (50 a 100 pies)	12

### **⚠ AVERTISSEMENT**

Reportez-vous à la section sur la méthode appropriée de câblage du ventilateur (page 32) avant d'assembler votre ventilateur de plafond. Faites installer votre ventilateur par un électricien agréé si vous pensez que vous n'avez pas assez de connaissances ou d'expérience en câblage.

# Instrucciones para el desempaque

Para su comodidad, marque cada uno de los pasos. A medida que completa cada paso, coloque una marca de verificación. Con esto se asegurará de completar todos los pasos y podrá saber desde dónde retomar si fuera interrumpido.

## ⚠ ADVERTENCIA

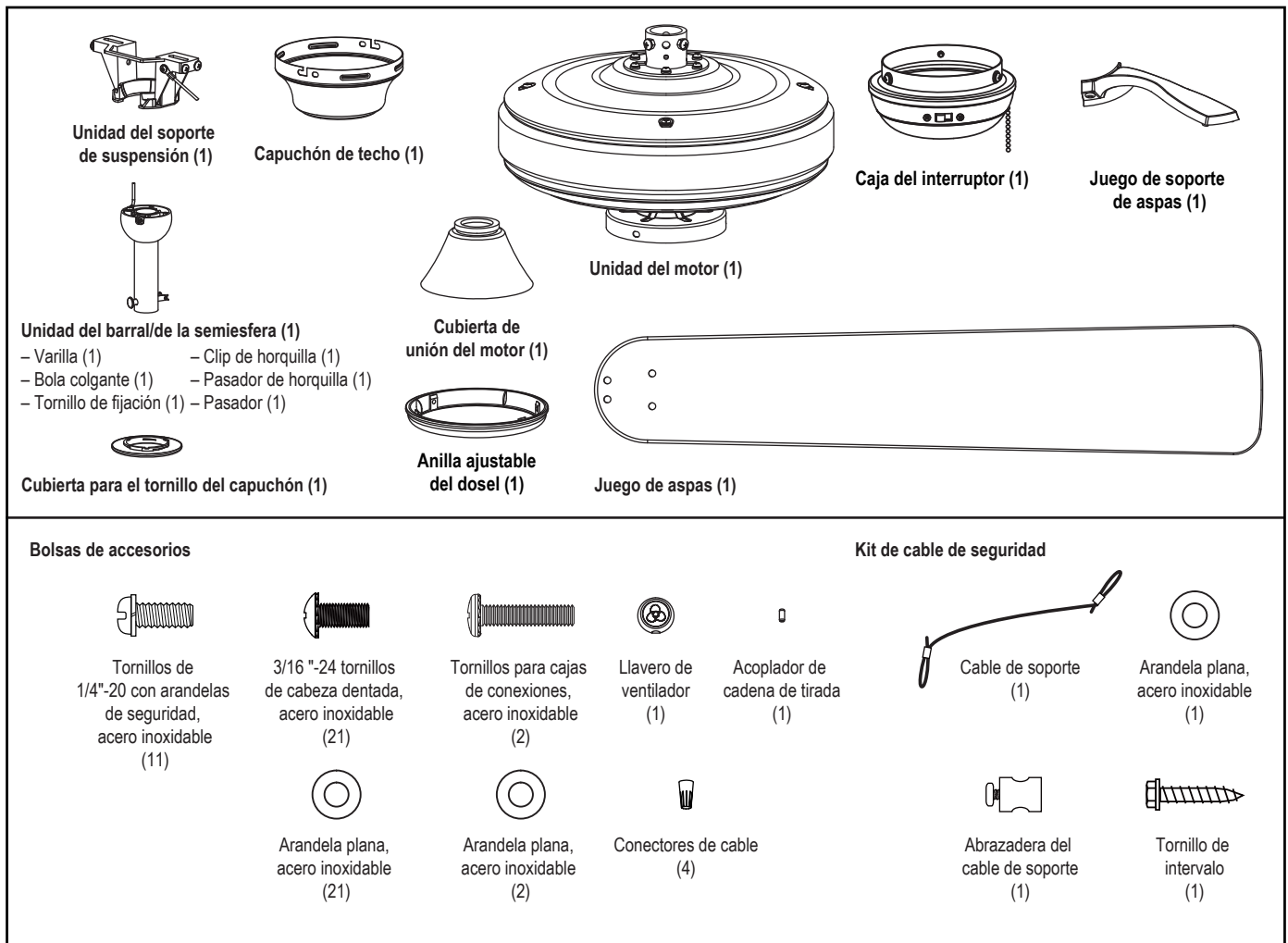
No instale ni utilice el ventilador si falta alguna pieza o si hay piezas dañadas. Este producto está diseñado para ser utilizado sólo con las piezas suministradas o los accesorios indicados por Fanimation específicamente para el mismo. La sustitución de piezas o accesorios que Fanimation no designó para usar con este producto podría ocasionar lesiones personales o daños en el ventilador. Póngase en contacto con su tienda si faltan piezas o hay piezas dañadas.

## ⚠ AVERTISSEMENT

N'installez pas et n'utilisez pas le ventilateur si l'une de ses pièces est endommagée ou manquante. Ce produit est conçu pour utiliser uniquement les pièces l'accompagnant et/ou les accessoires spécifiquement conçus pour ce produit par Fanimation. La substitution de pièces ou d'accessoires non conçus par Fanimation pour être utilisés avec ce produit peut provoquer des blessures ou des dommages matériels. Contactez votre lieu de vente en cas de pièces manquantes ou endommagées.

1. Verifique que haya recibido las siguientes piezas:

**NOTA:** Si no está seguro de la descripción de una pieza, consulte la ilustración del despiece.





## Uso eficiente de la energía en ventiladores de techo

El nivel de rendimiento y ahorro de energía de los ventiladores de techo dependen de su correcta instalación y uso. A continuación le presentamos algunas sugerencias para asegurar un rendimiento eficiente del producto.

### Selección del lugar de montaje adecuado

Los ventiladores de techo se deben instalar en el centro de la habitación, a 2,13 m (7 pies) de altura del piso hasta la cuchilla como mínimo y 0,5m (18 pulgadas) de las paredes hasta la cuchilla. Si la altura del techo lo permite, instale el ventilador a 2,5m (8-9 pies) de altura del piso hasta la cuchilla para un flujo de aire óptimo. Consulte en su tienda minorista de Fanimation para obtener accesorios de montaje opcionales.

### Apague el ventilador cuando no se encuentre en la habitación

Los ventiladores son para refrescar a la gente, no a las habitaciones. Si la habitación está vacía, apague el ventilador de techo para ahorrar energía.

### Uso del ventilador de techo todo el año

**En verano:** Use el ventilador de techo en sentido contrario a las agujas del reloj. El flujo de aire que produce el ventilador creará un efecto frío del aire que lo refrescará más. Seleccione una velocidad que le proporcione una brisa confortable. Las velocidades más bajas consumen menos energía.

**En invierno:** Invierta el motor y haga funcionar el ventilador de techo a velocidad baja y en el sentido de las agujas del reloj. Esto produce una suave corriente ascendente, que obliga al aire cálido que se acumula cerca del techo a bajar al espacio ocupado. No olvide ajustar el termostato cuando utilice el ventilador de techo. Con este sencillo paso puede ahorrar energía adicional y dinero.

## Requisitos eléctricos y estructurales

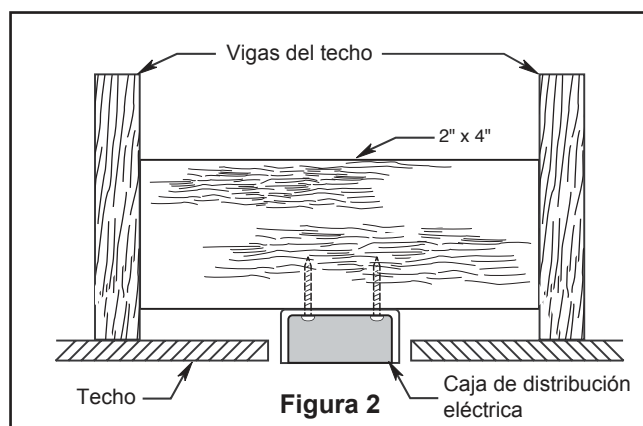
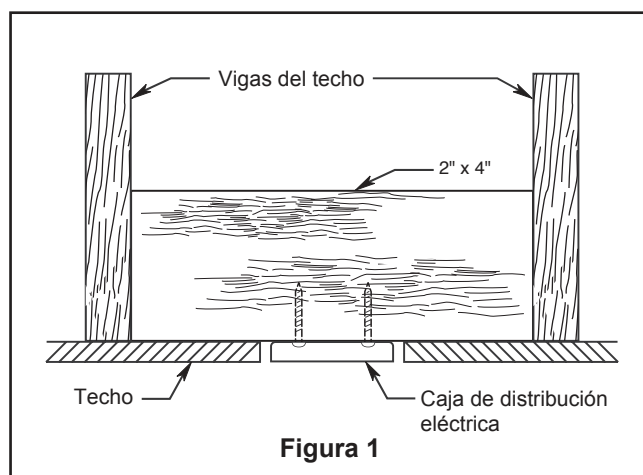
Su nuevo ventilador de techo requiere una línea de suministro eléctrico con conexión a tierra de 120 voltios de CA, 60 Hz, circuito de 15 amperios. La normativa eléctrica requiere el uso de una caja de distribución eléctrica para ventiladores que soporte el peso extra y el movimiento asociado a un ventilador de techo. La caja de distribución eléctrica será etiquetada como tal y soportará un ventilador de techo de un peso de hasta 70 libras. Dichas cajas varían en tipos y diseños. Asegúrese de que el tipo de su caja reúne los criterios para el ventilador que se está instalando. Las ilustraciones 1, 2 y 3 muestran las diferentes configuraciones estructurales que pueden ser utilizadas para dicha caja de distribución eléctrica.

### Uso de perfil bajo (Figura 1)

La caja lisa de 1/2 pulgada de profundidad será atornillada a una viga o bloque. Se utilizará si solo un cable va a ser introducido en la caja. También está disponible en una configuración de montaje endosado.

### Uso de perfil profundo (Figura 2)

La caja de 2-1/4 pulgada será atornillada a un bloque entre vigas que tenga suficiente espacio para colocar más de un cable.



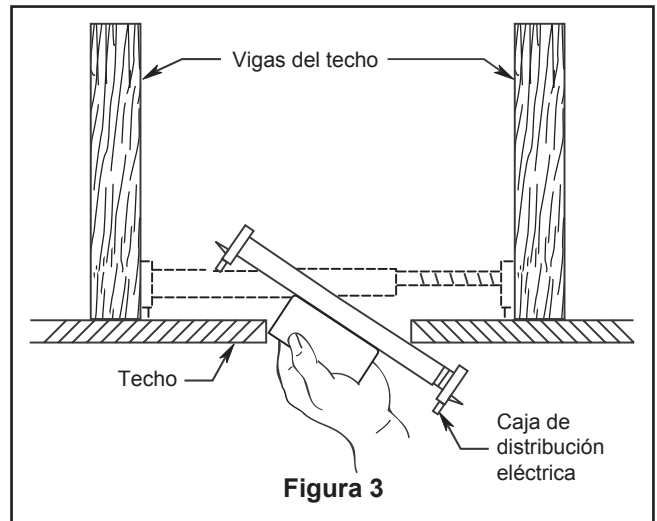
## Requisitos eléctricos y estructurales (cont.)

### Uso del soporte (Figura 3)

Conectado a una caja de distribución eléctrica, este colgador sirve para abarcar el espacio entre dos vigas y ocupar el lugar de bloqueo de la madera.

#### **⚠ ADVERTENCIA**

Para reducir el riesgo de incendios, descargas eléctricas o lesiones personales, fije el ventilador a la caja de distribución eléctrica marcada como aceptable para soporte de ventilador de 15,88kg (35lb). Utilice los tornillos suministrados con la caja de distribución eléctrica. La mayoría de las cajas de distribución eléctrica que comúnmente se utilizan como soporte de lámparas no son aptas para soporte de ventiladores y es posible que deban reemplazarse. Consulte a un electricista calificado si tiene dudas.



#### **⚠ AVERTISSEMENT**

Pour réduire le risque d'incendie, d'électrocution ou de blessure, montez sur une boîte de sortie indiquée comme étant acceptable pour supporter un ventilateur. La plupart des boîtes de sortie communément utilisées pour supporter les luminaires ne sont pas acceptables pour supporter des ventilateurs et devraient être remplacées. Consultez un électricien qualifié en cas de doutes.

Si su ventilador va a sustituir una instalación de iluminación existente, desconecte la electricidad de la caja del fusible principal en esta ocasión y extraiga la unidad de iluminación.

#### **⚠ ADVERTENCIA**

Apagar el interruptor de pared no es suficiente. Para evitar posibles descargas eléctricas, asegúrese de que la electricidad esté desconectada en la caja de fusibles principal antes de realizar la instalación eléctrica. Toda instalación eléctrica debe cumplir con los códigos nacionales y locales y el ventilador de techo debe tener la conexión a tierra adecuada como forma de precaución ante posibles descargas eléctricas.

#### **⚠ AVERTISSEMENT**

Éteindre l'interrupteur mural ne suffit pas. Pour éviter tout risque d'électrocution, assurez-vous que l'alimentation électrique est coupée au niveau du boîtier à fusibles principal avant d'effectuer le câblage. Le câblage doit être entièrement conforme aux codes nationaux et locaux, et le ventilateur de plafond doit être correctement mis à la terre par mesure de précaution contre les risques d'électrocution.

#### **⚠ ADVERTENCIA**

A fin de evitar incendios o descargas eléctricas, siga con cuidado todas las instrucciones de instalación eléctrica. Cualquier trabajo eléctrico que no se describa en estas instrucciones deberá ser realizado o aprobado por un electricista autorizado.

#### **⚠ AVERTISSEMENT**

Respectez attentivement toutes les instructions de câblage pour éviter tout incendie ou électrocution. Tout travail électrique non décrit dans ces instructions doit être fait ou approuvé par un électricien agréé.

#### **⚠ ADVERTENCIA**

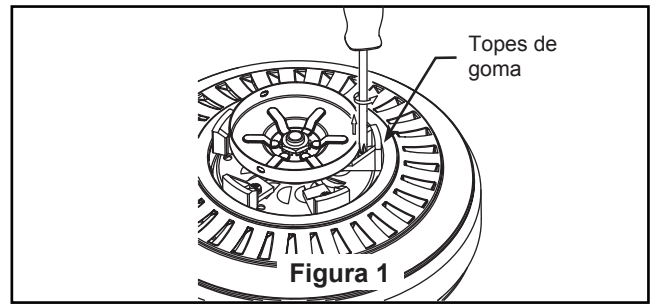
No utilice este ventilador con un controlador variable de pared (Rheostat) o un regulador de intensidad. Si lo hiciera podría dañar la unidad del mando a distancia del ventilador de techo.

#### **⚠ AVERTISSEMENT**

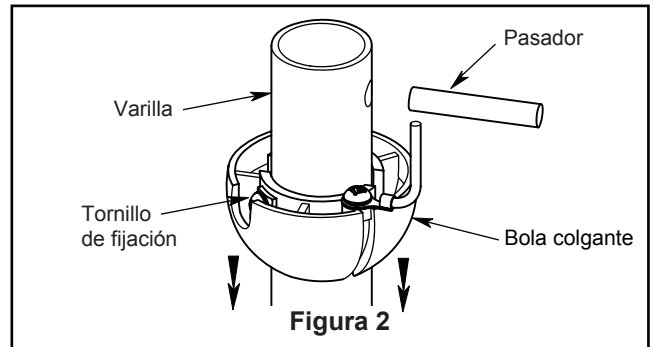
N'utilisez pas ce ventilateur avec un contrôleur mural (rhéostat) variable ou un gradateur. Cela pourrait endommager la télécommande du ventilateur de plafond.

## Cómo ensamblar el ventilador de techo (Varilla)

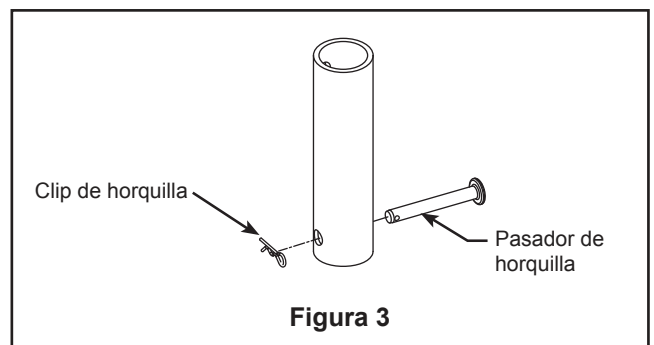
1. Retire y deseche los topes del motor del ensamblaje del motor quitando los tornillos. (Figura 1)



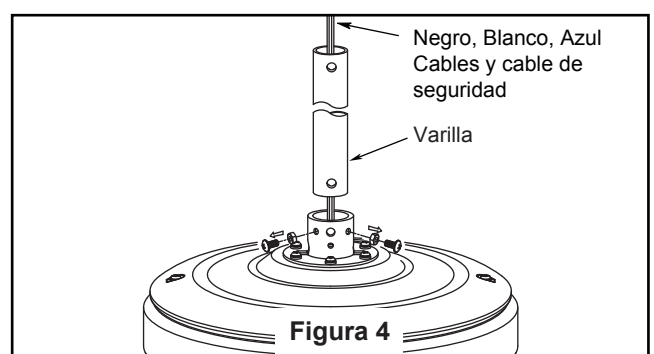
2. Extraiga la parte de la bola de suspensión de la unidad de bola de suspensión/barra vertical aflojando los tornillos ubicados en la bola hasta que ésta se libere de la barra vertical. Extraiga el enganche de la barra vertical y extraiga la bola de suspensión. Conserve la bola de suspensión y el enganche para su reinstalación en el paso 7. (Figura 2)



3. Retire el clip de horquilla y pasador de horquilla de la parte inferior de la bola para colgar. Retener el pasador y clip para la reinstalación en el paso 5. (Figura 3)

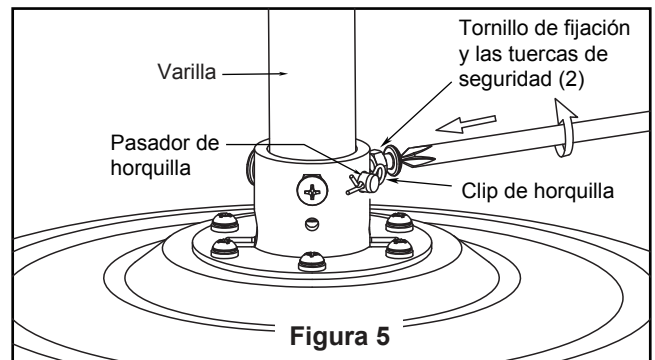


4. Afloje los dos tornillos de fijación del soporte del barral de soporte para techo a través de la varilla. Introduzca los cables de color negro, blanco y azul cables y cable de seguridad a través de la varilla. (Figura 4)



## Cómo ensamblar el ventilador de techo (Varilla)-cont.

5. Coloque el soporte de la varilla y alinee los orificios de la clavija de horquilla en ambas piezas. Instale la clavija de horquilla y asegúrela con la pinza de horquilla. Fije y instale los dos tornillos de presión y las tuercas de seguridad en el soporte de la varilla interior. (Figura 5)



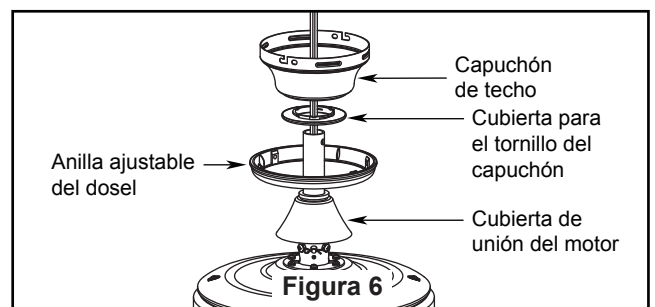
### ⚠ ADVERTENCIA

Es fundamental que instale correctamente el pasador de horquilla en el soporte de la varilla, y que ajuste firmemente los tornillos de fijación y las tuercas. El incumplimiento de dicho paso podría hacer que el ventilador se caiga.

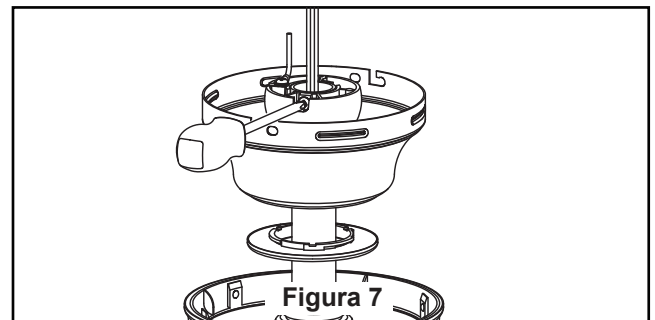
### ⚠ AVERTISSEMENT

Il est crucial que l'axe à épaulement dans le support de la tige de suspension descendante soit correctement installé. Le ventilateur risque de tomber si vous ne vérifiez pas que l'axe et la pince de retenue sont correctement installés.

6. Pase los cables y cable de seguridad a través de la cubierta de unión del motor, anilla ajustable del dosel, la cubierta para el tornillo del capuchón y el capuchón. (Figura 6)



7. Vuelva a colocar la semiesfera en el barral como se indica a continuación. Pase los cables de negro, blanco, azul cables y cable de soporte para techo a través de la semiesfera. Pase el pasador a través de los dos orificios en el barral y alinee la semiesfera de modo que el pasador quede atrapado en la ranura de la parte superior de la misma. Empuje la semiesfera hacia arriba, bien ajustada contra el pasador. Ajuste firmemente el tornillo de fijación en la semiesfera. Si el tornillo de fijación está flojo, podría provocar oscilación del ventilador. (Figura 7)



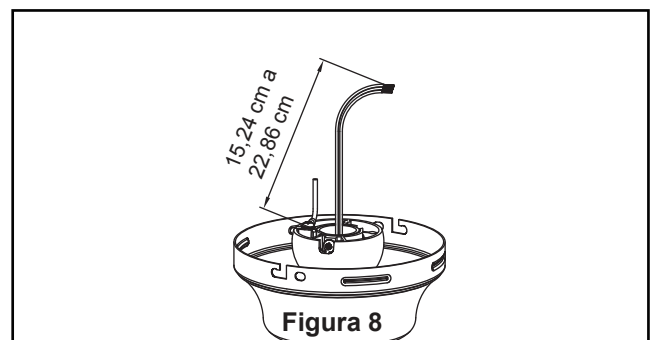
8. Corte el exceso de cable aproximadamente de 15 a 23 cm (6 a 9 pulgadas) por encima de la parte superior del barral. Pele 1,2 cm (1/2") del aislamiento en cada extremo del cable. (Figura 8)

### PRECAUCIÓN

Se deben revisar todos los tornillos de fijación y volver a ajustarlos cuando sea necesario antes de realizar la instalación.

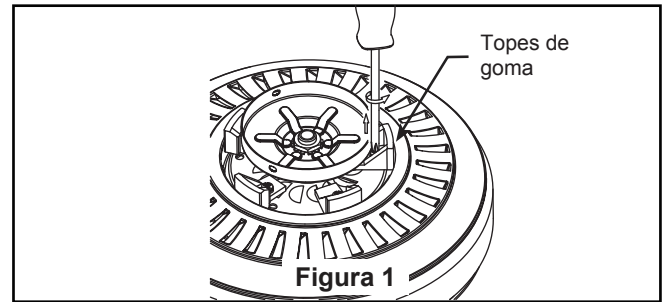
### ATTENTION

Toutes les vis de réglage doivent être vérifiées et resserrées nécessaire avant l'installation.

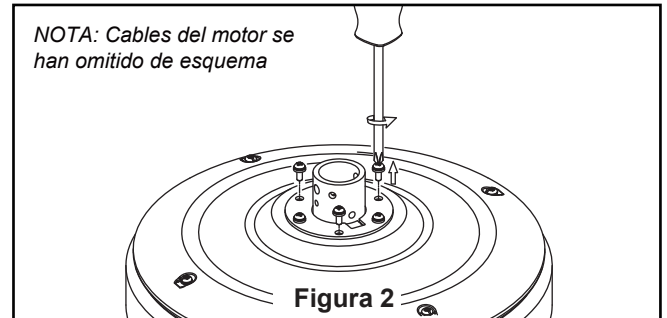


## Cómo ensamblar el ventilador de techo (Cerca de techo)

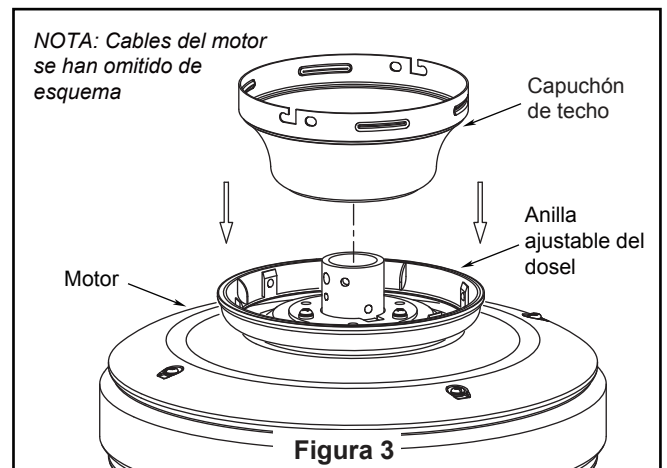
1. Retire y deseche los topes del motor del ensamble del motor quitando los tornillos. (Figura 1)



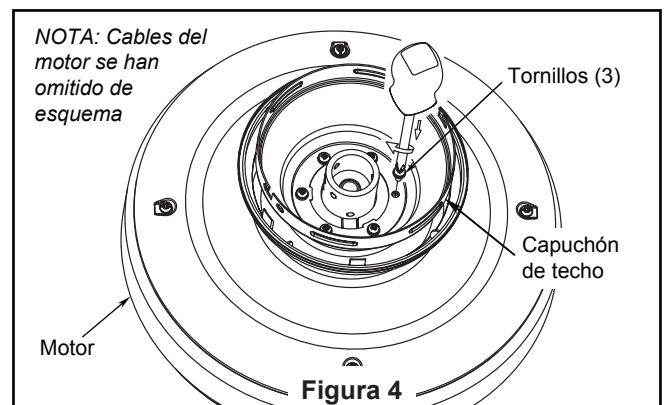
2. Alternando posiciones, extraiga los tres tornillos del acoplamiento del motor y guarde los tornillos para el Paso 4. (Figura 2)



3. Introduzca los cables y cable de seguridad de su ventilador a través de la anilla ajustable del dosel y el capuchón de techo. (Figura 3)



4. Alinee las tres ranuras de la cubierta con los tres tornillos de acoplamiento del motor. Fije adecuadamente la carcasa de la cubierta al motor con tornillos retirados previamente. (Figura 4)



# Cómo colgar el ventilador de techo

## ⚠ ADVERTENCIA

Para evitar una posible descarga eléctrica, asegúrese de cortar la alimentación eléctrica de la caja de fusibles principal antes de colgar el ventilador. (Figura 1)

## ⚠ AVERTISSEMENT

Assurez-vous que l'alimentation électrique est coupée au niveau du boîtier à fusibles principal avant de suspendre le ventilateur afin d'éviter tout risque d'électrocution. (Figure 1)

**NOTA:** Si no está seguro de si la caja de salida tiene conexión a tierra, pida consejo a un electricista certificado, ya que debe tener conexión a tierra para un funcionamiento seguro.

## ⚠ ADVERTENCIA

Debe colgar el ventilador a una distancia mínima de 2,13 m desde las aspas hasta el piso. (Figura 2)

## ⚠ AVERTISSEMENT

Le ventilateur doit être accroché de façon à ce que ses pales soient au moins à 7 pieds. (Figure 2)

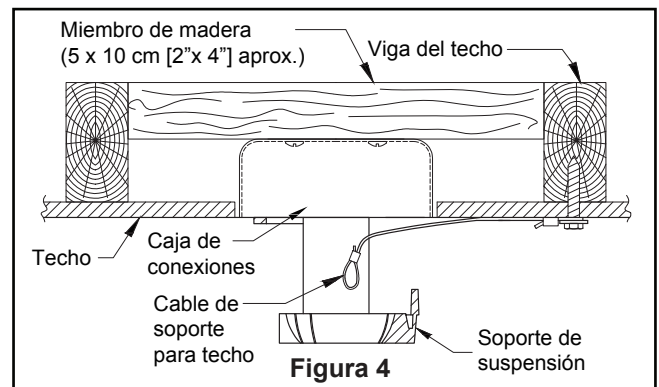
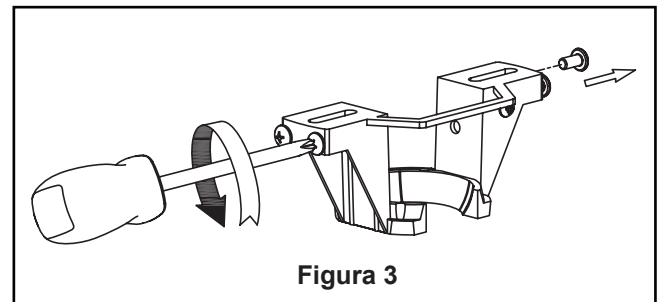
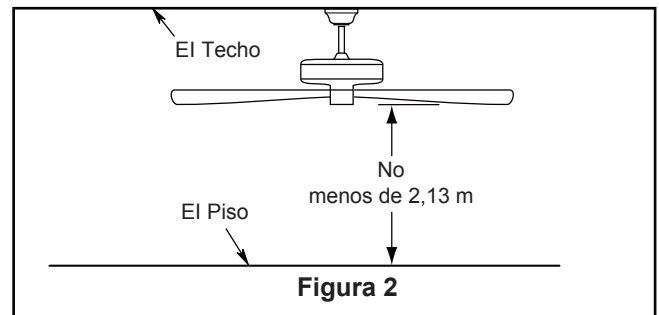
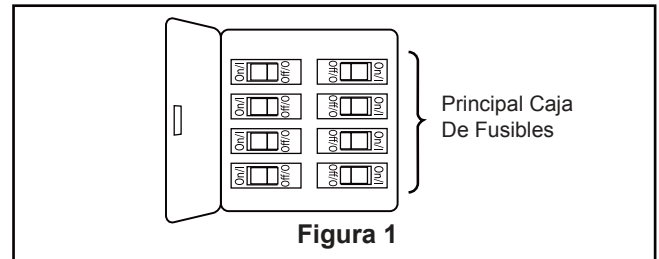
1. Extraiga completamente un tornillo de cada lado del soporte de suspensión--asegúrese de que es el tornillo a su derecha cuando se enfrenta--y guárdelos para volver a colocarlos en la página 33 o 34 (**Cómo instalar la carcasa de la cubierta**). Afloje los otros dos tornillos que no fueron retirados. (Figura 3)

### Varilla

2. Fije bien la abrazadera para colgar a la caja de salida con los tornillos y las arandelas provistas con la ventilador. (Figura 4)

## ⚠ ADVERTENCIA

La caja de distribución eléctrica debe estar bien asegurada y debe ser capaz de soportar una carga de al menos 15.9kg (35lb). El soporte de suspensión debe estar colocado firmemente contra la caja de distribución eléctrica. Si la caja de distribución eléctrica está empotrada, retire la tablaroca hasta que el soporte haga contacto con la caja. Si el soporte o la caja de distribución eléctrica no están bien asegurados, el ventilador podría oscilar o caerse.



## ⚠ AVERTISSEMENT

La boîte de sortie doit être solidement ancrée et acceptable pour supporter un ventilateur de 15,9 kg (35 livres) au moins. Le support de suspension doit reposer fermement contre la boîte de sortie. Si la boîte de sortie est encastrée, retirez le panneau de revêtement jusqu'à ce que le support entre en contact avec la boîte. Si le support et/ou la boîte ne sont pas solidement attachés, le ventilateur risque d'osciller ou même de tomber.

## Cómo colgar el ventilador de techo (cont.)

3. Perfore un orificio de 1/4" en la estructura del edificio para evitar grietas con la instalación del tornillo de intervalo. Utilice el tornillo de intervalo de 3/8"x 2" y la arandela plana para fijar el cable de seguridad a la viga del techo o a la estructura de madera. Dicho tornillo pasará a través de arandela plana, la presilla del cable de seguridad y se fijará en la estructura del edificio. (Figura 4)

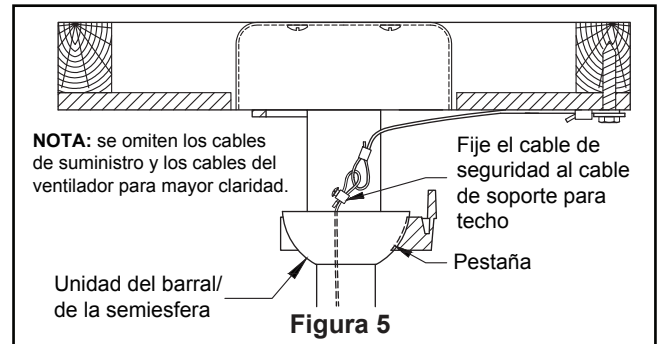
**NOTA:** el cable de soporte para techo no se puede asegurar solamente a la caja de conexiones; se debe asegurar directamente a la viga de techo o miembro estructural con el tornillo de cabeza cuadrada de 3/8"x2" y la arandela plana. (Figura 4)

4. Asegúrese de que los cables de suministro eléctrico, incluido el cable de conexión a tierra del soporte de suspensión y el cable de seguridad, hayan atravesado el barral, entre el soporte de suspensión y la caja de conexiones, de modo que más tarde se pueda realizar la instalación eléctrica.
5. Levante cuidadosamente el ventilador y coloque el ensamble de la bola para colgar/varilla en la abrazadera para colgar que acaba de fijar a la caja de salida. Asegúrese de que la ranura de la bola esté alineada con la lengüeta de la abrazadera para colgar. (Figura 5)
6. Fije el cable de seguridad al cable de soporte para techo. Deslice la abrazadera de cables por el cable de seguridad (del ventilador). Pase el extremo del cable a través del aro que forma el cable de soporte para techo. Tire lo más posible del cable a través del aro. Inserte el extremo del cable en el orificio de la abrazadera y ajuste firmemente el tornillo (Figura 5). Corte el exceso de cable de seguridad.

**NOTA:** Si ha instalado su ventilador con la bola para colgar, sátese los pasos 7 a 10.

### Cerca de techo

7. Fije bien la abrazadera para colgar a la caja de salida con los tornillos y las arandelas provistas con la ventilador. (Figura 6)
8. Perfore un orificio de 1/4" en la estructura del edificio para evitar grietas con la instalación del tornillo de intervalo. Utilice el tornillo de intervalo de 3/8"x 2" y la arandela plana para fijar el cable de seguridad a la viga del techo o a la estructura de madera. Dicho tornillo pasará a través de arandela plana, la presilla del cable de seguridad y se fijará en la estructura del edificio. (Figura 6)



### ⚠ ADVERTENCIA

Para evitar una posible descarga eléctrica, no apriete los cables entre el ensamble de la bola para colgar y la abrazadera para colgar.

### ⚠ AVERTISSEMENT

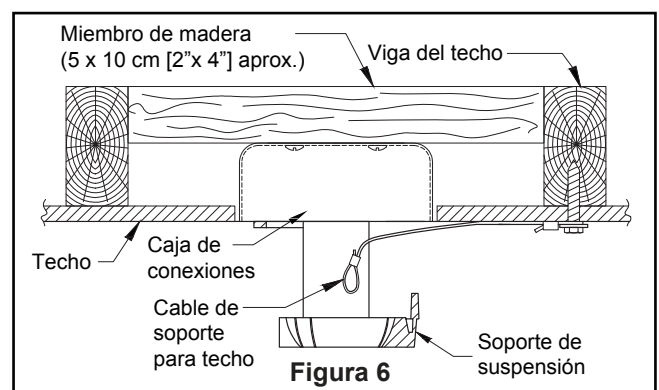
Ne pincez pas les fils entre la tige de suspension descendante et le support de suspension éviter toute électrocution.

### ⚠ ADVERTENCIA

Si no coloca la lengüeta en la ranura, podrían dañarse los cables eléctricos y podrían ocurrir incendios o descargas eléctricas.

### ⚠ AVERTISSEMENT

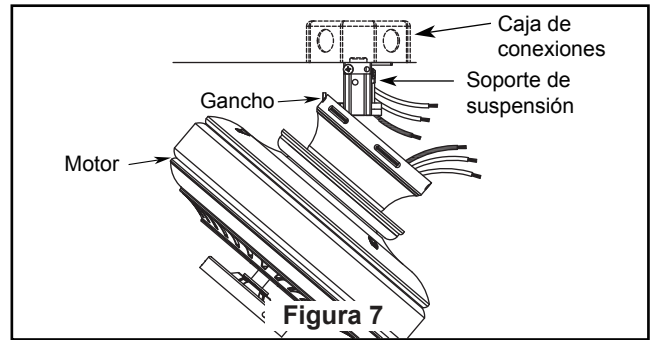
Si vous n'installez pas la languette dans la rainure, vous risquez d'endommager les fils électriques et de causer éventuellement une décharge électrique ou un incendie.



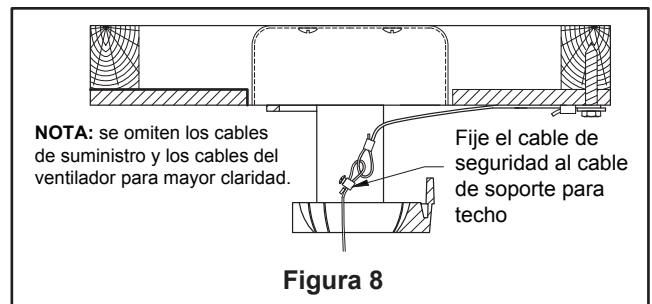
**NOTA:** el cable de soporte para techo no se puede asegurar solamente a la caja de conexiones; se debe asegurar directamente a la viga de techo o miembro estructural con el tornillo de cabeza cuadrada de 3/8"x2" y la arandela plana. (Figura 6)

## Cómo colgar el ventilador de techo (cont.)

9. Introduzca la unidad del motor en la unidad del soporte del techo tal y como se muestra en la ilustración. (Figura 7)



10. Fije el cable de seguridad al cable de soporte para techo. Deslice la abrazadera de cables por el cable de seguridad (del ventilador). Pase el extremo del cable a través del aro que forma el cable de soporte para techo. Tire lo más posible del cable a través del aro. Inserte el extremo del cable en el orificio de la abrazadera y ajuste firmemente el tornillo (Figura 8). Corte el exceso de cable de seguridad. Ahora puede continuar con las instrucciones para realizar la instalación eléctrica de su ventilador.



## Cómo realizar la instalación eléctrica del ventilador de techo

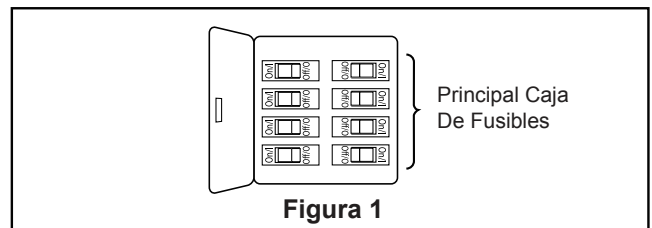
### ⚠ ADVERTENCIA

Para evitar una posible descarga eléctrica, asegúrese de cortar la alimentación eléctrica de la caja de fusibles principal antes de alambrado el ventilador. (Figura 1)

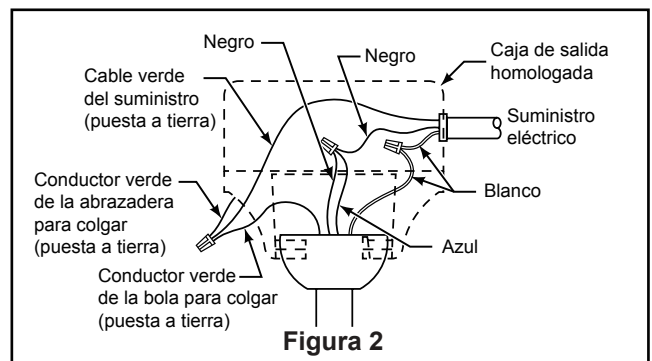
### ⚠ AVERTISSEMENT

Pour éviter tout risque d'électrocution, assurez-vous que l'alimentation électrique est coupée au niveau du boîtier à fusibles principal avant d'effectuer le câblage. (Figure 1)

1. Conecte el conductor verde con conexión a tierra de la bola para colgar y el conductor verde con conexión a tierra de la abrazadera para colgar al conductor de suministro con conexión a tierra (posiblemente un conductor desnudo o un cable con aislante verde). Conecte los cables a los conectores provistos de forma segura. (Figura 2)



2. Conecte el conductor blanco del motor del ventilador al conductor blanco (neutro) mediante el conector provisto de forma segura. Conecte el conductor negro del motor del ventilador y el conector azul al conductor negro mediante el conector provisto de forma segura. (Figura 2)





## Cómo realizar la instalación eléctrica del ventilador de techo (cont.)

3. Una vez realizadas las conexiones, gire los conductores hacia arriba y, con cuidado, colóquelos dentro de la caja de salida; con los conductores blancos y verdes hacia un lado y los conductores negros hacia el otro. (Figura 3)

### ⚠ ADVERTENCIA

Verifique que todas las conexiones estén ajustadas, incluida la conexión a tierra, y que no haya conductores desnudos visibles en los conectores. No opere el ventilador hasta que las aspas estén instaladas. Podría ocasionar ruidos y daños al motor.

### ⚠ AVERTISSEMENT

Vérifiez que tous les raccordements sont bien serrés, y compris la mise à la terre, et qu'aucun fil dénudé n'est visible au niveau des capuchons de connexion. Ne faites pas fonctionner le ventilateur avant d'avoir installé les pales. Du bruit et des dommages au moteur pourraient en résulter.

#### Aditamentos utilizados:

Conectores de cable X 3

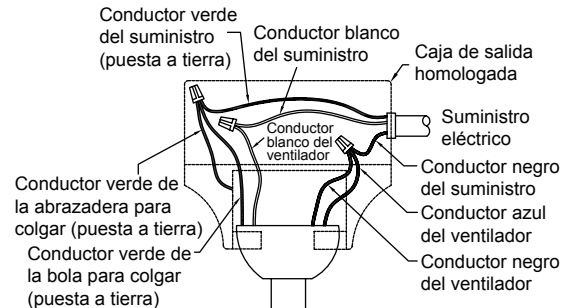


Figura 3

## Cómo instalar la carcasa de la cubierta (Varilla)

1. Levante el ventilador del enganche del soporte colgante e instale su ventilador deslizando la cubierta del techo con dos tornillos aflojados en las ranuras en forma de "L" de la cubierta. Asegúrese de que todo el cableado se introduce adecuadamente en la cubierta del techo y que no se presiona ningún cable. Una vez que la cubierta está colocada y alineada con el techo, gire en el sentido de las agujas del reloj para asentar los tornillos en la parte correcta de la ranura. A continuación fije adecuadamente los tornillos y instale los dos tornillos restantes extraídos en el paso 1 de la página 30 (**Cómo colgar el ventilador de techo**) para asegurar la cubierta del techo al soporte colgante del techo. (Figura 1)

2. Instale la carcasa de los tornillos de la cubierta girándola en el sentido de las agujas del reloj y presionando hacia la cubierta del techo. (Figura 2)

### ⚠ ADVERTENCIA

Para evitar un posible incendio o una descarga eléctrica, asegúrese que los cables eléctricos estén por completo dentro de la carcasa del dosel y no queden pisados entre la carcasa y el techo.

### ⚠ AVERTISSEMENT

Pour éviter tout risque d'incendie ou de choc, assurez-vous que les fils électriques sont complètement à l'intérieur du boîtier de la monture et qu'ils ne sont pas pincés entre le boîtier et le plafond.

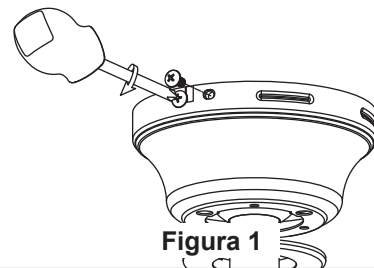


Figura 1

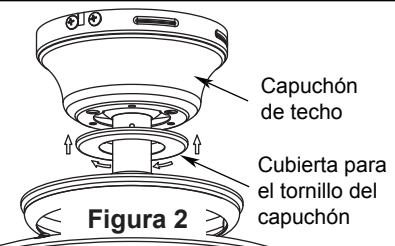
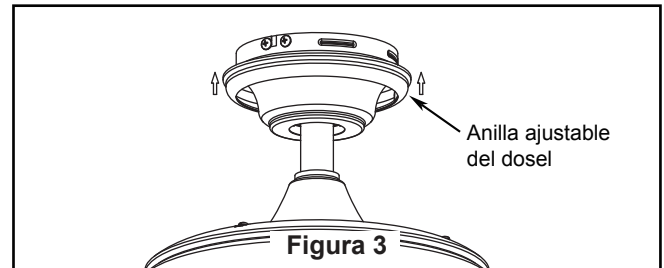


Figura 2

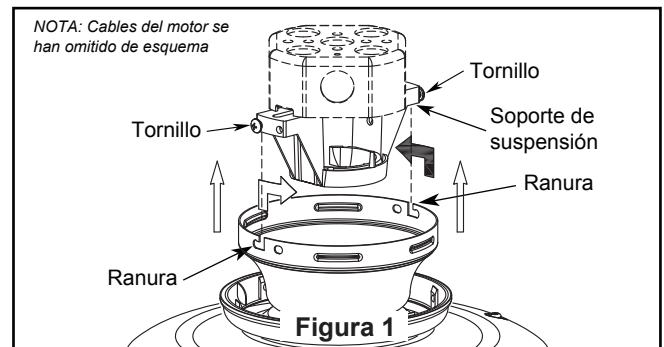
## Cómo instalar la carcasa de la cubierta (Varilla)-cont.

3. Presione hacia arriba el anillo de la cubierta de tornillos para ocultar los tornillos. Así, las pestañas de montaje se coloquen en las ranuras con muescas ubicadas en la cubierta del techo entre los tornillos. (Figura 3)

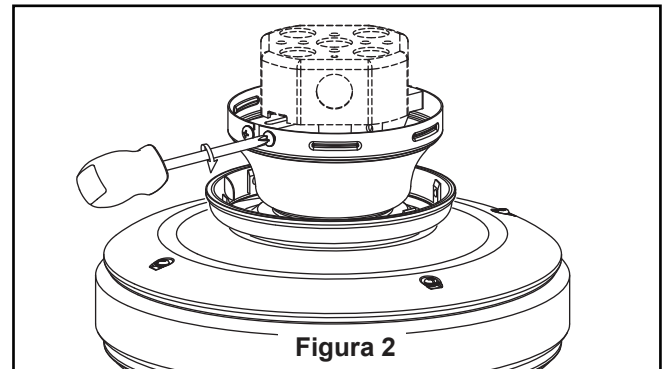


## Cómo instalar la carcasa de la cubierta (Cerca de techo)

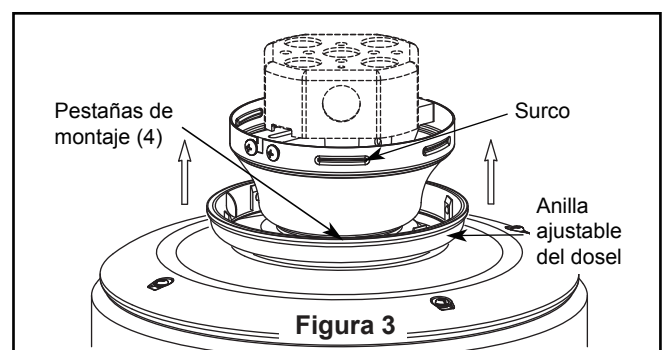
1. Levante el ventilador del enganche del soporte colgante e instale su ventilador deslizando la cubierta del techo con dos tornillos aflojados en las ranuras en forma de "L" de la cubierta. Asegúrese de que todo el cableado se introduce adecuadamente en la cubierta del techo y que no se presiona ningún cable. Una vez que la cubierta está colocada y alineada con el techo, gire en el sentido de las agujas del reloj para asentar los tornillos en la parte correcta de la ranura. A continuación fije adecuadamente los tornillos. (Figura 1)



2. Instale los dos tornillos restantes extraídos en el paso 1 de la página 30 (Cómo colgar el ventilador de techo) para asegurar la cubierta del techo al soporte colgante del techo. (Figura 2)



3. Presione hacia arriba el anillo de la cubierta de tornillos para ocultar los tornillos. Así, las pestañas de montaje se coloquen en las ranuras con muescas ubicadas en la cubierta del techo entre los tornillos. (Figura 3)



# Cómo ensamblar las aspas del ventilador de techo

## PRECAUCIÓN

No conecte las aspas hasta que el ventilador esté totalmente instalado. Instalar el ventilador con las aspas colocadas podría ocasionar daños en las mismas.

1. Coloque el aspa sobre el soporte de aspas con los pilotes roscados a la vista. Asegúrese de que la parte inferior del aspa se encuentre bien apoyada sobre el soporte. Con un destornillador Phillips, fije los tornillos de cabeza dentada de 3/16"-24 con arandela de plana para asegurar la placa en el brazo de sujeción de las palas. (Figura 1)

2. Ajuste las aspas ensambladas y los soportes al del motor con los tornillos y las arandelas de seguridad en bolsas de accesorios suministrados. Asegúrese de que los tornillos que fijan los soportes de aspas al buje del motor estén bien ajustados y que los soportes de aspas estén correctamente colocados. (Figura 2)

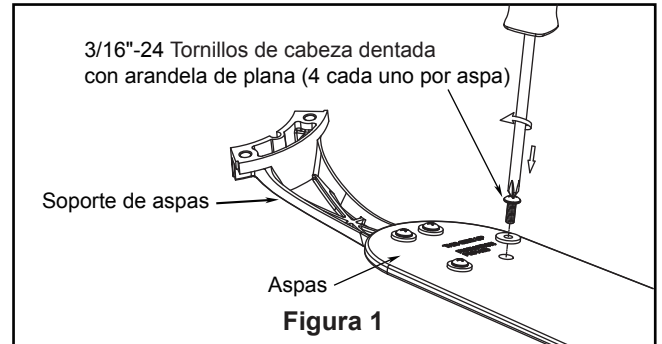
**NOTA:** Periódicamente verifique los aditamentos de los soportes de las aspas y vuelva a asegurarlos si es necesario.

## PRECAUCIÓN

Para reducir el riesgo de lesiones personales, no doble los soportes de aspas al instalarlos, balancear las aspas o limpiar el ventilador. No coloque objetos extraños entre las aspas del ventilador en funcionamiento.

## ATTENTION

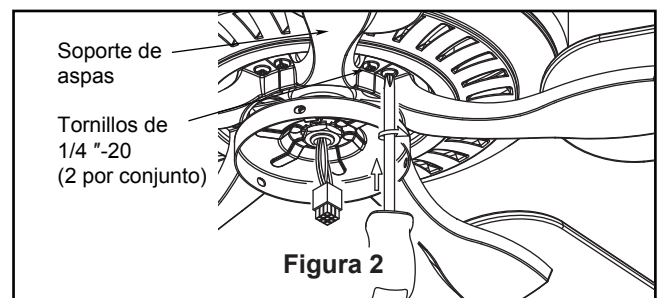
Ne raccordez pas les pales du ventilateur tant que le ventilateur n'est pas complètement installé. L'installation du ventilateur avec les pales assemblées peut endommager les pales du ventilateur.



### Aditamentos utilizados:

Tornillos de cabeza dentada 3/16"-24 X 20

Arandela de plana X 20



### Aditamentos utilizados:

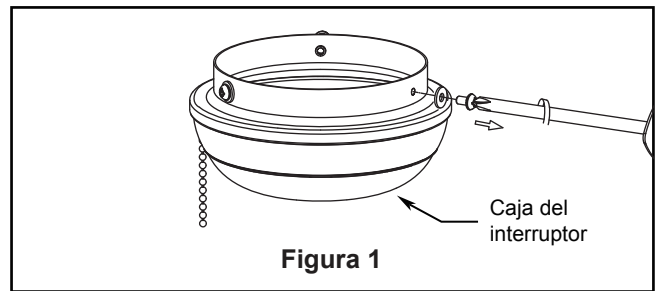
Tornillos de 1/4"-20 X 10

## ATTENTION

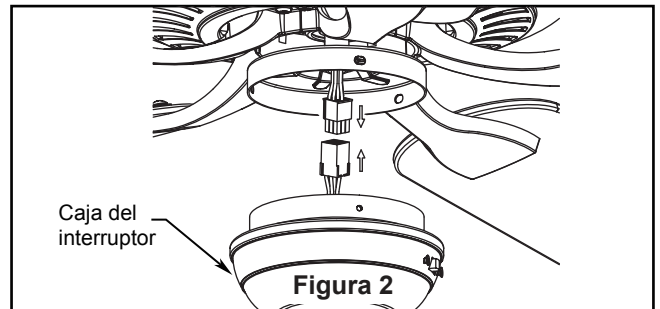
Afin de réduire le risque de blessure, ne pliez pas les porte-pales lors de l'installation, de l'équilibrage des pales, ou du nettoyage du ventilateur. N'insérez pas de corps étrangers entre les pales en rotation.

## Cómo ensamblar su caja del interruptor

1. Extraiga los tres tornillos desde el caja de interruptor y guarde los tornillos para pasos posteriores. (Figura 1)



2. Fije firmemente el conector de 9 pasadores de la unidad del motor al enchufe del mazo de cables dentro de la unidad caja del interruptor. (Figura 2)



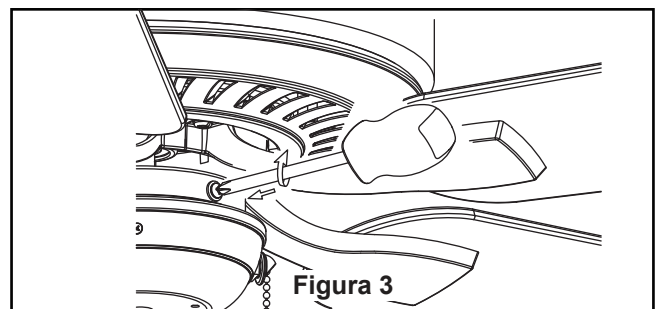
### ⚠ ADVERTENCIA

La etiqueta de color de estos dos conectores debe corresponder mutuamente.

### ⚠ AVERTISSEMENT

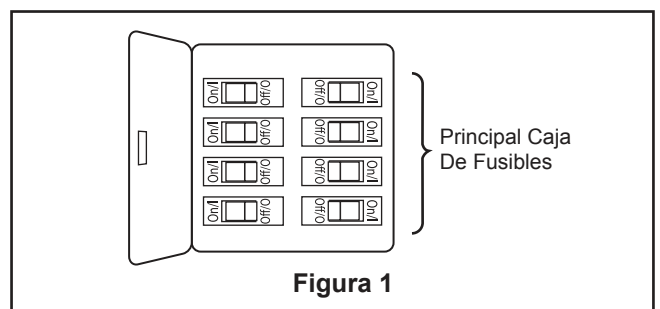
L'étiquette de couleur sur ces deux connecteurs doit correspondre les uns aux autres.

3. Ensamble la caja del interruptor al adaptador de la caja con el tornillos previamente retirado (Figura 3)



## Cómo utilizar su ventilador de techo

1. Restaure la fuente de alimentación de la toma de corriente enciendo la electricidad del fusible principal. (Figura 1)



### ⚠ ADVERTENCIA



Compruebe que todas las conexiones realizadas correctamente, incluyendo la toma de tierra, y que no se visualizan ningún cable pelado en los conectores de cables, con la excepción del cable de toma de tierra. No utilice el ventilador hasta que las palas estén colocadas en su lugar, ya que de lo contrario se podría causar ruido y daños.

### ⚠ AVERTISSEMENT

Vérifiez que tous les raccordements sont bien serrés, y compris la mise à la terre, et qu'aucun fil dénudé n'est visible au niveau des capuchons de connexion, à l'exception du fil de mise à la terre. Ne faites pas fonctionner le ventilateur avant d'avoir installé les pales. Du bruit et des dommages au ventilateur pourraient en résulter.

## Cómo utilizar su ventilador de techo (cont.)

2. Instale el acoplador de la cadena del tirador del ventilador. (Figura 2)

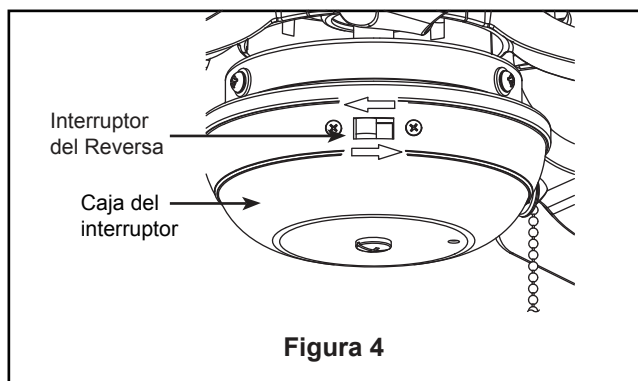
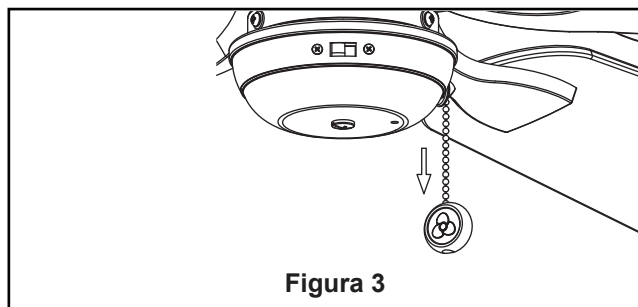
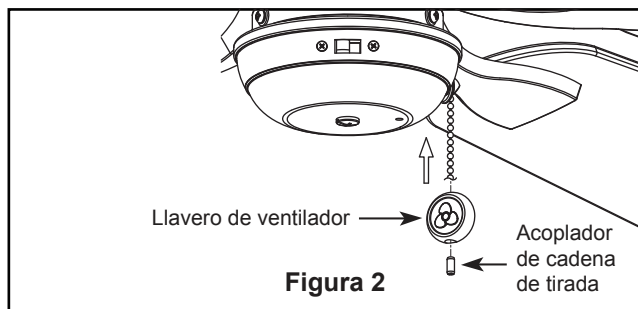
Aditamentos utilizados:		
Llavero de ventilador		X 1
Acoplador de cadena de tirada		X 1

3. Verifique el funcionamiento del ventilador jalando suavemente del acoplador de la cadena del tirador del ventilador. (Figura 3)

Secuencia de funcionamiento de la cadena del tirador del ventilador	
1.ª tirada	Alta
2.ª tirada	Media
3.ª tirada	Baja
4.ª tirada	Apagado

4. Si desea que el flujo de aire corra en la dirección opuesta, apague el ventilador y espere hasta que las aspas dejen de girar. Deslice el interruptor de reversa a la posición opuesta y vuelva a encender el ventilador. (Figura 4)

Información sobre el interruptor de reversa		
Temporada	Dirección de rotación	Posición del interruptor
Verano	En dirección con traria a las manecillas del reloj	Izquierda
Invierno	En dirección de las manecillasdel reloj	Derecha



## Mantenimiento

El único mantenimiento necesario para el ventilador de techo es una limpieza periódica. Al llevar a cabo la limpieza, use sólo un cepillo suave o un paño sin pelusas, para evitar rayar el acabado. No se requieren agentes abrasivos de limpieza; los mismos deben evitarse para prevenir daños en el acabado.

### PRECAUCIÓN

No utilice solventes para limpiar el ventilador de techo. Podrían dañar el motor o las aspas y ocasionar posibles descargas eléctricas.

### ATTENTION

N'utilisez pas d'eau pour nettoyer votre ventilateur de plafond. Cela pourrait endommager le moteur ou la finition, et créer une possibilité d'électrocution.

## Limpieza de las aspas

Se recomienda limpiar el polvo de las aspas periódicamente. Lo mejor es utilizar un plumero.

Evite usar agua, productos de limpieza o trapos ásperos, que pueden combar o dañar las aspas.

# Solución de problemas

## ⚠ ADVERTENCIA

Para su propia seguridad, desconecte la electricidad de la caja de fusibles o disyuntor antes de solucionar problemas en su ventilador.

## ⚠ AVERTISSEMENT

Pour votre sécurité, placez le coffret à fusibles ou le disjoncteur hors tension avant de tenter d'identifier tout problème pouvant affecter votre ventilateur.

Problema	Causa posible	Solución sugerida
<b>1. EL VENTILADOR NO ARRANCA</b>	<ol style="list-style-type: none"> <li>1. El fusible o el disyuntor están fundidos.</li> <li>2. Las conexiones eléctricas del ventilador o del interruptor en la caja del interruptor están flojas.</li> <li>3. El conmutador inversor se encuentra en posición neutra.</li> </ol>	<ol style="list-style-type: none"> <li>1. Controle los fusibles del circuito principal y derivado o los disyuntores.</li> <li>2. Controle las conexiones eléctricas del ventilador y del interruptor en las cajas de los interruptores. <b>PRECAUCIÓN: ¡Asegúrese de que el suministro principal de electricidad esté desconectado!</b> <b>ATTENTION: Assurez-vous que l'alimentation électrique principale est coupée !</b></li> <li>3. Asegúrese de que el conmutador inversor esté completamente a un lado.</li> </ol>
<b>2. EL VENTILADOR HACE RUIDO</b>	<ol style="list-style-type: none"> <li>1. Las aspas no están sujetas al ventilador</li> <li>2. Hay tornillos flojos en la caja del motor.</li> <li>3. Los tornillos que aseguran los soportes de las aspas al buje del motor están flojos.</li> <li>4. Los conectores de cables dentro de la caja hacen ruido.</li> <li>5. Los tornillos que sujetan las aspas a los soportes de aspas están flojos.</li> <li>6. El tornillo del soporte de la cubierta inferior está flojo.</li> </ol>	<ol style="list-style-type: none"> <li>1. Ajuste las aspas al ventilador antes de ponerlo en funcionamiento.</li> <li>2. Asegúrese de que todos los tornillos de la caja del motor estén bien ajustados (pero no en exceso).</li> <li>3. Asegúrese de que los tornillos que fijan los soportes de aspas al buje del motor del ventilador estén bien ajustados.</li> <li>4. Asegúrese de que los conectores de cables en la caja del interruptor no produzcan ruido al rozar unos con otros o al rozar la pared interior de la caja del interruptor. <b>PRECAUCIÓN: ¡Asegúrese de que el suministro principal de electricidad esté desconectado!</b> <b>ATTENTION: Assurez-vous que l'alimentation électrique principale est coupée !</b></li> <li>5. Ajuste bien los tornillos.</li> <li>6. Asegure bien los tornillos de fijación.</li> </ol>
<b>3. EL VENTILADOR OSCILA EN EXCESO</b>	<ol style="list-style-type: none"> <li>1. El tornillo de fijación del soporte de barral está flojo.</li> <li>2. El tornillo de fijación en la unidad del barral/de la semiesfera está flojo.</li> <li>3. Los tornillos que aseguran los soportes de las aspas al volante están flojos.</li> <li>4. Los soportes de aspas no están colocados correctamente.</li> <li>5. El soporte de suspensión o la caja de distribución eléctrica del techo no están bien asegurados.</li> </ol>	<ol style="list-style-type: none"> <li>1. Ajuste bien los dos tornillos de fijación en el soporte de barral.</li> <li>2. Ajuste el tornillo de fijación en la unidad del barral/ de la semiesfera.</li> <li>3. Asegúrese de que los tornillos que fijan los soportes de aspas al volante del motor del ventilador estén bien ajustados.</li> <li>4. Asegúrese de que los soportes de las aspas del ventilador estén colocados firmemente y de manera uniforme en relación con la superficie de la caja del motor. Si los soportes están mal colocados, afloje los tornillos y vuelva a ajustarlos.</li> <li>5. Ajuste los tornillos del soporte de suspensión de la caja de distribución eléctrica y asegúrela.</li> </ol>
<b>4. NO HAY SUFICIENTE MOVIMIENTO DE AIRE</b>		<ol style="list-style-type: none"> <li>1. Si es posible, considere el uso de un barral más largo. Por ejemplo (no incluido, usted puede comprar el tiempo de la vara hacia abajo fanimation.com)</li> </ol>

## Lista de piezas

Modelo N.º FP9072\*\*

N.º de Ref.	Descripción	Pieza # N.º
1	Unidad del soporte de suspensión	APGAC1113RBL
2	Unidad del barral/de la semiesfera	ADR1SS-45**
3	Anilla ajustable del dosel	PPAC1081**
4	Capuchón de techo	PPAC1003**
5	Cubierta para el tornillo del capuchón	PPAC1102**
6	Cubierta de unión del motor	APPAC1404**
7	Unidad del motor	AMA9072**
8	Juego de soporte de aspas	AP907214**
9	Juego de aspas	AP907205**
10	Caja del interruptor	AP907202**
11	<b>Bolsas de accesorios:</b>	HDWFP9044**
	Conectores de cable (4)	
	Llavero de ventilador (1) / Acoplador de cadena de tirada (1)	
	Kit de cable de seguridad	
	Tornillos para cajas de conexiones, acero inoxidable (2)	
	Arandela plana, acero inoxidable (2)	
	<b>Bolsa de accesorios para el montaje de los soportes de aspas que contiene:</b>	
	Tornillos de 1/4"-20 con arandelas de seguridad, acero inoxidable (11)	
	<b>Bolsa de accesorios para el montaje de aspas que contiene:</b>	
	3/16 "-24 tornillos de cabeza dentada, acero inoxidable (21)	
Arandela plana, acero inoxidable (21)		

**Antes de desechar los materiales de embalaje, asegúrese de haber extraído todas las piezas**

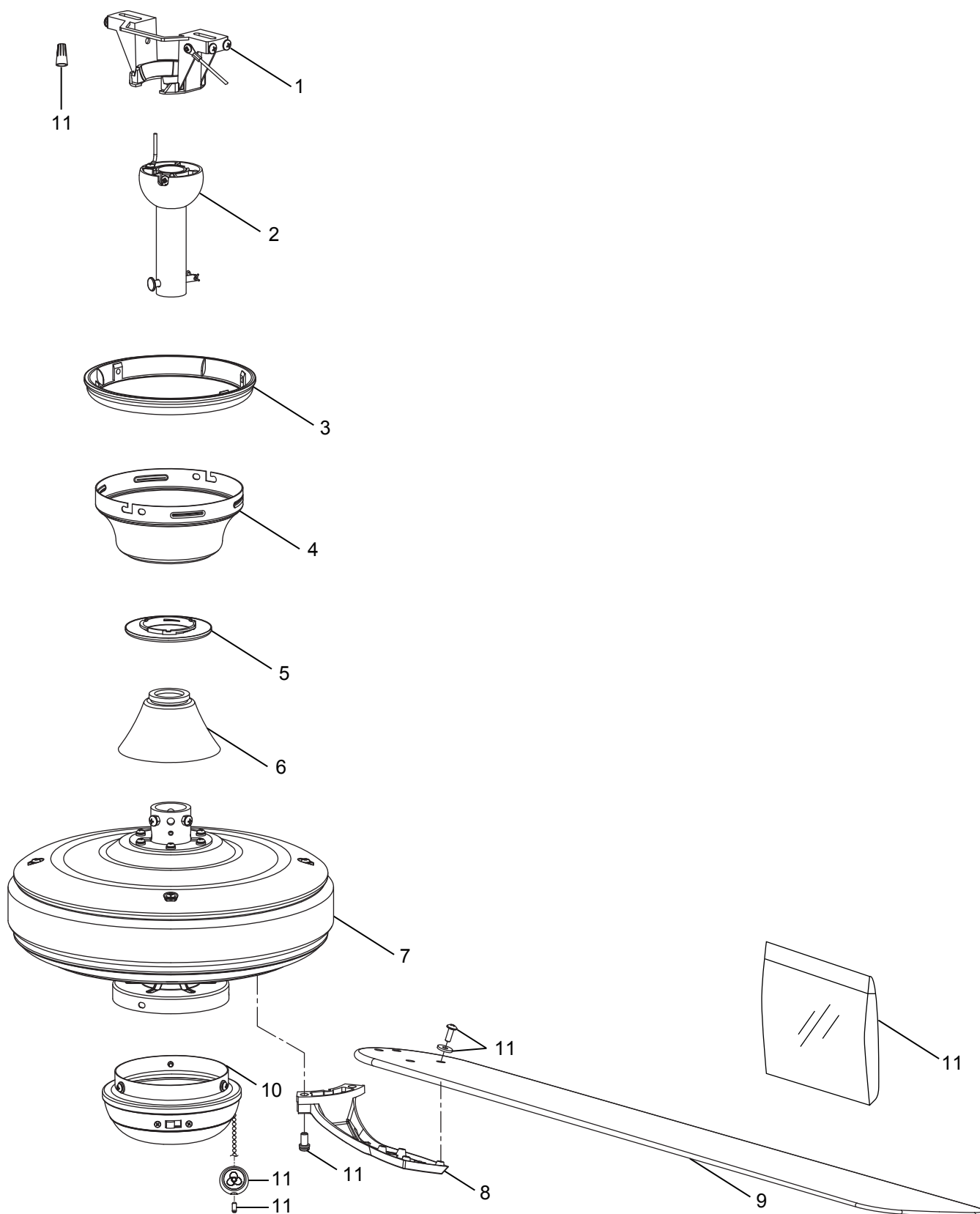
### Cómo hacer un pedido de piezas

Al hacer un pedido de piezas de repuesto, proporcione siempre la siguiente información:

- Número de pieza
- Descripción de la pieza
- Número de modelo del ventilador

Póngase en contacto con su tienda para obtener las piezas de repuesto.

**EDGEWOOD™ 72**  
**Modelo N.º FP9072\*\***  
**Ilustración del despiece**



**NOTA:** La ilustración que se muestra no está hecha a escala y su configuración real y/o terminación puede variar.





10983 Bennett Parkway  
Zionsville, IN 46077  
Llame sin cargo al (888) 567-2055  
FAX (866) 482-5215  
Desde fuera de los EE.UU., llame al (317) 733-4113  
Visite nuestro sitio Web en [www.fanimation.com](http://www.fanimation.com)

2020/11 V.01  
Copyright 2020 Fanimation