

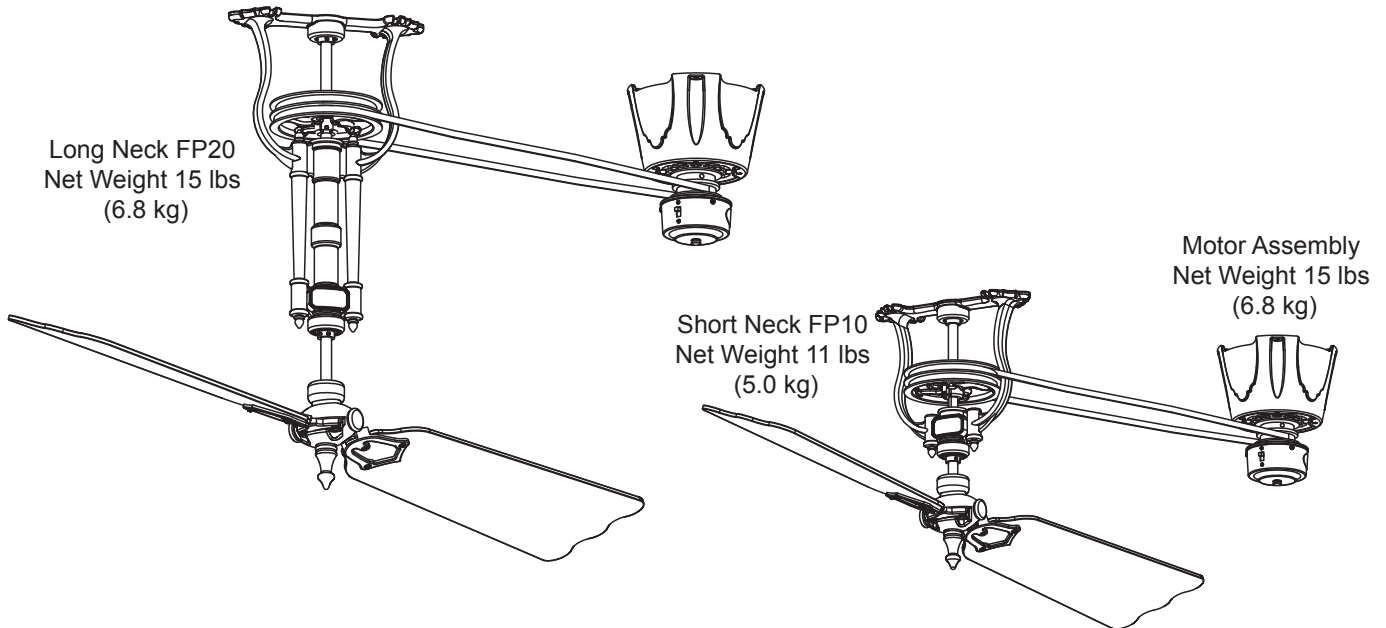


**FANIMATION®**  
SHOWROOM COLLECTION

## BREWMASTER® BELT-DRIVEN CEILING FAN

MODEL #FP1280\*\*

Español p. 19



**ATTACH YOUR RECEIPT HERE AND REGISTER YOUR FAN AT [FANIMATION.COM](http://FANIMATION.COM)  
READ AND SAVE THESE INSTRUCTIONS**

**Date Code** \_\_\_\_\_ **Purchase Date** \_\_\_\_\_

For best and quickest service please provide date code. You can find the date code on the carton, hand-held remote (inside of the battery compartment), frame of fan and motor housing.



**Questions, problems, missing parts?** Before returning to your retailer, call our customer service department at 1-888-567-2055, 8 a.m.-5 p.m., EST, Monday-Friday.

## Important Safety Instructions

### **WARNING: To avoid fire, shock and serious personal injury, follow these instructions.**

1. Read your owner's manual and safety information before installing your new fan. Review the accompanying assembly diagrams.
2. Before servicing or cleaning unit, switch power off at service panel and lock service panel disconnecting means to prevent power from being switched on accidentally. When the service disconnecting means cannot be locked, securely fasten a warning device, such as a tag, to the service panel.
3. Be careful of the fan and blades when cleaning, painting, or working near the fan. Always turn off the power to the ceiling fan before servicing.
4. Do not insert anything into the fan blades while the fan is operating.
5. Do not operate reversing switch until fan blades have come to a complete stop.
6. The appliance is not intended for use by young children or infirm persons without supervision. Young children should be supervised to ensure that they do not play with the appliance.

## Additional Safety Instructions

1. To avoid possible shock, be sure electricity is turned off at the fuse box before wiring, and do not operate fan without blades.
2. All wiring and installation procedures must satisfy National Electrical Codes (ANSI/ NFPA 70). Use the National Electrical Code if Local Codes do not exist. The ceiling fan must be grounded as a precaution against possible electrical shock. Electrical installation should be made or approved by a licensed electrician.
3. The fan base must be securely mounted and capable of reliably supporting at least 100 lbs. (fan and accessories not to exceed 35 lbs). Outlet boxes are not acceptable for fan support. See page 6 of owner's manual for support requirements. Consult a qualified electrician if in doubt.
4. **CAUTION:** To reduce the risk of personal injury, mount the fan base to a ceiling joist or structural member using the hardware provided with your fan.

**WARNING:** Support Directly from Building Structure.

**WARNING:** The fan cannot be installed on a sloped ceiling.

5. The fan must be mounted with the fan blades at least 7 feet from the floor to prevent accidental contact with the fan blades.
6. Follow the recommended instructions for the proper method of wiring your ceiling fan. If you do not have adequate electrical knowledge or experience, have your fan installed by licensed electrician.
7. Suitable for use with solid-state speed controls.

**WARNING:** To reduce the risk of fire or electric shock, this fan should only be used with Fan Speed Control Part No. UC7051FMR, manufactured by Rhine Electronic Co., Ltd.

**WARNING:** TO REDUCE THE RISK OF ELECTRIC SHOCK, THIS FAN MUST BE INSTALLED WITH AN ISOLATING WALL CONTROL/SWITCH.

**WARNING:** This product is designed to use only those parts supplied with this product and/or accessories designated specifically for use with this product. Using parts and/or accessories not designated for use with this product could result in personal injury or property damage.

**WARNING:** To reduce the risk of personal injury, do not bend the blade bracket (flange or blade holder) when installing the brackets, balancing the blades, or cleaning the fan. Do not insert foreign objects in between rotating fan blades.

8. For supply connections, if the conductor of a fan is identified as a grounded conductor, then it should be connected to a grounded conductor power supply. If the conductor of a fan is identified as an ungrounded conductor, then it should be connected to an ungrounded conductor power supply. If the conductor of a fan is identified for equipment grounding, then it should be connected to an equipment grounding conductor.

9. The remote control of this product contains lithium button/coin cell batteries. If a new or used lithium button/coin cell battery is swallowed or enters the body, it can cause severe internal burns and can lead to death in as little as 2 hours. Always completely secure the battery compartment. If the battery compartment does not close securely, stop using the remote control of the product, remove the batteries, and keep it away from children. If you think batteries might have been swallowed or placed inside any part of the body, seek immediate medical attention.

- The cells shall be disposed of properly, including keeping them away from children.

- Even used cells may cause injury.

**WARNING:** Chemical Burn Hazard. Keep batteries away from children.

**WARNING:** TO REDUCE THE RISK OF ELECTRIC SHOCK, THIS FAN MUST BE INSTALLED WITH A GENERAL USE ISOLATING WALL CONTROL/SWITCH.

**WARNING:** This product is designed to use only those parts supplied with this product and/or accessories designated specifically for use with this product. Using parts and/or accessories not designated for use with this product could result in personal injury or property damage.

**WARNING:** To reduce the risk of personal injury, do not bend the blade bracket (flange or blade holder) when installing the brackets, balancing the blades, or cleaning the fan. Do not insert foreign objects in between rotating fan blades.

**WARNING:** Do not operate this fan with a variable (Rheostat) wall controller or dimmer switch. Doing so could result in damage to the ceiling fan's remote control unit.

**This device complies with Part 15 of the FCC Rules. Operation is subject to the following two conditions:**

**(1) This device may not cause harmful interference, and (2) this device must accept any interference received, including interference that may cause undesired operation. If the intentional radiator can be classified as a Class B digital device or a PC peripheral, then shall include the following or equivalent:**

**Note:** This equipment has been tested and found to comply with the limits for Class B digital device, pursuant to part 15 of the FCC Rules. These limits are designed to provide reasonable protection against harmful interference in a residential installation.

**This equipment generates, uses and can radiate radio frequency energy and, if not installed and used in accordance with the instructions, may cause harmful interference to radio or television reception, which can be determined by turning the equipment off and on, the user is encouraged to try to correct the interference by one or more of the following measures:**

- Reorient or relocate the receiving antenna.

- Increase the separation between the equipment and the receiver.

- Connect the equipment into an outlet on a circuit different from that to which the receiver is connected.

Consult the dealer or an experienced radio/TV technician for help.

**Note:** For a Class A digital device, statements of 15. 105(a) must be included when appropriate for the device in question.

# LIMITED LIFETIME WARRANTY

**Extends to the original purchaser of a Fanimation fan from an authorized Fanimation dealer/retailer only**

1. LIMITED LIFETIME MOTOR WARRANTY - If any part of your fan motor fails, due to a defect in materials or workmanship during the lifetime of the original purchaser, Fanimation will provide the replacement part free of charge, when the defective fan is returned to our national service center. Proof of purchase is required. Customer shall be responsible for all costs incurred in the removal or reinstallation and shipping of the product for repairs or replacement.
2. ONE YEAR MOTOR LABOR WARRANTY - If your fan motor fails at any time within one year from the original purchase, due to defects in materials or workmanship, labor to repair the motor will be provided free of charge at our national service center. Purchaser will be responsible for labor charges after this one-year period. Customer shall be responsible for all costs incurred in the removal or reinstallation and shipping of the product for repairs or replacement.
3. If any other part of your fan fails at any time within one year after original purchase, due to a defect in materials or workmanship, we will repair, or replace, at our option, the defective part free of charge for parts and labor performed at our national service center.
4. Because of varying climate conditions, this warranty does not cover changes in the finish, including rusting, pitting, corroding, tarnishing, or peeling.
5. This warranty is void and does not apply to damage from improper installation, neglect, accident, misuse, exposure to extremes of heat or humidity, or as a result of any modification to the original product.
6. All costs of removal and reinstallation of the fan are the sole responsibility of the owner of the fan and not the store that sold the fan or Fanimation.
7. Fanimation reserves the right to modify or discontinue any product at any time and may substitute any part under this warranty.
8. Under no circumstances may a fan be returned without prior authorization from Fanimation. The receipt of purchase must accompany authorized returns and must be sent freight prepaid to Fanimation. The fan to be returned must be properly packed to avoid damage in transit; Fanimation will not be responsible for any damage resulting from improper packaging.
9. It is understood that any repair or replacement is the exclusive remedy available from Fanimation. There is no other expressed or implied warranty. Fanimation hereby disclaims any and all implied warranties, including, but not limited to those of merchantability and fitness for a particular purpose to the extent permitted by law. Some states do not allow limitations on implied warranties. Fanimation will not be liable for incidental, consequential, or special damages arising out of or in conjunction with product use or performance, except as may otherwise be accorded by law. This warranty gives you special legal rights and you may also have other rights that vary from state to state.
10. A certain amount of wobble is normal and should not be considered a problem or a defect.

## Table of Contents

<b>Motor Assembly- Unpacking Instructions and Parts Identification</b> .....	<b>4</b>
<b>Pulley Assembly-Unpacking Instructions and Parts Identification</b> .....	<b>5</b>
<b>Electrical and Structural Requirements</b> .....	<b>6</b>
<b>Lighting Options.</b> .....	<b>6</b>
<b>How to Set Your Switch Cap Remote Receiver</b> .....	<b>7</b>
<b>How to Set Up Your Remote Control</b> .....	<b>7</b>
<b>How to Hang and Wire Your Ceiling Fan.</b> .....	<b>8</b>
<b>Belt Splicing Instructions.</b> .....	<b>10</b>
<b>Mounting the Fan Blades.</b> .....	<b>11</b>
<b>Operating Instructions-Remote Control.</b> .....	<b>12</b>
<b>How to Install Your Remote Control.</b> .....	<b>13</b>
<b>Maintenance</b> .....	<b>14</b>
<b>Blade Cleaning</b> .....	<b>14</b>
<b>Trouble Shooting</b> .....	<b>14</b>
<b>Exploded-View Drawing &amp; Parts List, Motor Assembly</b> .....	<b>15</b>
<b>Parts List, Pulley Assembly.</b> .....	<b>16</b>
<b>Exploded-View Drawing, Pulley Assembly.</b> .....	<b>17</b>

This manual is designed to make it as easy as possible for you to assemble, install, operate and maintain your ceiling fan

## Tools Needed for Assembly (Not Included)

- One Phillips head screwdriver
- One stepladder
- One ¼" blade screwdriver
- One wire stripper

## Materials

Wiring outlet box and box connectors must be of type required by local code. The minimum wire would be a 3-conductor (2-wire with ground) of the following size:

Installed Wire Length	Wire Size A.W.G.
Up to 50 ft.	14
50-100 ft.	12

**⚠ WARNING**

Before assembling your ceiling fan, refer to section on proper method of wiring your fan (page 8). If you feel you do not have enough wiring knowledge or experience, have your fan installed by a licensed electrician.

**NOTE:** Place the parts from the loose parts bags in a small container to keep them from being lost. If any parts are missing, contact your local retailer.

## Motor Assembly - Unpacking Instructions and Parts Identification

For your convenience, check-off each step. As each step is completed, place a check mark. This will ensure that all steps have been completed and will be helpful in finding your place should you be interrupted.

**⚠ WARNING**

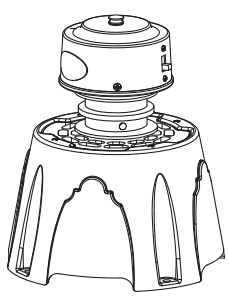
Do not install or use fan if any part is damaged or missing. This product is designed to use only those parts supplied with this product and/or any accessories designated specifically for use with this product by Fanimation. Substitution of parts or accessories not designated for use with this product by Fanimation could result in personal injury or property damage. Contact your retail store for missing or damaged parts.

Check to see that you have received the following parts:

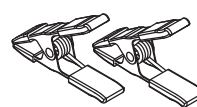
**NOTE:** If you are uncertain of part description, refer to exploded view illustration. (Figure 1, page 15)

- Fan Motor Assembly with built-in control receiver and hardware parts (Figure 1)
- Pulley Head Assembly and hardware parts (Figure 2)

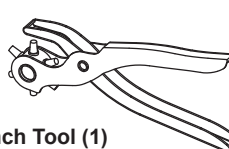
### FP1280 Motor Assembly and Hardware Parts Identification



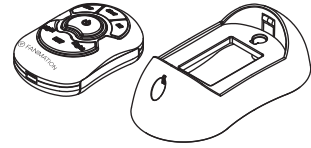
**FP1280 Motor Assembly with Switch Cap Receiver (1)**



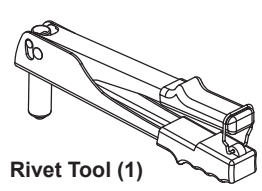
**Belt Clamps (2)**



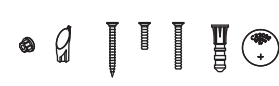
**Punch Tool (1)**



**Hand-held Remote (1)**

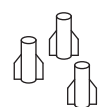


**Rivet Tool (1)**

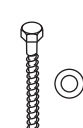


Control bracket (1)  
Plastic plug (4)  
#3-1" self tap screws (2)  
#6-32 x 3/4" screws (2)  
#6-32 x 1" screws (2)  
Plastic anchor (2)  
Batteries (2)

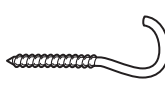
### Hardware Bags




**Wire Nuts (3)**



**Lag Bolt, 1/4" x 2" (4)**  
**Flat Washers, Ø5 x Ø14 x 1mm (4)**



**"J" Lag Bolt, 1/4" x 2" (1)**



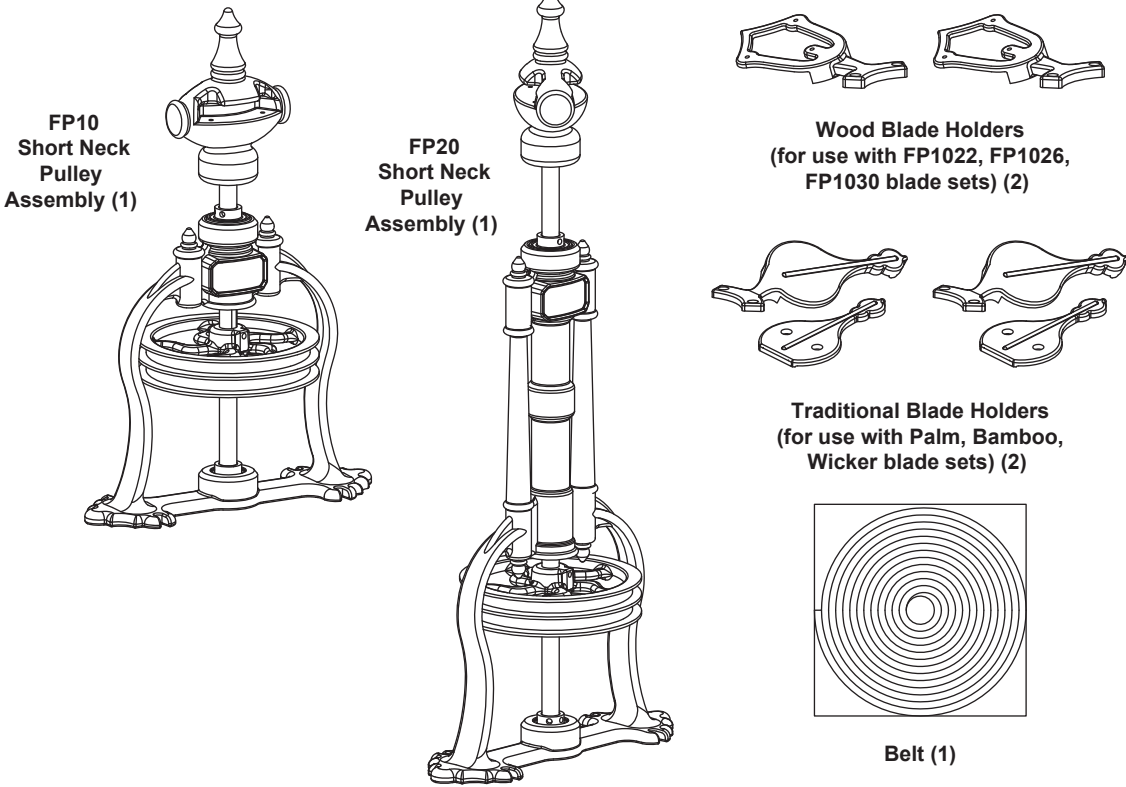
**Rivets, 3/32" x 7/32" (8) & Rivet Washers, 0.1 x 0.23 x 0.35 mm (8)**

**NOTE:** The illustration shown is not to scale or its actual configuration may vary. Parts and packings subject to change without notice.

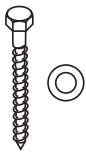
**Figure 1**

# Pulley Assembly-Unpacking Instructions and Parts Identification

## FP10 (Short)/FP20 (Long) Pulley Assembly and Hardware Parts Identification



### Hardware Bags



1/4" x 2 Lag Bolts (4),  
& Flat Washers,  
Ø5 x Ø14 x 1mm (4)



Traditional Blade Screws,  
3/16"-24 x 3/8" (5)



Blade Holder to Hub Screws,  
10-32 x 1/2" (5)



Wood Blade Screws,  
3/16"-24 x 1/2" (7)  
& Fiber Washers,  
Ø12.5 x Ø5 x 1mm (7)

**NOTE:** The illustration shown is not to scale or its actual configuration may vary. Parts and packings subject to change without notice.

Figure 2

**NOTE:** If you are uncertain of part description, refer to exploded view illustration. (Figure 2, page 17)

**NOTE:** Optional Wood Blade Holders (BH20 series) and B4000 wood blades are available for this assembly. Not for Damp Location usage.

## Electrical and Structural Requirements

Your new ceiling fan will require a grounded electrical supply line of 120 volts AC, 60 Hz, 15 amp circuit.

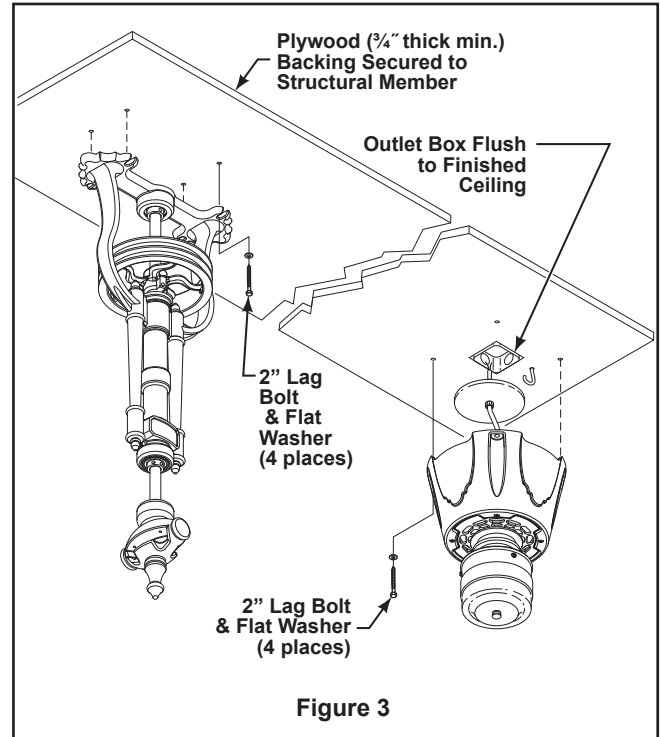
### INSTALLATION NOTE

*It is recommended that each fan and the motor have  $\frac{3}{4}$ " plywood backing secured to a structural member for adequate support (Figure 3). A 120 VAC electrical feed, centered under the motor unit and wired to a 3 speed control (supplied) is required. The motor unit will not operate more than 2 pulley/blade assemblies.*

If your fan is to replace an existing light fixture, turn electricity off at the main fuse box at this time and remove the existing light fixture.

### ⚠ WARNING

Turning off wall switch is not sufficient. To avoid possible electrical shock, be sure electricity is turned off at the main fuse box before wiring. All wiring must be in accordance with National and Local codes and the ceiling fan must be properly grounded as a precaution against possible electrical shock. Follow all wiring instructions carefully. Any electrical work not described in these instructions should be done or approved by a licensed electrician.



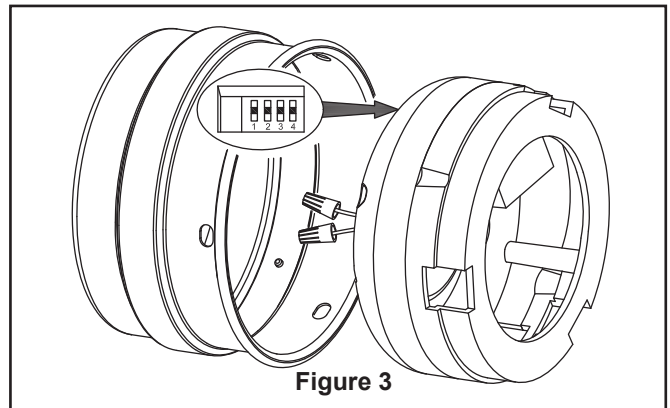
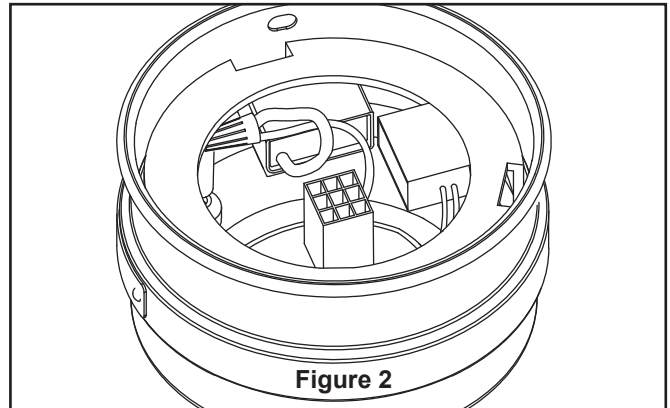
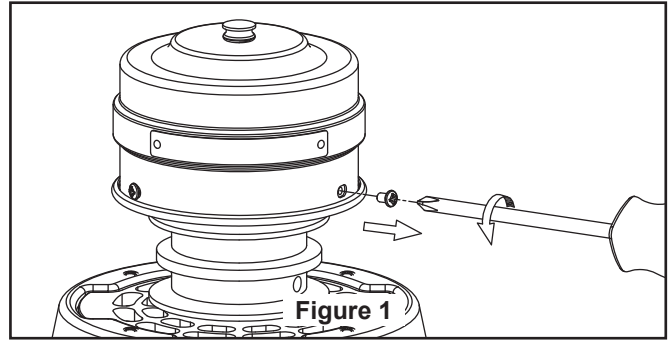
## Lighting Options

Optional lighting fitters and light kits are available, including a single bowl fixture with a maximum of 180 watts and a variety of four light fixtures with a maximum of 240 watts. Can be only mounted on the motor switch cup. Installation instructions provided with each light fitter and light kit.

## How to Set Your Switch Cap Remote Receiver

*This step is to be completed prior to hanging your motor.*

- 1. Removing the Switch Housing:**  
Remove the switch housing from the motor by unscrewing the three screws and unplugging the connector (Figures 1 & 2).
- 2. Removing the Receiver Unit:**  
Carefully, slide the remote Receiver from the Switch Cap Housing, and locate the code switches on the underside of the receiver unit (Figure 3).
- 3. Setting the Receiver Code:**  
The remote unit has 16 different code combinations. It may be necessary to test a couple frequency code settings to improve signal reception and/or eliminate interference from other remote control household items. Multiple fans should have different code settings to allow independent fan control. To set the code, slide code switches to the same positions as is set on your TR20 transmitter (Figure 3).
- 4. Installing Receiver in Switch Cap Housing:**  
Slide remote Receiver into the Switch Cap, connect the plug from the motor assembly into the socket located in the receiver unit (Figure 2 & 3).
- 5. Installing the Switch Cap Housing:**  
Slide the assembled Switch Cap Housing over the Switch Cap Base by installing and tightening the three screws (Figure 1).



### **⚠ WARNING**

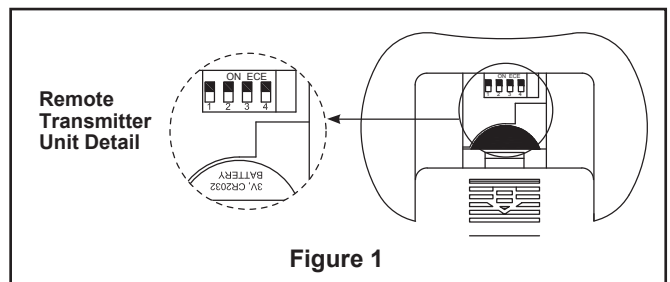
Check to see that all connections are tight. To avoid possible electrical shock, make sure that the electrical wires are completely inside the switch housing and not pinched between the switch cap base and switch housing.

## How to Set Up Your Remote Control

*If you feel that you do not have enough electrical wiring knowledge or experience, have your fan installed by a licensed electrician.*

### **⚠ WARNING**

To avoid possible electrical shock, be sure electricity is turned off at the main fuse box before wiring.  
**NOTE: If you are not sure if the outlet box is grounded, contact a licensed electrician for advice, as it must be grounded for safe operation.**



- 1. Setting the Code:** The remote unit has 16 different code combinations. To prevent possible interference from or to other remote units such as garage door openers, car alarm or security systems, simply change the combination code in your transmitter and receiver. To set the code, perform these steps.

• **Transmitter:** remove battery cover. Press firmly below arrow and slide battery cover off. Slide code switches to your choice of up or down position. Factory setting is all up. Do not use this position. With a small screwdriver or ball point pen slide firmly up or down (Figure 1). Replace battery cover on the transmitter.

# How to Hang and Wire Your Ceiling Fan

## INSTALLATION NOTE

It is recommended that each fan and the motor have  $\frac{3}{4}$ " plywood backing secured to a structural member for adequate support (Figure 1). A 120 VAC electrical feed, centered under the motor unit and wired to a 3 speed control (supplied) is required. The motor unit will not operate more than 4 pulley/blade assemblies.

## ⚠ WARNING

Do not install or use fan if any part is damaged or missing. This product is designed to use only those parts supplied with this product and/or any accessories designated specifically for use with this product by Fanimation. Substitution of parts or accessories not designated for use with this product by Fanimation could result in personal injury or property damage. Contact your retail store for missing or damaged parts.

## INSTALLATION NOTE

Motor assembly can be mounted at either end of Pulley assembly or in the middle.

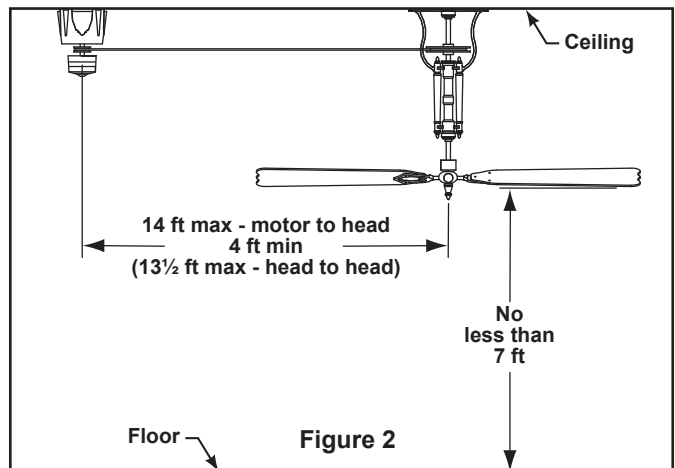
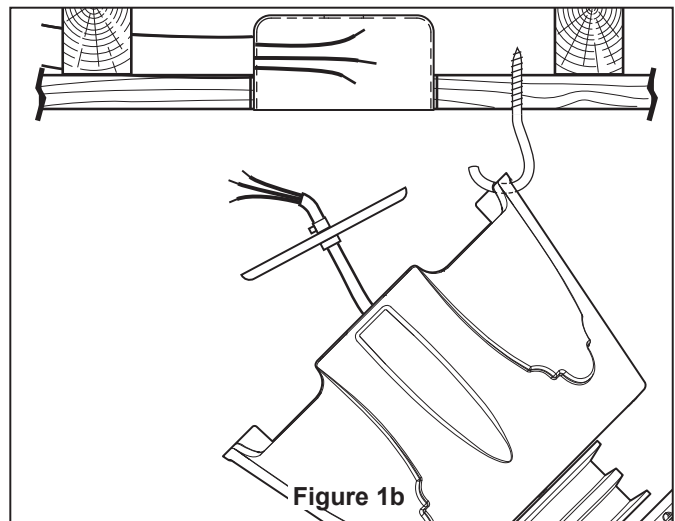
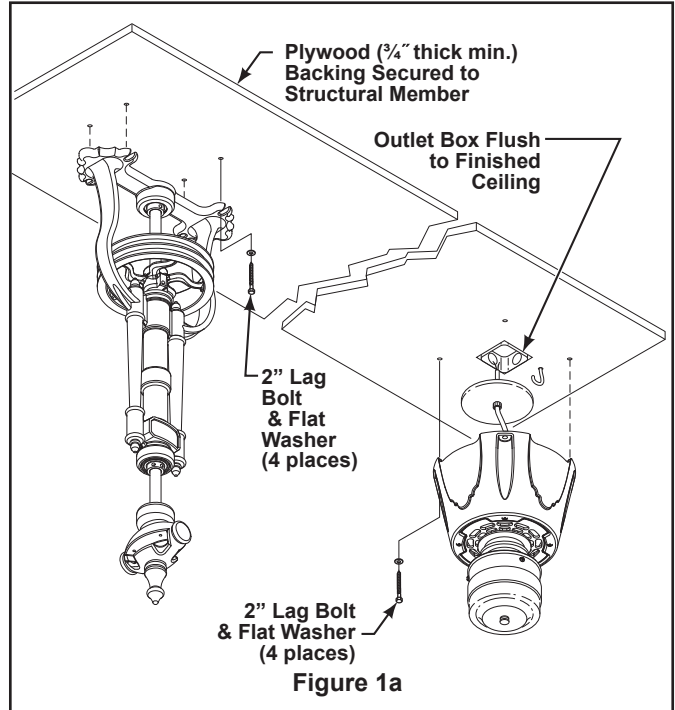
1. You will first drill  $\frac{3}{16}$ " pilot holes into the plywood base or supporting member to prevent splitting or cracking. Mount the Pulley Assembly on the ceiling with 4 lag bolts and flat washers. (Figure 1a)
2. Drill  $\frac{3}{16}$ " pilot hole located approximately as shown in Figure 1a & 1b for lag "J" hook. Screw lag hook into ceiling.
3. Hang motor assembly on lag hook for ease of wiring fan motor (Figure 1b).

## INSTALLATION NOTE

The fan must be hung with at least 7' of clearance from floor to blade. The maximum overall (belt) length between motor & pulley is 14' and the minimum is 4'. (Figure 2) For two-pulley assembly installation: The maximum overall distance between two pulley assemblies is 13½' and the minimum is 5'.

## CAUTION

Do not connect fan blades until the fan is completely installed. Hanging fan with blades connected may result in damage to the fan blades.





# How to Hang and Wire Your Ceiling Fan (continued)

If you feel that you do not have enough electrical wiring knowledge or experience, have your fan installed by a licensed electrician.

## ⚠ WARNING

To avoid possible electrical shock, be sure electricity is turned off at the main fuse box before wiring.  
**NOTE: If you are not sure if the outlet box is grounded, contact a licensed electrician for advice, as it must be grounded for safe operation.**

- 4. Connect the green grounding lead from the fan motor to the supply grounding conductor (this may be a bare wire or wire with green colored insulation). Securely connect wires with wire connectors supplied. Securely connect the white fan motor wire to the white supply (neutral) wire using wire connector supplied. Securely connect the black fan motor wire to the black supply wire using wire connector supplied. The red wire from supply with a connector (not included). (Figure 3)

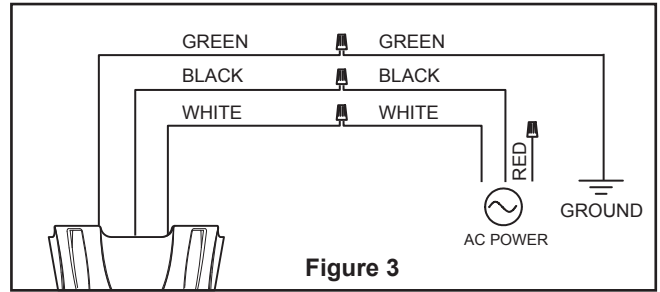
- 5. Mount retainer to outlet box with screws (provided with your outlet box). (Figure 4)
- 6. Loosen strain relief and pull excess lead wires through canopy. Re-tighten strain relief.
- 7. Cut and strip lead wires.

- 8. After connections have been made, turn leads upward and carefully push leads into the outlet box, with the white and green leads on one side of the outlet box and the black lead on the other side of the outlet box. (Figure 5)
- 9. After the connections have been made, tighten the lag bolts to secure fan base assembly to the ceiling, making sure that the electrical wires are completely inside the base assembly and not pinched between the base and the ceiling.

## ⚠ WARNING

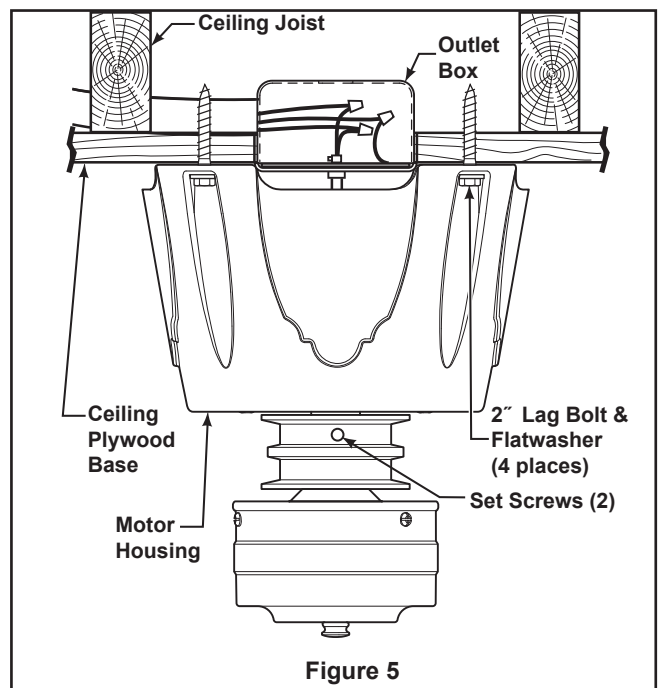
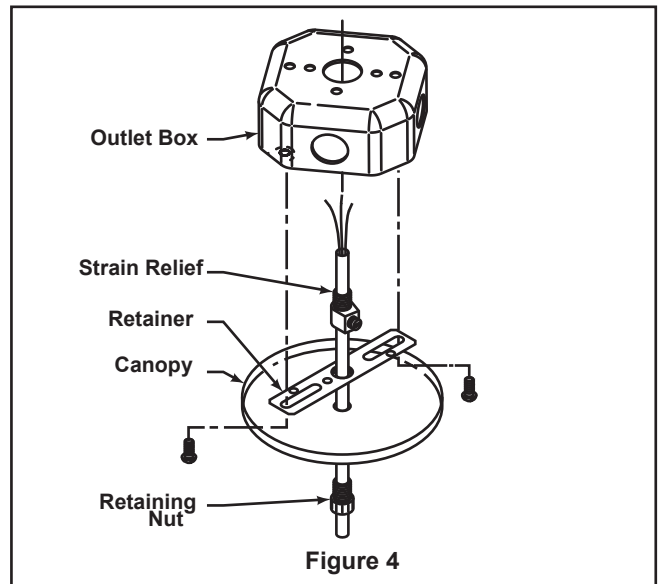
Check to see that all connections are tight. To avoid possible electrical shock, make sure that the electrical wires are completely inside the base housing and not pinched between the base and the ceiling.

- 10. If the motor pulley is loose, please tighten the set screws only. Do not try to adjust the motor pulley's location. (Figure 5)



### HARDWARE USED:

WIRE CONNECTORS  x 3



# Belt Splicing Instructions

1. Wrap the belting around the two pulleys that will be connected and overlap the belting as shown. Use the spring clamps provided to hold the belting in place temporarily. With the clamps remaining in the same place, grasp both ends of the belting and pull tight. The clamps should hold the belting together after releasing the belt. (Figure 1)
2. Punch two holes (approximately 1/8 inch in diameter) through the overlapping belts, spacing them one inch apart with the punch tool supplied. (Figure 2)
3. Using the rivets, rivet washers, and the rivet tool provided, install two rivets. The fl at head of the rivet must be on the inside of the belt (the side touching the pulley), while the rivet washer is placed on the outside of the belt. (Figures 3, 4, & 5)
4. Trim the excess belting as shown. The overlap should be approximately one to two inches in length. (Figures 6 & 7)

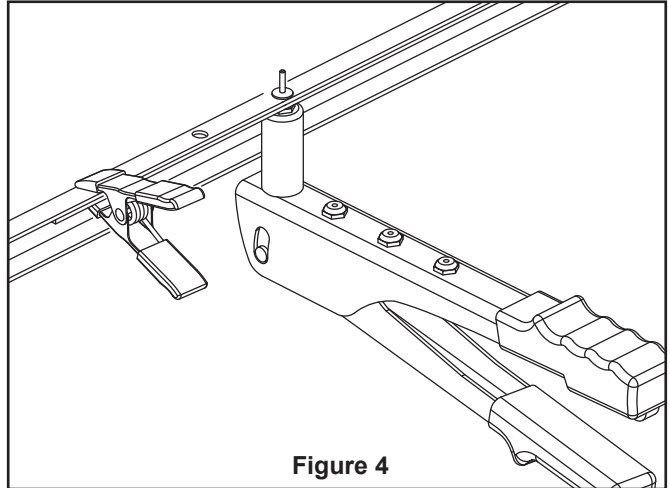


Figure 4

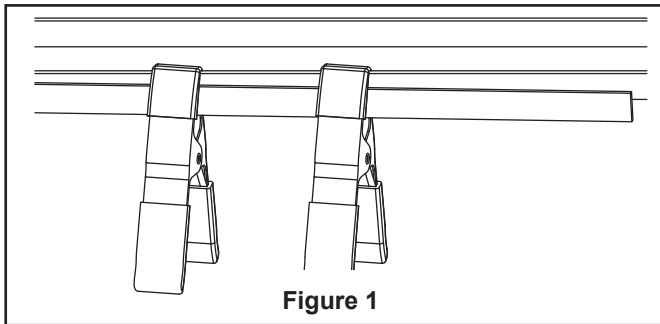


Figure 1

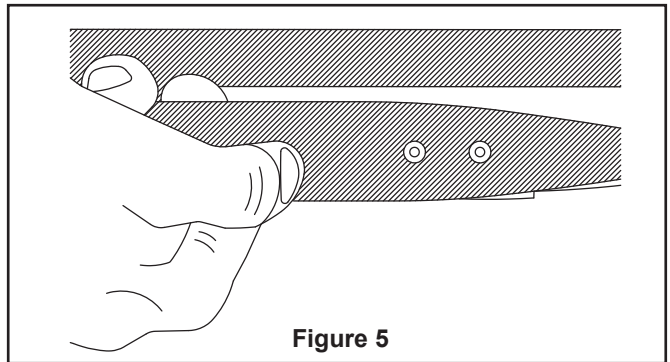


Figure 5

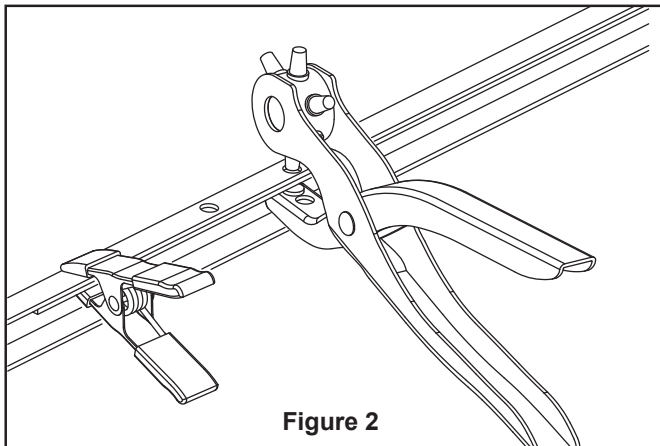


Figure 2

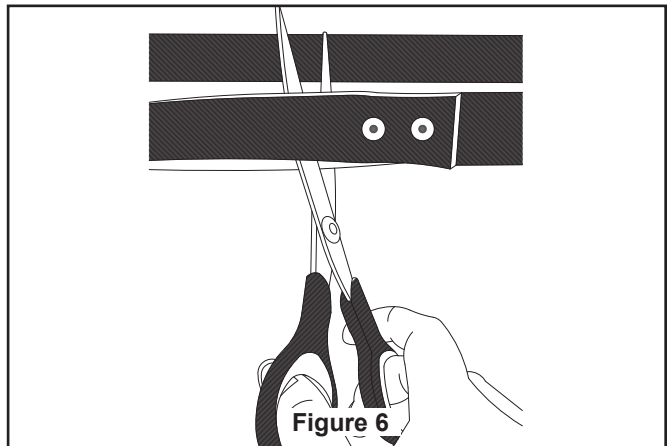


Figure 6

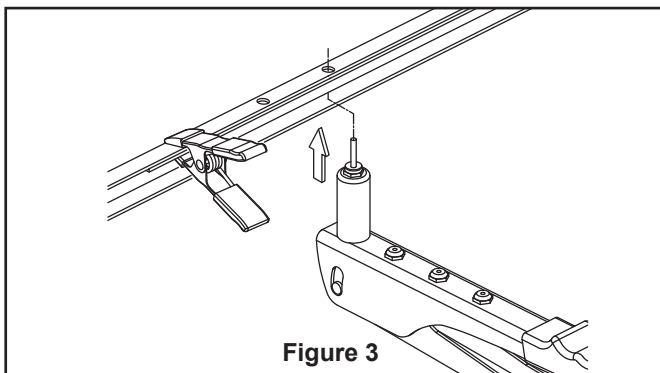


Figure 3

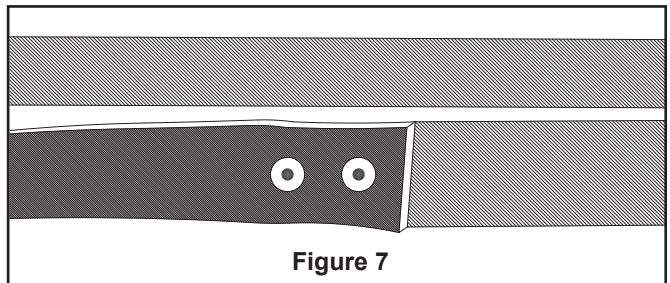


Figure 7

# Mounting the Fan Blades

## CAUTION

Do not connect fan blades until the fan is completely installed. Hanging fan with blades connected may result in damage to the fan blades.

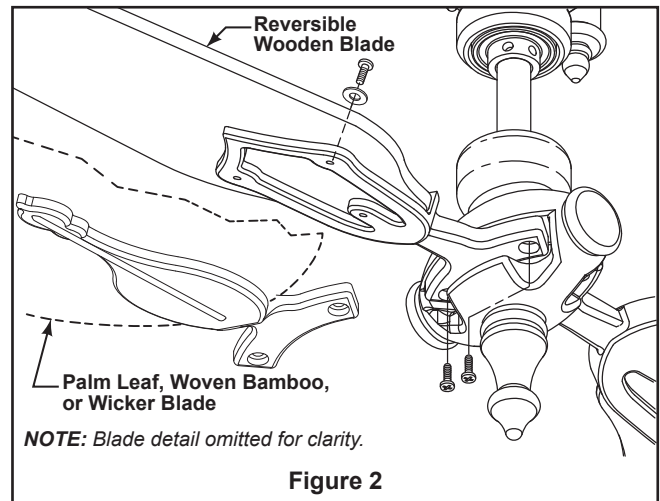
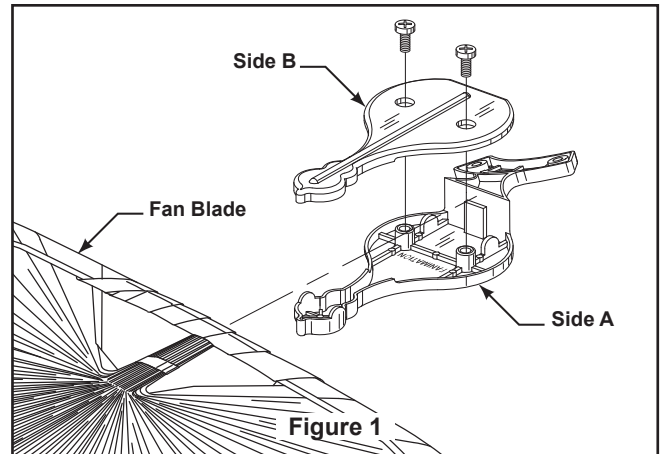
### Natural Palm Leaf, Woven Bamboo, Woven Wicker Blades

1. Lay side "A" of the blade holder on a flat surface with the inside of the blade holder facing up. This is the side with the threaded posts and pitched foot (Figure 1).
2. Position the palm leaf, or the woven bamboo or wicker blade over the blade holder with the threaded posts showing. Make sure the bottom edge of the blade is fully seated against the blade holder.
3. Place side "B" of the blade holder on top of the blade, positioning the holes over the threaded posts.
4. With a Phillips screwdriver, thread both screws into the posts but do not fully tighten.
5. Prior to final tightening, position the center line of the blade holder with the center of the end of the blade.
6. Tighten both screws to secure the blade (Figure 1).

### Standard Reversible Wooden Blades

1. Mount the wooden blades on the blade holder with three screws and three fiber washers .
2. Then mount the assembled blade/blade holder onto the flywheel, secure with flywheel screws. (Figure 2)

**NOTE:** Optional Wood Blade Holders (BH20 series) and B4000 wood blades are available for this assembly. Not for Damp Location usage.



# Operating Instructions-Remote Control

1. **IMPORTANT:** Using a full range dimmer switch (not included) to control fan speed will damage the fan. To reduce the risk of fire or electrical shock, do not use a full range dimmer switch to control the fan speed. (Figure 1)

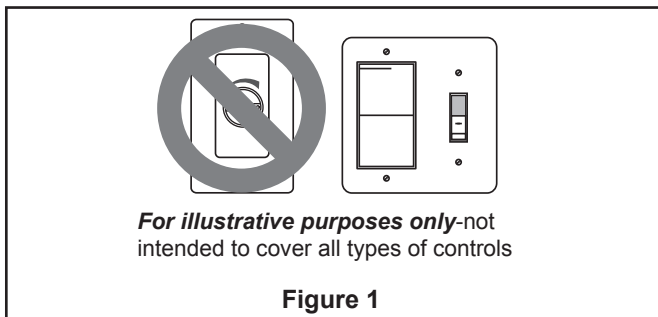


Figure 1

2. Restore electrical power to the outlet box by turning the electricity on at the main fuse box. (Figure 2)

**WARNING**

Check to see that all connections are tight, including ground, and that no bare wire is visible at the wire connectors, except for the ground wire. Do not operate fan until the blades are in place. Noise and fan damage could result.

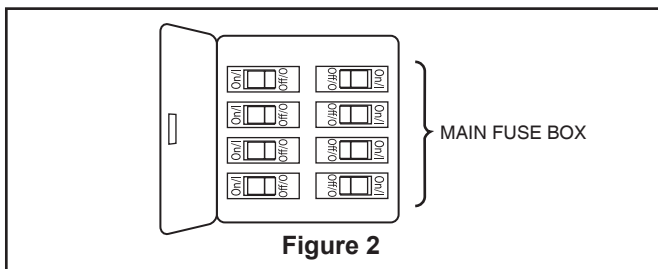


Figure 2

**WARNING**

controller or dimmer switch. Doing so could result in damage to the ceiling fan's remote control unit.

3. Remove battery cover with a small screwdriver or ball point pen firmly press the tab and slide battery cover off. (Figure 3)

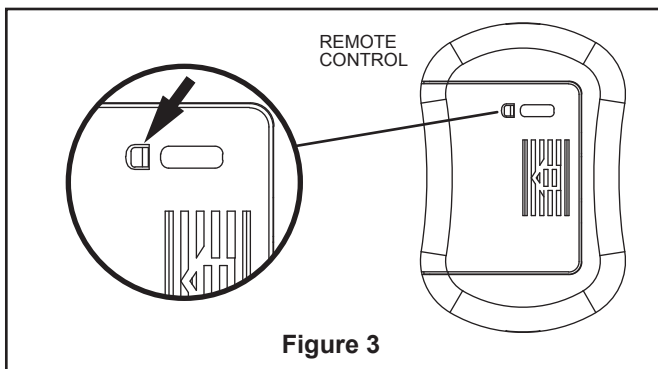


Figure 3

4. Operating & Using Hand-held Remote (Figure 4): Install two piece of 3 volt battery (If not using for long periods of time, remove battery to prevent damage to store hand-held remote). the hand-held remote away from excess heat or humidity.

- HI Push Button – high fan speed
- MED Push Button – medium fan speed
- LOW Push Button – low fan speed
- REV Push Button – toggles airflow direction
- ⏻ Push Button – fan off
- Light Push Button – on/off, hold for infinite light level

**WARNING**

**Chemical Burn Hazard. Keep batteries away from children.**

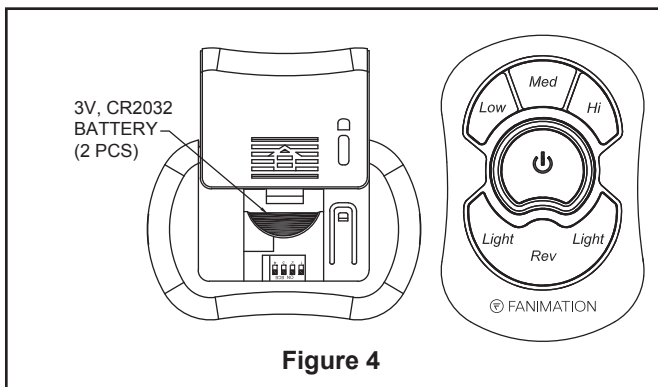


Figure 4

5. Replace battery cover on remote control. Be sure the hole of battery cover firmly into the tab. (Figure 5)

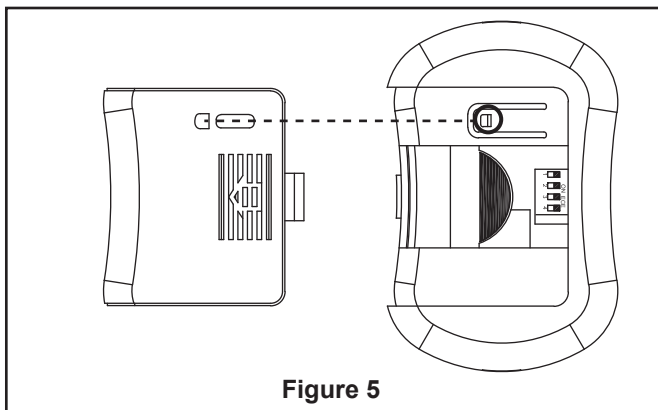
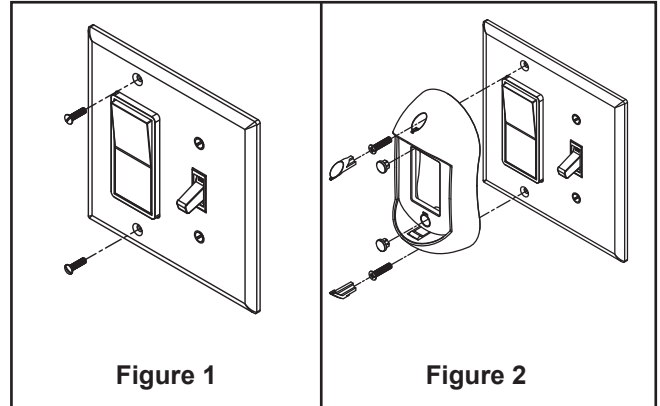


Figure 5

---

## How to Install Your Remote Control (Option #1)

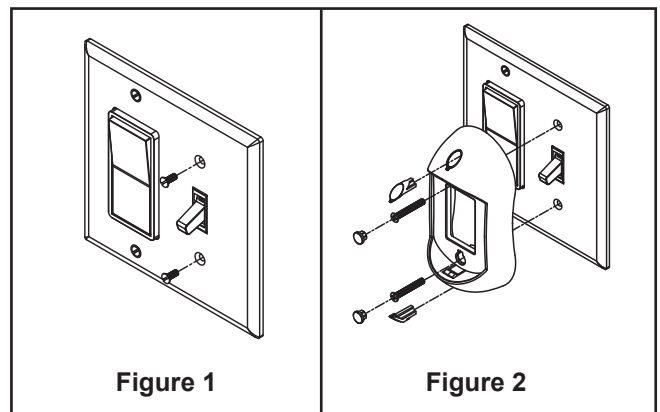
- 1. Unthread two screws from the wall switch plate. (Figure 1)
- 2. Install the control bracket with two #6-32x 3/4" screws. And push the four plastic plug to cover the screw holes. (Included in the control packaging). (Figure 2)



---

## How to Install Your Remote Control (Option #2)

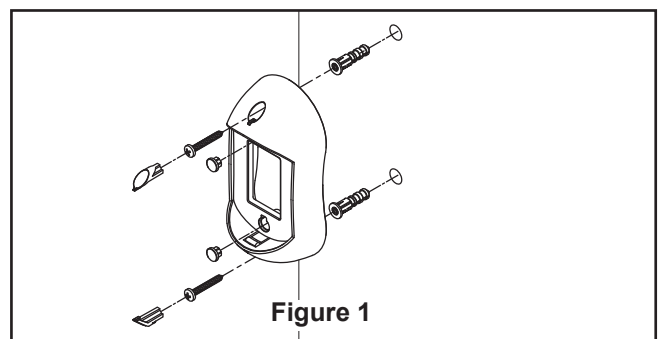
- 1. Unthread two screws from the wall switch plate. (Figure 1)
- 2. Install the control bracket with two #6-32x 1" screws. And push the four plastic plug to cover the screw holes. (Included in the control packaging). (Figure 2)



---

## How to Install Your Remote Control (Option #3)

- 1. Drill the two 1/4" holes in wall and use the M6 plastic anchor pushed into the holes. Install the control bracket with two #3- 1" self tap screws. Push the four plastic plug to cover the screw holes. (Including in the control packaging). (Figure 1)



## Maintenance

Periodic cleaning of your new ceiling fan is the only maintenance that is needed. When cleaning, use only a soft brush or lint free cloth to avoid scratching the finish. Abrasive and/or non-abrasive cleaning agents are not required and should be avoided to prevent damage to finish.

### CAUTION

Do not use water when cleaning your ceiling fan. It could damage the motor or the blades and create the possibility of electrical shock.

## Blade Cleaning

Periodic light dusting of the Palm Leaf, Woven Bamboo, Wooden, or Wicker blades is recommended. A feather duster will work best.

Avoid using water, cleansers, or harsh rags, which can warp and ruin the blades.

## Troubleshooting

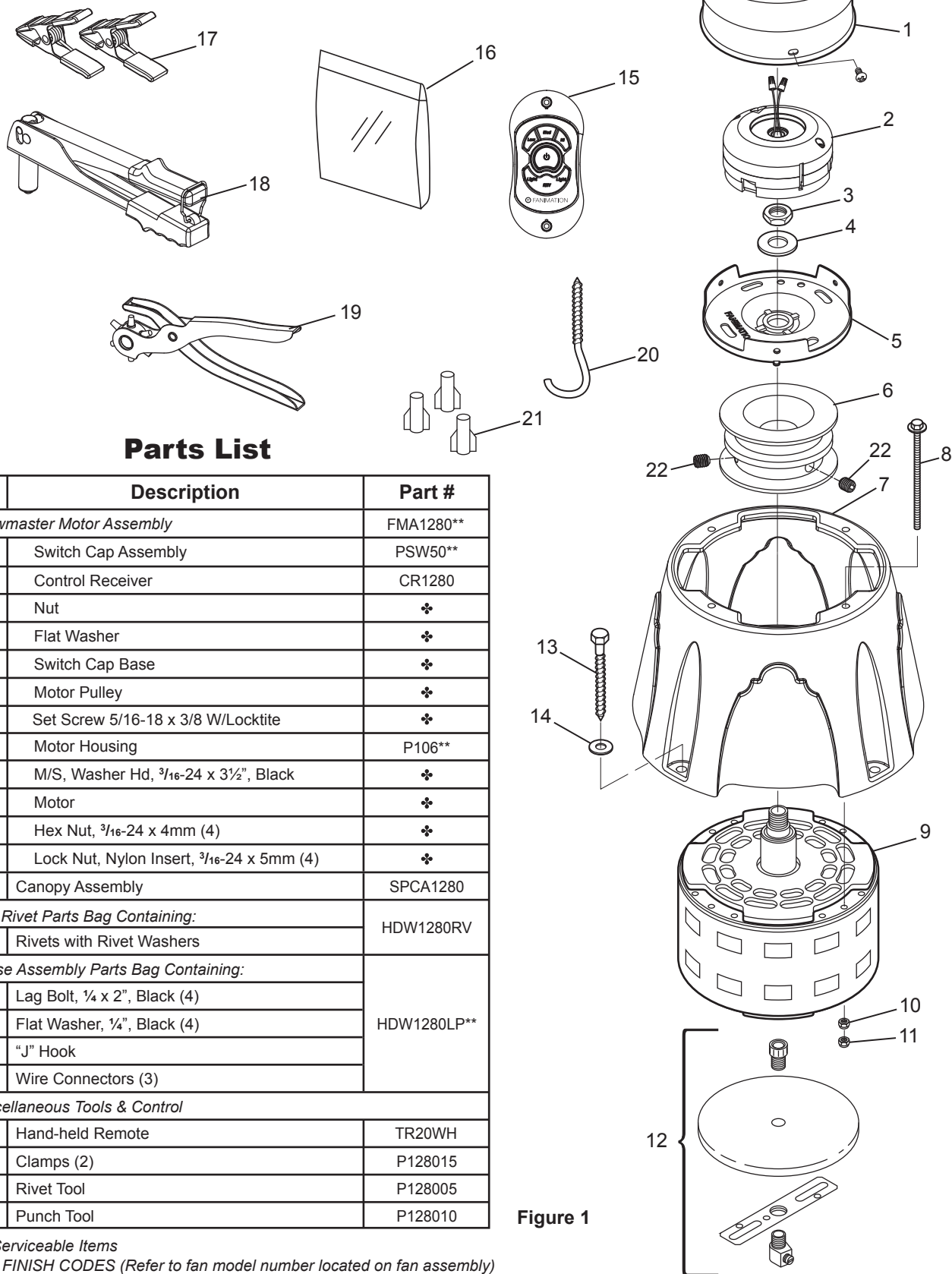
### ⚠ WARNING

For your own safety turn off power at fuse box or circuit breaker before trouble shooting your fan.

Trouble	Probable Cause	Suggested Remedy
<b>1. FAN WILL NOT START</b>	<ol style="list-style-type: none"> <li>1. Fuse or circuit breaker blown.</li> <li>2. Loose power line connections to the fan, or loose switch wire connections in the switch housing.</li> <li>3. Dead battery in remote control.</li> <li>4. Control receiver frequency switches not set.</li> </ol>	<ol style="list-style-type: none"> <li>1. Check main and branch circuit fuses or circuit breakers.</li> <li>2. Check line wire connections to fan and switch wire connections in the switch housings.</li> </ol> <p><b>CAUTION: Make sure main power is turned off !</b></p> <ol style="list-style-type: none"> <li>3. Replace with fresh battery.</li> <li>4. Make sure hand-held remote and receiver frequency switches match.</li> </ol>
<b>2. FAN SOUNDS NOISY</b>	<ol style="list-style-type: none"> <li>1. Loose screws in motor housing.</li> <li>2. Screws securing fan blade are loose.</li> <li>3. Motor noise caused by solid state variable speed control.</li> <li>4. Pulley set screw loose.</li> <li>5. Rivets (on belt) make clicking sound.</li> </ol>	<ol style="list-style-type: none"> <li>1. Check to make sure all screws in motor housing are snug (not over-tight).</li> <li>2. Check to make sure the screws which attach the fan blade to the are tight.</li> <li>3. Some fan motors are sensitive to signals from solid-state variable speed controls. Solid-state controls are not recommended, choose an alternative control method.</li> </ol> <p><b>CAUTION: Make sure main power is turned off !</b></p> <ol style="list-style-type: none"> <li>4. Tighten set screw securely.</li> <li>5. Not considered a defect.</li> </ol>
<b>3. FAN WOBBLER EXCESSIVELY</b>	<ol style="list-style-type: none"> <li>1. Fan / Motor base lag bolts on the ceiling is loose.</li> <li>2. Blade holders not seated properly.</li> </ol>	<ol style="list-style-type: none"> <li>1. Tighten lag bolts securely.</li> <li>2. Check to be sure the fan blade holders seat firmly and uniformly to the surface of the hub. If holders are seated incorrectly, loosen the screws retighten.</li> </ol>
<b>4. REMOTE CONTROL DOES NOT WORK. THE CONTROL INDICATOR LED IS CONSTANTLY FLASHING.</b>	<ol style="list-style-type: none"> <li>1. The battery/batteries are going to run out.</li> </ol>	<ol style="list-style-type: none"> <li>1. Please replace the battery/batteries.</li> </ol>

# The Brewmaster® Motor FP1280\*\*

## Exploded-View Drawing



### Parts List

Ref. #	Description	Part #
<i>Brewmaster Motor Assembly</i>		FMA1280**
1	Switch Cap Assembly	PSW50**
2	Control Receiver	CR1280
3	Nut	❖
4	Flat Washer	❖
5	Switch Cap Base	❖
6	Motor Pulley	❖
22	Set Screw 5/16-18 x 3/8 W/Locktite	❖
7	Motor Housing	P106**
8	M/S, Washer Hd, 3/16-24 x 3 1/2", Black	❖
9	Motor	❖
10	Hex Nut, 3/16-24 x 4mm (4)	❖
11	Lock Nut, Nylon Insert, 3/16-24 x 5mm (4)	❖
12	Canopy Assembly	SPCA1280
<i>Belt Rivet Parts Bag Containing:</i>		HDW1280RV
16	Rivets with Rivet Washers	
<i>Loose Assembly Parts Bag Containing:</i>		HDW1280LP**
13	Lag Bolt, 1/4 x 2", Black (4)	
14	Flat Washer, 1/4", Black (4)	
20	"J" Hook	
21	Wire Connectors (3)	
<i>Miscellaneous Tools &amp; Control</i>		
15	Hand-held Remote	TR20WH
17	Clamps (2)	P128015
18	Rivet Tool	P128005
19	Punch Tool	P128010

❖ Non-Serviceable Items

\* Insert FINISH CODES (Refer to fan model number located on fan assembly)

**NOTE:** The illustration shown is not to scale or its actual configuration may vary. Wires partially removed for clarity.

Figure 1

# Parts List

Ref. #	Description	Part #
	<i>Pulley Assembly</i>	FP10**/FP20**
1	Pulley with set screw	❖
2a	Short Frame (Short model)	❖
2b	Long Frame (Long model)	❖
3	Cushion, Bearing, Black	❖
4	Bearing	❖
5	Shaft	❖
6	Hub	❖
7	Blade Holder (2) (Wooden Blades only)	P1212**
8	Bag, BH to Hub Screws, 10-32 x 1/2", Black (5)	HDWFP10HB**
9	Bag, Lag Bolt, 1/4" x 2", Black, w/washers (4)	HDWFP10LG
10	Bag, Wood Blade Screw, 3/16"-24 x 1/2", Black (7), w/Fiber Washers (7)	HDWFP10WB**
11	Bag, Trad. Blade Screw, 3/16"-24 x 3/8", Black (5)	HDWFP10TB**
12	Blade Arm Cover (2)	P3220**
13	Trad. Blade Holder (2) (Palm, Bamboo, Wicker)	P3210**
14	Belt (one 30 ft roll)	BM30

❖ *Non-Sevicable Items*

\*\* Insert FINISH CODES (Refer to fan model number located on downrod support)

**Before discarding packaging material, be certain all parts have been removed.**

## HOW TO ORDER REPAIR PARTS

When ordering repair parts, always give the following information:

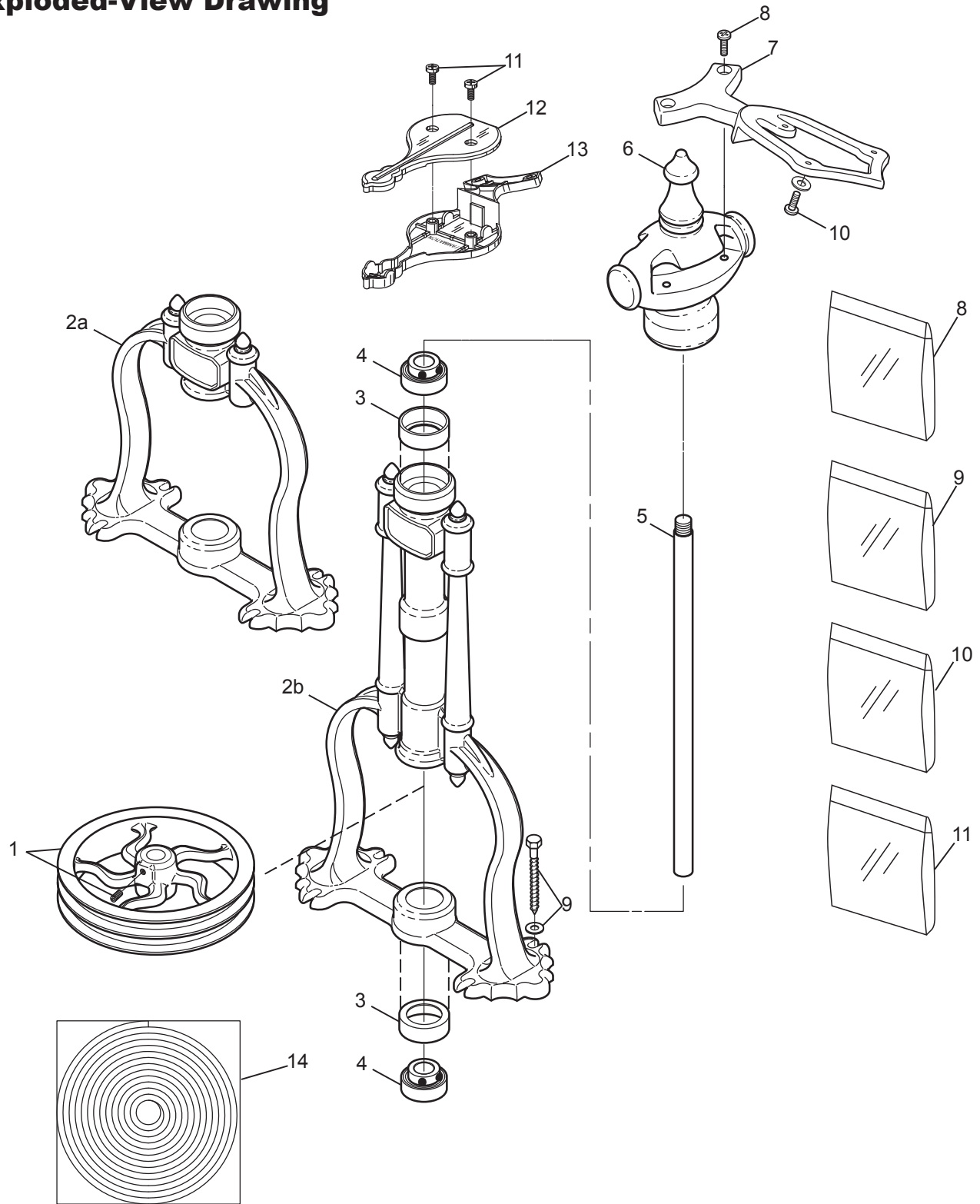
- Fan Model Number
- Part Number
- Part Description
- Date Code

Contact [techsupport@fanimation.com](mailto:techsupport@fanimation.com) or call 1.888.567.2055 for repair parts.



# The Brewmaster® Pulley Assembly Pack FP10\_\_ (Short) / FP20\_\_ (Long)

## Exploded-View Drawing



**NOTE:** The illustration shown is not to scale or its actual configuration may vary.

**Figure 2**



10983 Bennett Parkway  
Zionsville, IN 46077  
Phone: 888-567-2055  
Outside U.S.: 317-733-4113  
FAX: 866-482-5215  
FANIMATION.COM

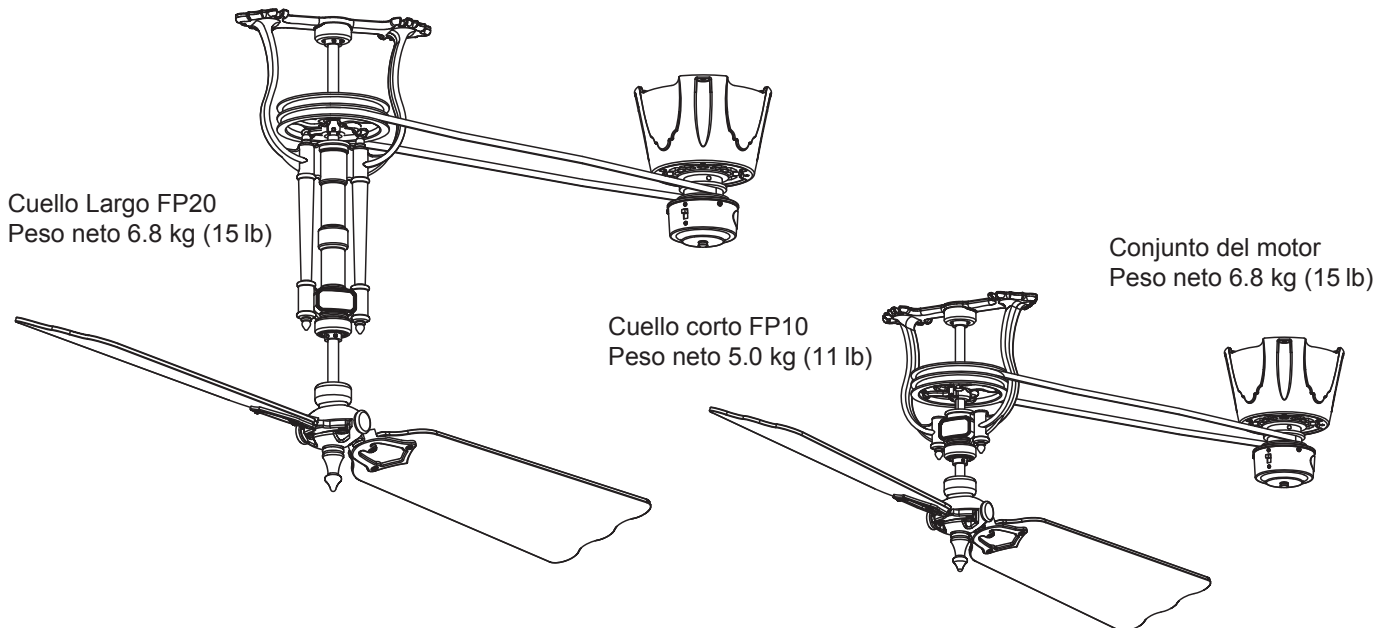
2021/05 V.01  
Copyright 2021 Fanimation



**FANIMATION**<sup>®</sup>  
SHOWROOM COLLECTION

# VENTILADORES DE TECHO CON IMPULSION DE CORREA BREWMASTER<sup>®</sup>

MODELO #FP1280\*\*



**ADJUNTE SU RECIBO AQUÍ Y REGISTRE SU VENTILADOR EN FANIMATION.COM  
LEA Y GUARDE ESTAS INSTRUCCIONES**

**Código de fecha** \_\_\_\_\_ **Fecha de compra** \_\_\_\_\_

Para ofrecer un servicio rápido y de calidad, por favor suministre el código de fecha. Puede encontrar el código de fecha en el paquete, en el mando a distancia (dentro del compartimento de las pilas), marco del ventilador o en la carcasa del motor.



**Preguntas, problemas, piezas faltantes?** Antes de volver a la tienda, llame a nuestro Departamento de Servicio al Cliente al 1-888-567-2055, 8 a.m. - 5 pm, hora del Este, de lunes - viernes.

# Instrucciones de seguridad importantes

## **ADVERTENCIA: Siga estas instrucciones para prevenir incendios, descargas eléctricas y lesiones personales graves.**

1. Lea el manual del propietario y la información de seguridad antes de instalar su nuevo ventilador. Observe los diagramas de ensamblaje adjuntos.
2. Antes de llevar a cabo el mantenimiento o la limpieza de la unidad, desconecte la electricidad en el panel de servicio y bloquee los medios de desconexión del mismo para evitar que se active accidentalmente. Si no se pueden bloquear los medios de desconexión del servicio, coloque un dispositivo de advertencia, como una etiqueta, en el panel de servicio.
3. Tenga cuidado con la estructura y las aspas del ventilador cuando limpie, pinte o trabaje cerca del mismo. Desconecte siempre la electricidad del ventilador de techo antes de llevar a cabo el mantenimiento.
4. No coloque nada en las aspas del ventilador cuando éste se encuentra en funcionamiento.
5. No accione el conmutador inversor hasta que las aspas del ventilador se hayan detenido por completo.

## **Instrucciones de seguridad adicionales**

1. Para evitar posibles descargas eléctricas, asegúrese de que la electricidad esté desconectada en la caja de fusibles antes de realizar la instalación eléctrica, y no haga funcionar el ventilador sin las aspas.
2. Todos los procedimientos de conexión eléctrica e instalación deben cumplir con los Códigos eléctricos nacionales (ANSI/NFPA 70) y Códigos locales. El ventilador de techo debe estar conectado a tierra a fin de prevenir posibles descargas eléctricas. La instalación eléctrica debe ser llevada a cabo o aprobada por un electricista autorizado.
3. La base del ventilador debe estar adecuadamente instalada y sea capaz de soportar de forma fiable al menos 100 libras (el ventilador y los accesorios no exceden las 35 libras). Las cajas de electricidad no son adecuadas para el soporte del ventilador. Consulte la página 24 del manual del propietario para ver los requisitos de soporte. Consulte un electricista cualificado si tuviera alguna duda.
4. **PRECAUCIÓN:** Para reducir el riesgo de daños personales, instale la base del ventilador en una viga o parte de la estructura utilizando el equipo suministrado con su ventilador.

**ADVERTENCIA:** Soporte directo desde la estructura del edificio.

**ADVERTENCIA:** El ventilador no se puede instalar en un techo inclinado.

5. Las aspas del ventilador deben instalarse por lo menos a 2 m (7 pies) del suelo, a fin de evitar un contacto accidental con las mismas.
6. Siga las recomendaciones sobre el método correcto de instalación eléctrica de su ventilador de techo. Si no posee la experiencia o los conocimientos eléctricos adecuados, contrate a un electricista autorizado para instalar el ventilador.
7. Apto para usar con controles de velocidad de estado sólido.
8. En lo que respecta a las conexiones de suministro, si el conductor del ventilador está identificado como conductor con conexión a tierra, se le debe conectar a un suministro de electricidad con conductor de puesta a tierra. Si el conductor del ventilador está identificado como conductor que no es de puesta a tierra, se le debe conectar a un suministro de electricidad con conductor sin puesta a tierra. Si el conductor del ventilador está identificado para equipos de puesta a tierra, se le debe conectar al conductor de equipos de puesta a tierra.
9. El mando a distancia de este producto contiene una pila de botón/pila de litio. Si la pila de botón/plana de litio nueva o usada se ingiere o entrase en el cuerpo humano, puede causar severas quemaduras internas y puede causar la muerte en tan solo 2 horas. Asegure siempre por completo el compartimento de la pila. Si el compartimento de la pila no está cerrado de forma segura, deje de utilizar el mando a distancia del producto, extraiga las pilas y manténgalo alejado del alcance de los niños. Si piensa que las pilas pueden haber sido tragadas o colocadas dentro de cualquier parte del cuerpo humano, busque asistencia médica inmediatamente.
  - Las pilas planas deben ser desechadas adecuadamente, y siempre debe estar fuera del alcance de los niños.
  - Las pilas planas también pueden causar heridas.

**ADVERTENCIA:** Peligro de quemadura química. Mantenga las pilas lejos del alcance de los niños.

**ADVERTENCIA:** Para reducir el riesgo de incendios o descargas eléctricas, este ventilador solo debería ser utilizado con la pieza de control de velocidad del ventilador N° UC7067RY fabricada por Rhine Electronic Co., Ltd.

**ADVERTENCIA:** Para reducir el riesgo de descargas eléctricas, este ventilador se debe instalar con un control/interruptor de pared aislado.

**ADVERTENCIA:** Este producto está diseñado para ser usado sólo con las piezas suministradas o los accesorios indicados específicamente para el mismo. Si utiliza piezas o accesorios que no están indicados para su uso con este producto, podría sufrir lesiones personales o dañar el ventilador. **ADVERTENCIA:** Este producto está diseñado para ser usado sólo con las piezas suministradas o los accesorios indicados específicamente para el mismo. Si utiliza piezas o accesorios que no están indicados para su uso con este producto, podría sufrir lesiones personales o dañar el ventilador.

**ADVERTENCIA:** No utilice este ventilador con un controlador variable de pared (Rheostat) o un regulador de intensidad. Si lo hiciera podría dañar la unidad del mando a distancia del ventilador de techo.

**ADVERTENCIA:** Para reducir el riesgo de lesiones personales, no doble los soportes de las aspas (borde o soporte de aspas) al instalar los soportes, balancear las aspas o limpiar el ventilador. No coloque objetos extraños entre las aspas del ventilador en funcionamiento.

**ADVERTENCIA:** Monte a una caja de salida aceptable para apoyo de los aficionados.

(1) Este equipo no causará interferencias perjudiciales y (2) este equipo tolerará cualquier interferencia recibida, incluidas las interferencias que puedan provocar un funcionamiento no deseado. Si el radiador intencional puede ser clasificado como un dispositivo digital de clase B o un periférico del ordenador, entonces se deberán incluir los siguientes o equivalentes:

Nota: Tras someterlo a las pruebas correspondientes, se ha determinado que este equipo cumple con los límites establecidos para dispositivos digitales de Clase B de conformidad con la parte 15 de la Normativa FCC. Estos límites se han establecido con el objetivo de aportar una protección razonable contra interferencias perjudiciales cuando el equipo se utiliza en el hogar. Este equipo genera, utiliza y puede emitir energía de radiofrecuencia y, a menos que se instale y se utilice de acuerdo con el manual de instrucciones, puede provocar interferencias perjudiciales en las comunicaciones por radio y televisión. Si el equipo produce interferencias perjudiciales en la recepción de radio o televisión, lo cual puede probarse encendiendo y apagando el equipo, se recomienda al usuario corregir dichas interferencias tomando una o varias de las siguientes medidas:

- Modificar la orientación o ubicación de la antena de recepción;
- Aumentar la separación entre el equipo y el receptor;
- Conectar el equipo a una toma de corriente o circuito diferente al del receptor;

Consulte al distribuidor o a un técnico especialista de radio o TV para obtener más ayuda.

Nota: Para un dispositivo digital de clase A, la declaración de 15. 105(a) debe ser incluida cuando sea apropiada para el dispositivo en cuestión.

# GARANTÍA LIMITADA DE POR VIDA

**Se extiende al comprador original del ventilador Fanimation solo desde un distribuidor/minorista autorizado de Fanimation**

1. GARANTÍA LIMITADA DE POR VIDA DEL MOTOR - Si se produjera una falla en alguna de 1. las partes del motor de su ventilador debido a un defecto en los materiales o en la fabricación durante el tiempo de vida del comprador original, Fanimation proporcionará la pieza de repuesto sin cargo una vez que el ventilador defectuoso sea devuelto a nuestro centro de servicios nacional. Se requiere comprobante de venta. El cliente se hará responsable de todos los gastos de remoción o reinstalación y envío del producto para reparaciones o sustitución.
2. GARANTÍA DE MANO DE OBRA DEL MOTOR POR UN AÑO - Si el motor de su ventilador fallara antes de cumplirse un año a partir del momento de su compra original debido a defectos en los materiales o en la fabricación, se le efectuará la reparación del mismo sin cargo en nuestro centro de servicios nacional. El comprador se hará responsable de los gastos de mano de obra luego del período de un año. El cliente se hará responsable de todos los gastos de remoción o reinstalación y envío del producto para reparaciones o sustitución.
3. Si otra pieza del ventilador fallara dentro del período de un año a partir de la fecha de compra original debido a un defecto en los materiales o en la fabricación, repararemos o sustituiremos, según creamos conveniente, la pieza defectuosa sin cargo alguno en nuestro centro de servicios nacional.
4. Debido a las diversas condiciones climáticas, esta garantía no cubre cambios en la terminación, incluidos oxidación, corrosión, falta de brillo o peladuras.
5. Esta garantía es nula y no se aplica a daños por instalación incorrecta, negligencia, accidentes, uso indebido, exposición al calor o a la humedad en exceso, o como resultado de cualquier modificación realizada al producto original.
6. Todos los gastos de remoción y reinstalación del ventilador son responsabilidad exclusiva del propietario, y no de la tienda que vendió el ventilador ni de Fanimation.
7. Fanimation se reserva el derecho de modificar o discontinuar un producto en cualquier momento, o sustituir cualquier pieza según lo establecido por esta garantía.
8. En ningún caso se podrá devolver un ventilador sin previa autorización por parte de Fanimation. Las devoluciones autorizadas deberán ir acompañadas del recibo de venta y deberán enviarse a Fanimation, previo pago del flete. El ventilador que se devuelva deberá estar embalado en forma adecuada a fin de evitar daños durante el transporte. Fanimation no se hará responsable de los daños que resulten del embalaje incorrecto del producto.
9. Se entiende que las reparaciones y las sustituciones son el único recurso disponible de Fanimation. No existe ninguna otra garantía expresa o implícita. Por la presente, Fanimation niega todas las garantías implícitas, que incluyen, entre otras, la comerciabilidad y la aptitud para determinado fin hasta donde la ley lo permita. Algunos estados no permiten limitaciones sobre las garantías implícitas. Fanimation no se hará responsable por daños accidentales, resultantes o especiales derivados del uso o el rendimiento del producto o en conjunción con éste, excepto en los casos en los que la ley así lo disponga. Esta garantía le otorga derechos legales especiales y es posible que también goce de otros derechos que pueden variar según el estado.
10. Es normal que se produzca un cierto movimiento oscilante y esto no debe considerarse un problema o defecto.

## Tabla de contenidos

Unidad del motor-Instrucciones de desembalaje e identificación de las piezas . . . . .	22	Instrucciones de funcionamiento-Control remoto de mano.30	
Unidad de la polea-Instrucciones de desembalaje e identificación de las piezas . . . . .	23	Cómo instalar su mando a distancia . . . . .	31
Requisitos eléctricos y estructurales . . . . .	24	Mantenimiento . . . . .	32
Opciones de iluminación. . . . .	24	Limpieza de las aspas . . . . .	32
Cómo configurar del receptor a distancia . . . . .	25	Solución de problemas . . . . .	32
Cómo configurar el mando a distancia . . . . .	25	Ilustración del despiece . . . . .	33
Instalación y cableado del ventilador de techo . . . . .	26	Lista de piezas, unidad de la polea. . . . .	34
Instrucciones del ensamblaje de la correa. . . . .	28	Plano de despiece, unidad de la polea. . . . .	35
Montaje de las palas del ventilador. . . . .	29		

# Este manual está diseñado para facilitar al máximo el ensamblaje, la instalación, el funcionamiento y el mantenimiento de su ventilador de techo.

## Herramientas necesarias para el ensamblaje (No incluido)

- Destornillador Phillips
- Escalera de tijera
- Pelacables
- Destornillador de 1/4"

## Materiales

La caja de distribución eléctrica y los conectores de la caja deben ser del tipo requerido por el código local. El cable más pequeño debe ser un cable de tres conductores (de dos conductores con conexión a tierra) del siguiente tamaño:

longitud del cable instalado	tamaño del cable según el A.W.G. (Calibre de Alambre Estadounidense)
hasta 15,2 m (50 pies)	14
de 15,2 a 30,5 m (50 a 100 pies)	12

**NOTA:** coloque las piezas de las bolsas de piezas individuales en un contenedor pequeño para evitar que se extravíen. Si faltan piezas, póngase en contacto con su proveedor local.

### ⚠ ADVERTENCIA

Antes de ensamblar el ventilador de techo, consulte la sección sobre el método correcto de instalación eléctrica del ventilador (página 26). Si siente que no posee la experiencia o los conocimientos eléctricos necesarios, contrate a un electricista autorizado para instalar el ventilador.

## Unidad del motor-Instrucciones de desembalaje e identificación de las piezas

Para su comodidad, marque cada uno de los pasos. A medida que completa cada paso, coloque una marca de verificación. Con esto se asegurará de completar todos los pasos y podrá saber desde dónde retomar si fuera interrumpido.

### ⚠ ADVERTENCIA

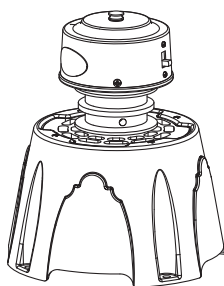
No instale ni utilice el ventilador si falta alguna pieza o si hay piezas dañadas. Este producto está diseñado para ser usado sólo con las piezas suministradas o los accesorios indicados por Fanimation específicamente para el mismo. La sustitución de piezas o accesorios no designados por Fanimation para usar con este producto podría ocasionar lesiones personales o daños en el ventilador. Póngase en contacto con su tienda si faltan piezas o hay piezas dañadas.

Verifique que haya recibido las siguientes piezas:

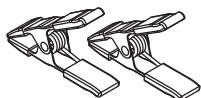
**NOTA:** Si no está seguro de la descripción de una pieza, consulte la ilustración del despiece. (Figura 1, página 33)

- Unidad del motor del ventilador con el receptor a distancia integrado y las piezas del equipo (Figura 1)
- Unidad del cabezal de la polea y piezas del equipo (Figura 2)

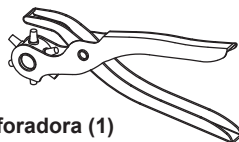
### Unidad del motor FP1280 e identificación de las piezas del equipo



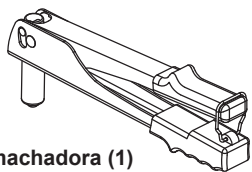
**FP1280**  
Unidad del motor con el receptor de la tapa del interruptor (1)



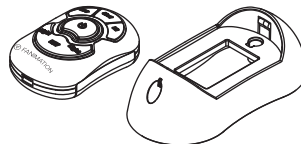
Pinzas de la correa (2)



Perforadora (1)



Remachadora (1)

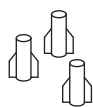


Mando a distancia (1)

- Soporte de control (1)
- Tapones de plástico (4)
- Tornillos autorroscantes #3- 1" (2)
- Tornillos #6-32 x 3/4" (2)
- Tornillos #6-32 x 1" (2)
- Tacos de plástico (2)
- Baterías (2)



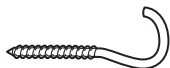
#### Bolsas de accesorios



Tuercas de cable (3)



Tirafondos de la unidad del motor, 1/4" x 2" (4) y arandelas planas, Ø5 x Ø14 x 1mm (4)



Tirafondo con forma de "J", 1/4" x 2" (1)



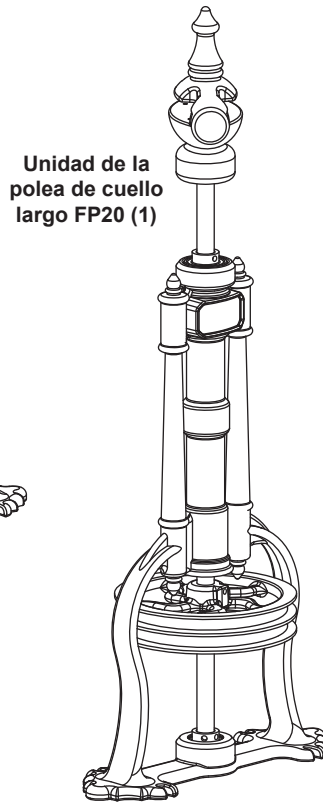
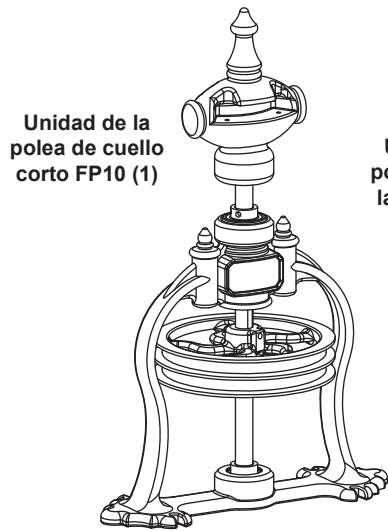
Remaches, 3/32" x 7/32" (8) y arandelas de los remaches, 0.1 x 0.23 x 0.35 mm (8)

**NOTA:** La ilustración que se muestra no está hecha a escala y su configuración real y/o terminación puede variar. Las piezas y el embalaje están sujetos a cambios sin previo aviso.

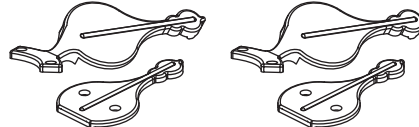
Figura 1

# Unidad de la polea-Instrucciones de desembalaje e identificación de las piezas

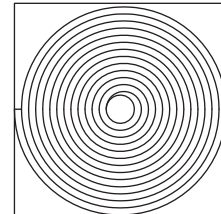
## Unidad de polea FP10 (Corta)/FP20 (Larga) e identificación de las piezas del equipo



Soportes de pala de madera (para su uso con los sets de palas FP1022, FP1026, FP1030) (2)

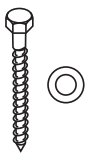


Soportes de pala tradicional (para uso en los sets de pala Palm, Bamboo y Wicker) (2)



Correa (1)

### Bolsas de accesorios



Tirafondos, 1/4 x 2" (4) y Arandelas planas, Ø5 x Ø14 x 1mm (4)



Tornillos de pala tradicional, 3/16"-24 x 3/8" (5)



Tornillos 10-32 x 1/2" (5) para los soportes de pala al centro



Tornillos de palas de madera 3/16"-24 x 1/2" (7) y Arandelas de fibra, Ø12.5 x Ø5 x 1 mm (7)

**NOTA:** La ilustración que se muestra no está hecha a escala y su configuración real y/o terminación puede variar.

Las piezas y el embalaje están sujetos a cambios sin previo aviso.

**Figura 2**

**NOTA:** la ilustración que se muestra no está hecha a escala y su configuración real puede variar. (Figura 2, página 35)

**NOTA:** Los soportes de pala de madera opcional (serie BH20) y las palas de madera B4000 están disponibles para esta unidad. No es apropiado para su uso en ubicaciones húmedas.

## Requisitos eléctricos y estructurales

Su nuevo ventilador de techo requiere una línea de suministro eléctrico con conexión a tierra de 120 voltios de CA, 60 Hz, circuito de 15 amperios.

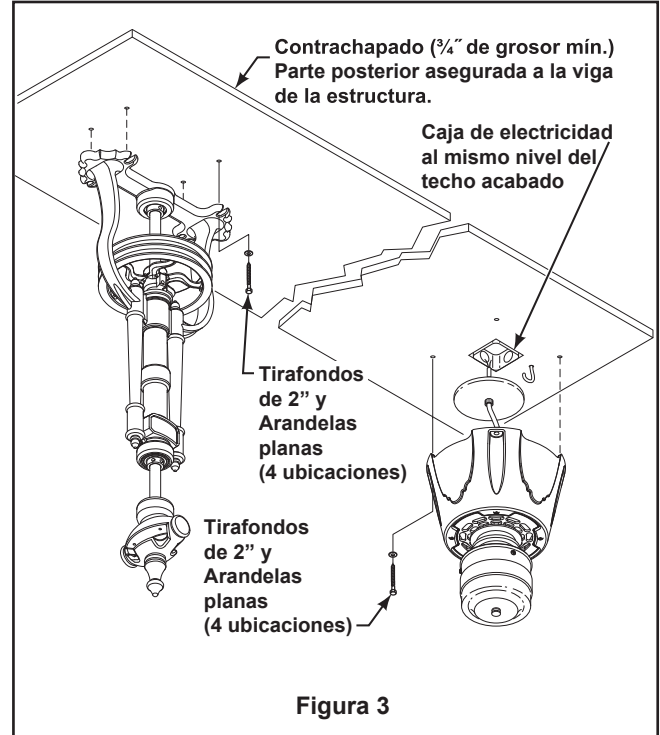
### NOTA LA INSTALACIÓN

*Se recomienda que cada ventilador y el motor tiene el respaldo de madera contrachapada de 3/4" asegurado a un elemento de la estructura de apoyo adecuada (Figura 3). A 120 VAC de alimentación eléctrica, centrado en la unidad de motor y por cable a una velocidad de 3 de control (incluido) se requiere. La unidad de motor no funcionará más de dos poleas / montajes de lámina*

Si el ventilador reemplazará a una lámpara existente, desconecte la electricidad de la caja de fusibles principal y retire la lámpara.

### ⚠ ADVERTENCIA

Apagar el interruptor de pared no es suficiente. Para evitar posibles descargas eléctricas, asegúrese de que la electricidad esté desconectada en la caja de fusibles principal antes de realizar la instalación eléctrica. Toda instalación eléctrica debe cumplir con los códigos nacionales y locales y el ventilador de techo debe tener la conexión a tierra adecuada como forma de precaución ante posibles descargas eléctricas.



## Opciones de iluminación

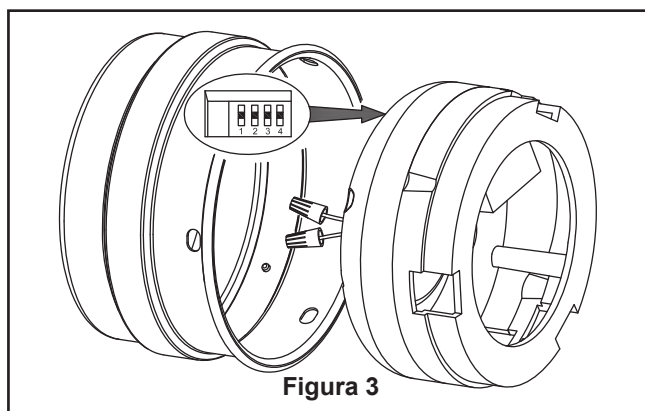
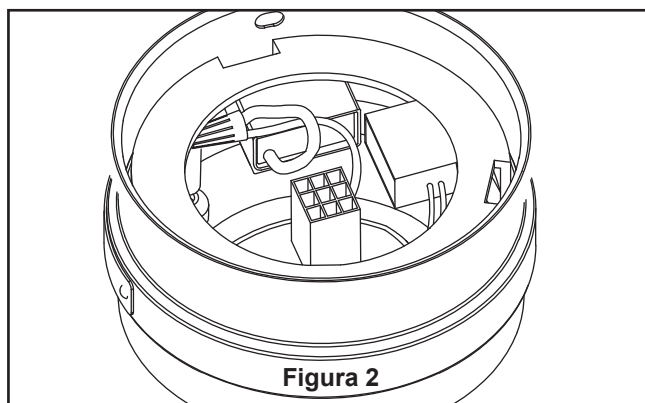
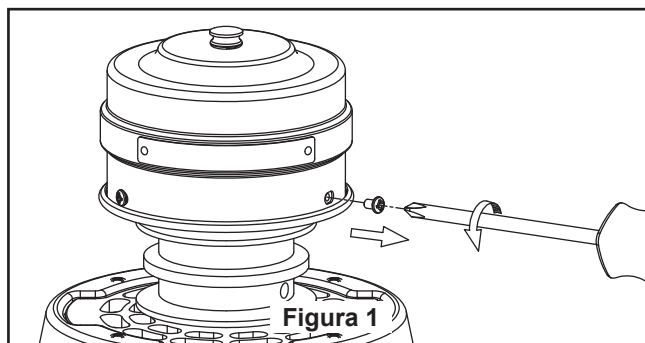
Están disponible ajustadores de iluminación opcionales y kits de iluminación, incluyendo una tulipa de 180 vatios máx. y una variedad de piezas de 4 luces con un máx. de 240 vatios. Solo pueden instalarse en la cubierta del interruptor del motor. Las instrucciones de la instalación se suministran con cada ajustador y kit de iluminación.



## Cómo configurar del receptor a distancia

Debe completar este paso antes de colgar su motor.

- 1. Extraiga la carcasa del interruptor:**  
Extraiga la carcasa del interruptor del motor desatornillando los tres tornillos y desconectando el conector. (Figuras 1 & 2)
- 2. Extraiga la unidad del receptor:**  
Deslice cuidadosamente el Receptor a distancia de la carcasa del interruptor del motor y coloque los interruptores de código en la parte inferior de la unidad del receptor. (Figura 3)
- 3. Configuración del código del receptor:**  
La unidad a distancia tiene 16 combinaciones diferentes de código. Es posible que sea necesario probar un par de ajustes de código de frecuencia para mejorar la recepción de la señal y/o eliminar interferencias de otros dispositivos de control remoto. Cada ventilador debe tener su propio código para permitir un control independiente de todos los ventiladores. Para configurar el código, deslice los interruptores de código en las mismas posiciones que las configuradas en el transmisor TR20.
- 4. Instalación del receptor en la carcasa del interruptor del motor:**  
Deslice el receptor a distancia en la cubierta del interruptor y conecte el enchufe de la unidad del motor en la conexión ubicada en la unidad del receptor. (Figura 2 & 3)
- 5. Instalación de la carcasa del interruptor del motor:**  
Deslice la carcasa del interruptor del motor instalada sobre la base de la carcasa del interruptor y fíjela con los tres tornillos. (Figura 1)



### ⚠ ADVERTENCIA

Compruebe que todas las conexiones estén adecuadamente realizadas. Para evitar posibles cortocircuitos, asegúrese de que los cables eléctricos están completamente dentro de la carcasa del interruptor y que no están pisados entre la carcasa y la cubierta del interruptor.

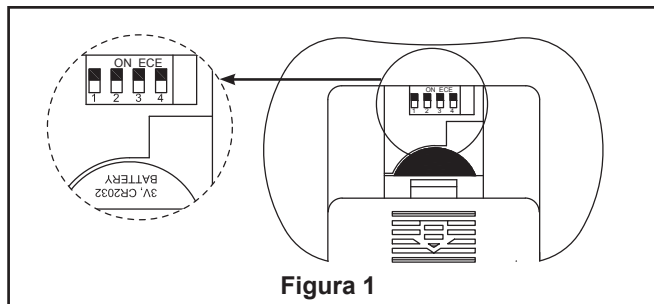
## Cómo configurar el mando a distancia

Si considera que no cuenta con la experiencia o los conocimientos eléctricos necesarios, contrate a un electricista autorizado para instalar el ventilador.

### ⚠ ADVERTENCIA

Para evitar posibles descargas eléctricas, asegúrese de que la electricidad esté desconectada de la caja de fusibles principal antes de realizar la instalación eléctrica.  
**NOTA: si no está seguro si la caja de distribución eléctrica tiene conexión a tierra, pida asesoramiento a un electricista autorizado, ya que la conexión a tierra es importante para un funcionamiento seguro.**

- 1. Configuración del código:** La unidad del control remoto cuenta con 16 combinaciones de código diferentes. Para evitar posibles interferencias desde o hacia otras unidades de control remoto como la de apertura de puertas del garaje, la alarma del auto o sistemas de seguridad, simplemente cambie la combinación del código en su transmisor y receptor. Para configurar el código, siga los siguientes pasos.



- **Transmisor:** retire la cubierta de la batería. Presione firmemente la flecha que se encuentra debajo y deslice para retirar la cubierta de la batería. Seleccione su opción deslizando los interruptores de código hacia arriba o hacia abajo. La configuración de fábrica es en la posición superior. No utilice esta posición. Con un destornillador pequeño o con una lapicera deslice firmemente hacia arriba o hacia abajo (Figura 1). Vuelva a colocar la cubierta de la batería en el transmisor.

# Instalación y cableado del ventilador de techo

## NOTA LA INSTALACIÓN

Se recomienda que cada ventilador y el motor tiene el respaldo de madera contrachapada de  $\frac{3}{4}$ " asegurada a un elemento de la estructura de apoyo adecuada (Figura 3). A 120 VAC de alimentación eléctrica, centrado en la unidad de motor y por cable a una velocidad de 3 de control (incluido) se requiere. La unidad de motor no funcionará más de cuatro poleas / montajes de lámina.

## ⚠ ADVERTENCIA

No instale ni utilice el ventilador si falta alguna pieza o si hay piezas dañadas. Este producto está diseñado para ser usado sólo con las piezas suministradas o los accesorios indicados por Fanimation específicamente para el mismo. La sustitución de piezas o accesorios no designados por Fanimation para usar con este producto podría ocasionar lesiones personales o daños en el ventilador. Póngase en contacto con su tienda si faltan piezas o hay piezas dañadas.

## NOTA LA INSTALACIÓN

La unidad del motor puede ser instalada tanto al final de la unidad de la polea como en el medio.

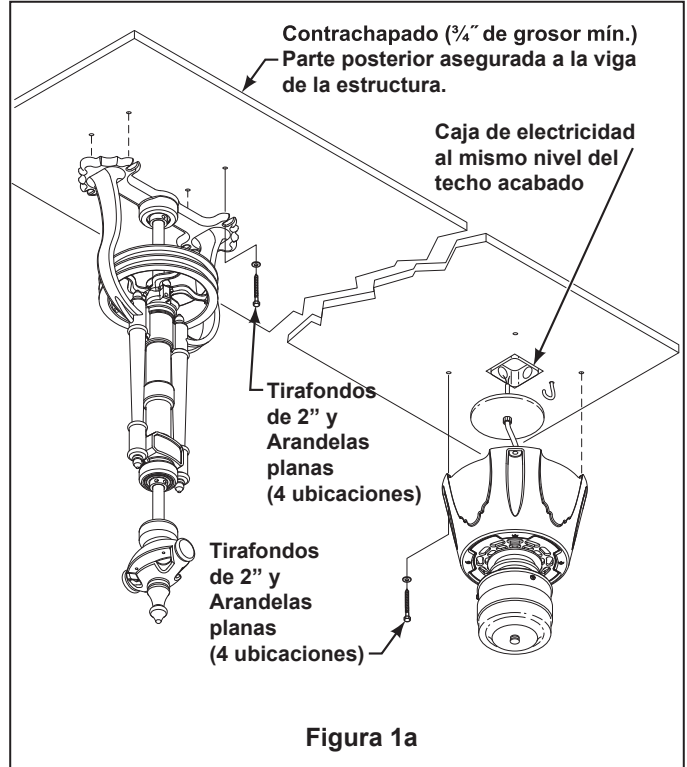


Figura 1a

1. En primer lugar, taladre los orificios guías de  $\frac{3}{16}$ " en la base de contrachapado o viga de sujeción para evitar que se raje o rompa. Instale la unidad de la polea en el techo con los 4 tirafondos y las arandelas planas. (Figura 1a)
2. Taladre los orificios guías de  $\frac{3}{16}$ " ubicados aproximadamente como se muestra en la ilustración 1a y 1b para el gancho tirafondo con forma de "J". Atornille dicho gancho en el techo.
3. Cuelgue la unidad del motor en el gancho del tirafondo para facilitar el cableado del motor del ventilador. (Figura 1b)

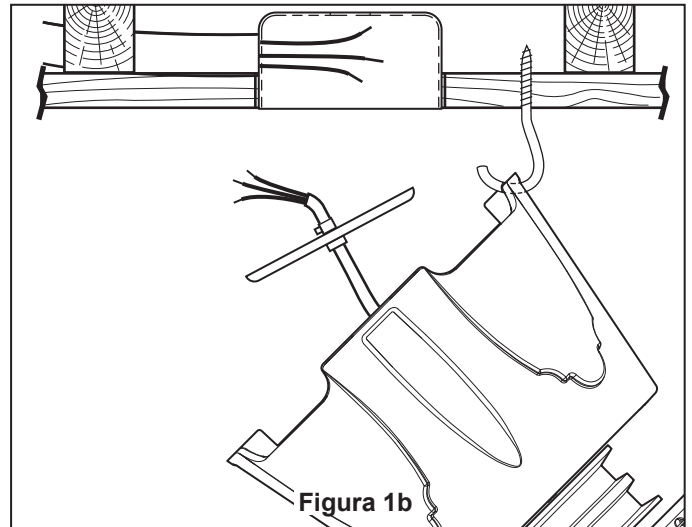


Figura 1b

## NOTA LA INSTALACIÓN

El ventilador de estar colgado al menos a 7' de espacio entre el suelo y las palas. La longitud máxima total (correa) entre el motor y la polea es de 14' y la mínima es de 4' (Ilustración 2). Para la instalación de la unidad de dos poleas: La distancia máxima total entre las dos poleas es de  $13\frac{1}{2}$ ' y la mínimo es de 5'.

## PRECAUCIÓN

No conecte las aspas hasta que el ventilador esté totalmente instalado. Instalar el ventilador con las aspas colocadas podría ocasionar daños en las mismas.

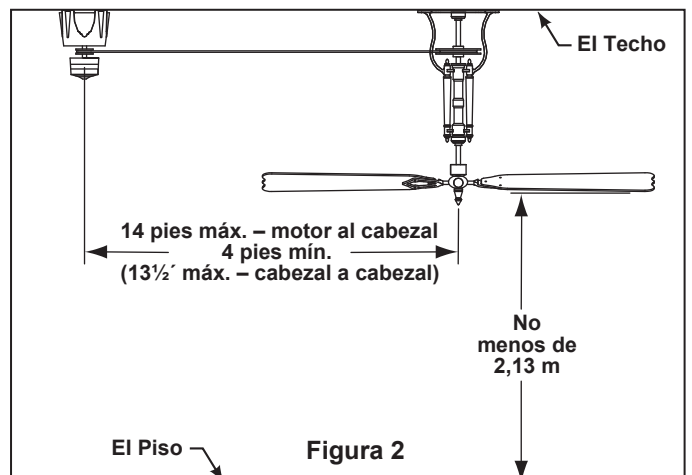


Figura 2

## Instalación y cableado del ventilador de techo (Cont.)

Si siente que no posee la experiencia o los conocimientos eléctricos necesarios, contrate a un electricista autorizado para instalar el ventilador.

### ⚠ ADVERTENCIA

Para evitar posibles descargas eléctricas, asegúrese de que la electricidad esté desconectada de la caja de fusibles principal antes de realizar la instalación eléctrica. **NOTA: si no está seguro si la caja de distribución eléctrica tiene conexión a tierra, pida asesoramiento a un electricista autorizado, ya que la conexión a tierra es importante para un funcionamiento seguro.**

4. Conecte el cable verde de toma de tierra desde el motor del ventilador al conductor de toma de tierra de la fuente de alimentación (éste puede ser un cable desnudo o un cable con una aislamiento de color verde). Conecte los cables a los conectores provistos de forma segura. Conecte el conductor blanco. Provistos de forma segura. Conecte el conductor blanco del motor del ventilador al conductor blanco (neutro) mediante el conector provisto de forma segura. Conecte el conductor negro del motor del ventilador al conductor negro mediante el conector provisto de forma segura. El cable rojo de suministro con una conector (no incluido). (Figura 3)

5. Monte la retención para la caja de empalme con los tornillos (suministrados con la caja de empalme). (Figura 4)

6. Afloje el relevador de tensión y tire de los cables que sobren a través de la cubierta. Vuelva a apretar el relevador de tensión.

7. Corte y pele los cables.

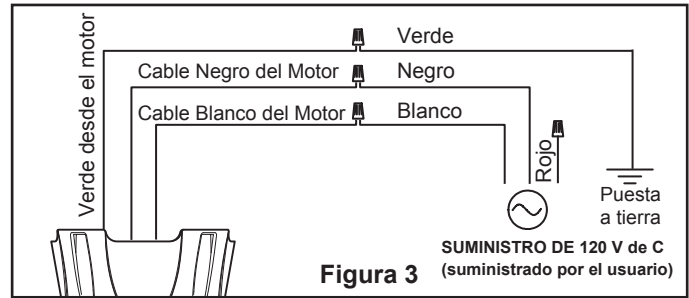
8. Cuando haya hecho las conexiones, coloque los cables hacia arriba y empuje la puntas de los cables hacia el interior de la caja de electricidad, con los cables de color blanco y verde en un lado de la caja y el cable de color negro hacia el otro lado. (Figura 5)

9. Después de las conexiones se han hecho, apriete los pernos de fijación para asegurar el conjunto de seguidores de base hasta el techo, asegurándose de que los cables eléctricos estén completamente dentro de la unidad de la base y no quede atrapada entre la base y el techo.

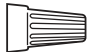
### ⚠ ADVERTENCIA

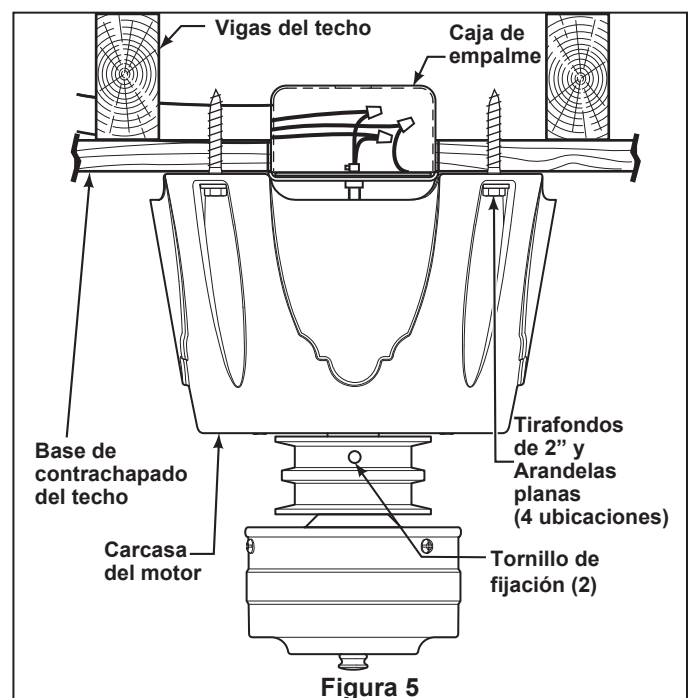
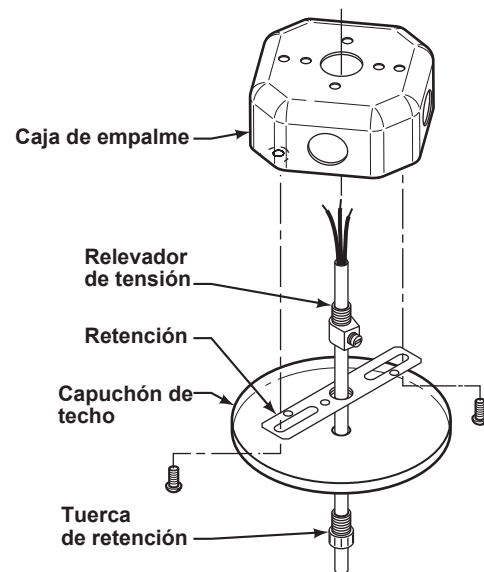
Compruebe que todas las conexiones estén adecuadamente realizadas. Para evitar posibles cortocircuitos, asegúrese de que los cables eléctricos están completamente dentro de la carcasa de la base y que no se pisan entre la base y el techo.

10. Si la polea del motor está floja, apriete únicamente los tornillos de fijación. No intente ajustar la ubicación de la polea del motor. (Figura 5)



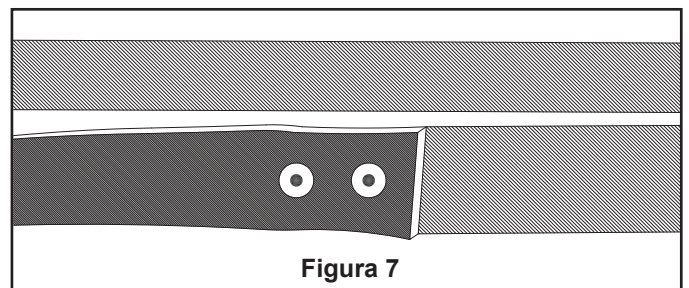
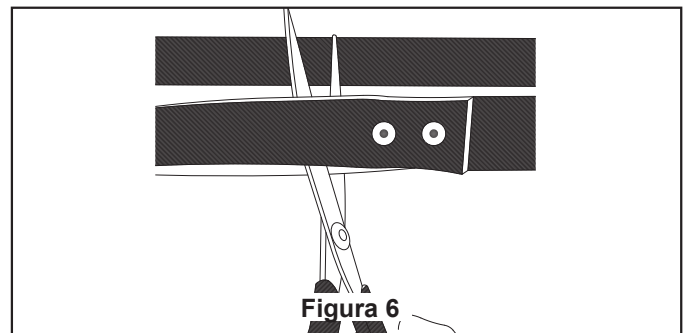
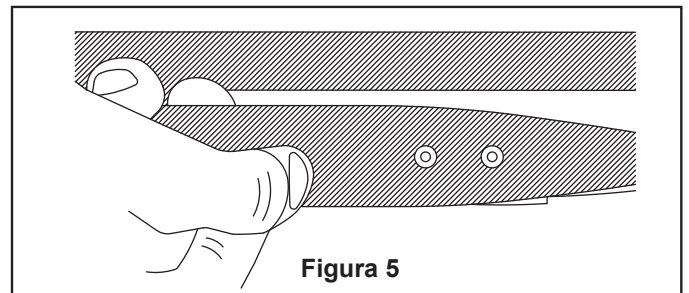
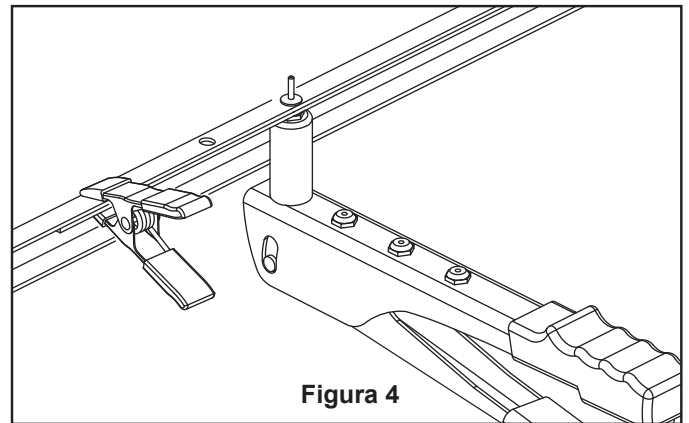
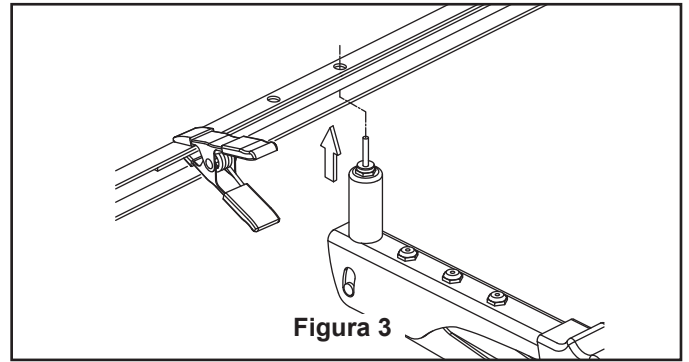
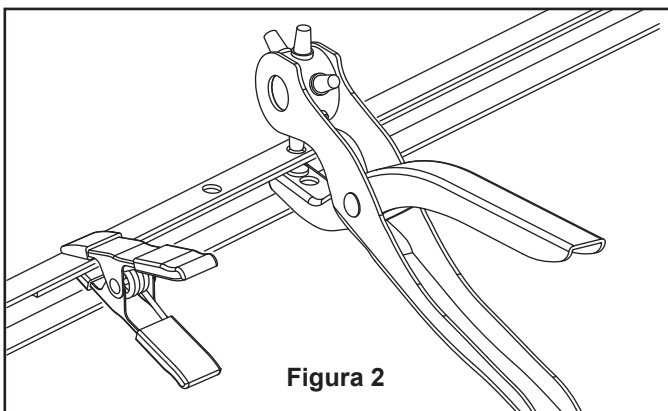
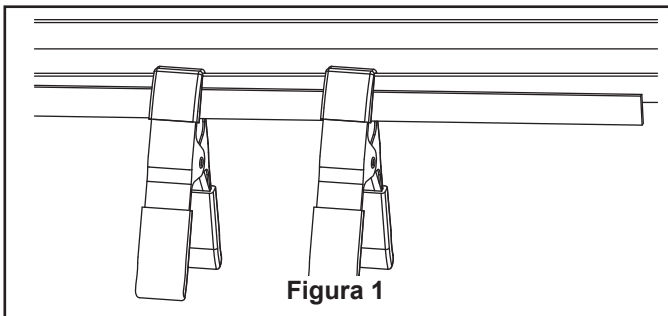
### Aditamentos utilizados:

Conectores de cable  x 3



## Instrucciones del ensamblaje de la correa

1. Enrolle la correa alrededor de las poleas para que quede conectada y esté montada en sí mismo como se muestra en la ilustración. Utilice las pinzas de muelles suministradas para mantener la correa en su sitio de forma temporal. Dejando las pinzas en el mismo sitio, agarre ambos extremos de la correa y tire con fuerza. Las pinzas deberían seguir sujetando la correa después de soltarla. (Figura 1)
2. Perfore dos orificios (de aprox. 1/8 pulgadas de diámetro) a través de las correas montadas, dejando un espacio entre ambos orificios de una pulgada utilizando la perforadora suministrada. (Figura 2)
3. Instale dos remaches utilizando la remachadora, los remaches y las arandelas de remaches. El cabezal plano del remacha debe quedar en la parte interior de la correa (el lado que toque la polea), mientras que la arandela del remache se coloque en el lado exterior de la correa. (Figuras 3, 4, & 5)
4. Recorte la correa que sobre tal y como se muestra a continuación. El solapamiento debe medir aproximadamente dos pulgadas de largo. (Figuras 6 & 7)



# Montaje de las palas del ventilador

## PRECAUCIÓN

*No conecte las aspas hasta que el ventilador esté totalmente instalado. Instalar el ventilador con las aspas colocadas podría ocasionar daños en las mismas.*

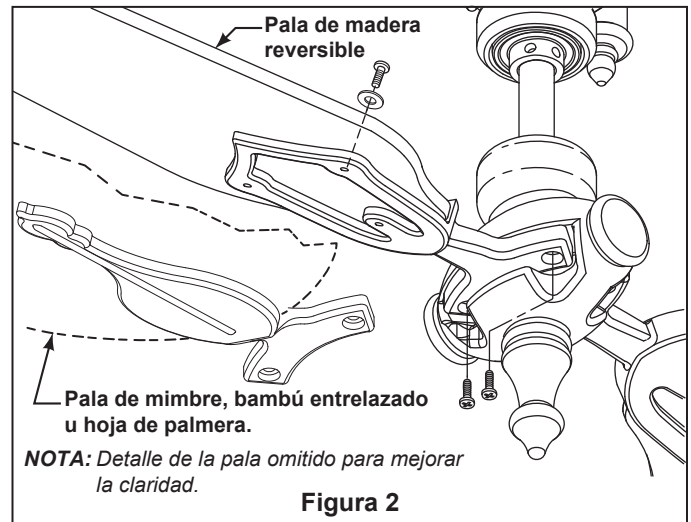
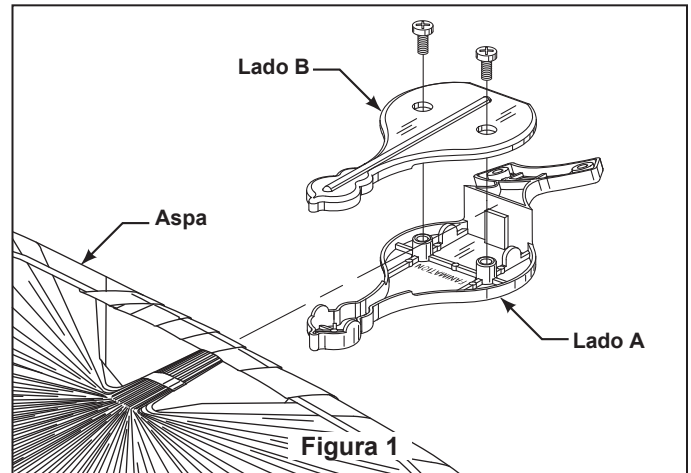
### Natural de hoja de palma, bambú tejido, tejido de mimbre Aspas

- 1. Apoye el lado liso del soporte de aspas sobre una superficie plana, con la parte interior del soporte mirando hacia arriba. Este es el lado que tiene los pilotes roscados y la base inclinada. (Figura 1).
- 2. Coloque las aspas sobre sus soportes con los postes roscados que se muestran. Asegúrese de que el borde inferior del aspa esté completamente asentado sobre el brazo del aspa.
- 3. Coloque la cubierta "B" del soporte de aspas sobre el aspa, y alinee los orificios sobre los pilotes roscados.
- 4. Con un destornillador Phillips, enrosque ambos tornillos en los pilotes pero no los ajuste por completo.
- 5. Antes de ajustarlos por completo, alinee la línea central del soporte de aspas con el centro del extremo del aspa. Ajuste ambos tornillos para asegurar el aspa.
- 6. Ajuste ambos tornillos para asegurar el aspa (Figura 1).

### Palas estándares de madera reversible

- 1. Instale las palas de madera en el soporte de pala con tres tornillos y tres arandelas de fibra.
- 2. Monte a continuación la pala ensamblada / soporte con pala en el volante y asegúrelo con los tornillos del mismo (Figura 2)

**NOTA:** Los soportes de pala de madera opcional (series BH20) y las palas de madera B4000 están disponibles para esta unidad. No es apropiado para el uso en ubicaciones húmedas.



# Instrucciones de funcionamiento - Control remoto de mano

- 1. IMPORTANTE:**  
El uso de un regulador de la intensidad completa (no incluido) para controlar la velocidad del ventilador dañará el dispositivo. Para reducir el riesgo de incendio o descarga eléctrica, no utilice dicho regulador para controlar la velocidad del ventilador. (Figura 1)

- 2.** Restaure la fuente de alimentación de la toma de corriente enciendo la electricidad del fusible principal. (Figura 2)

## **⚠️ ADVERTENCIA**

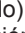
Compruebe que todas las conexiones realizadas correctamente, incluyendo la toma de tierra, y que no se visualizan ningún cable pelado en los conectores de cables, con la excepción del cable de toma de tierra. No utilice el ventilador hasta que las palas estén colocadas en su lugar, ya que de lo contrario se podría causar ruido y daños.

## **⚠️ ADVERTENCIA**

No utilice este ventilador con un controlador variable de pared (Rheostat) o un regulador de intensidad. Si lo hiciera podría dañar la unidad del mando a distancia del ventilador de techo.

- 3.** Retire la tapa de la batería con un destornillador pequeño o un bolígrafo, presione firmemente la pestaña y deslice la tapa de la batería hacia afuera. (Figura 3)

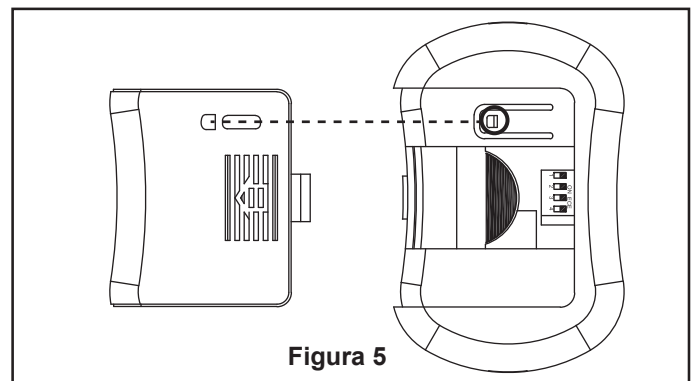
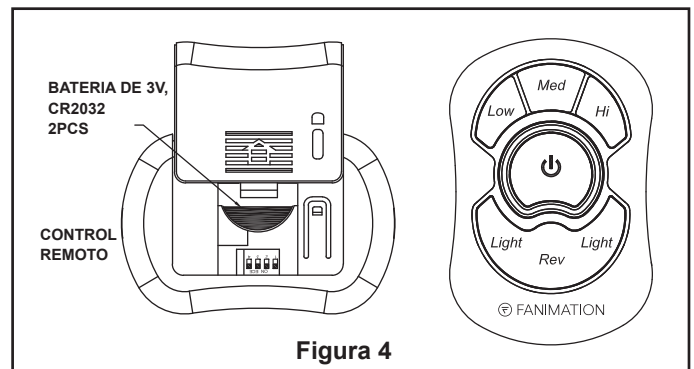
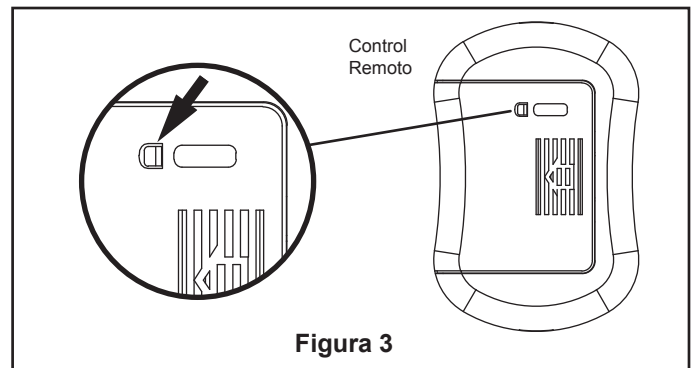
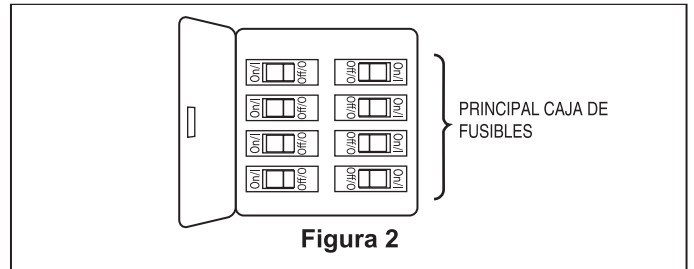
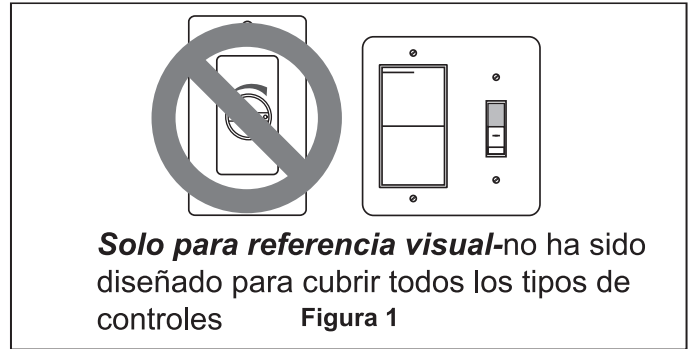
- 4.** Funcionamiento y uso del Control remoto de mano: Instale dos piezas de la batería de 3 voltios (si no se va a utilizar por largos períodos de tiempo, retire la batería para evitar daños a control remoto de mano.) Guarde el Control remoto de mano lejos del exceso de calor o humedad. (Figura 4)

- Botón HI (alto) – velocidad del ventilador alta
- Botón MED (medio) – velocidad del ventilador media
- Botón LOW (bajo) – velocidad del ventilador baja
- Botón REV (Giro) – alterna la dirección de flujo de aire
- Botón  (apagado) – ventilador apagado
- Botón de iluminación – encendido/apagado, sostenga para lograr un nivel infinito de iluminación

## **⚠️ ADVERTENCIA**

**Peligro de quemadura química. Mantenga las pilas lejos del alcance de los niños.**

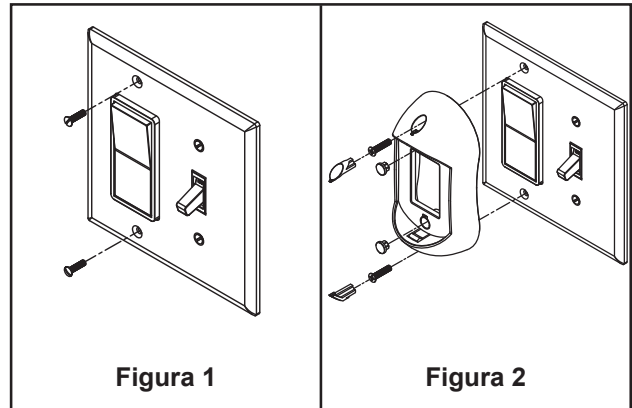
- 5.** Vuelva a colocar la tapa de la batería en el control remoto. Asegúrese de que el orificio de la batería cubra la pestaña de forma segura. (Figura 5)



---

## Cómo instalar su mando a distancia (Opción #1)

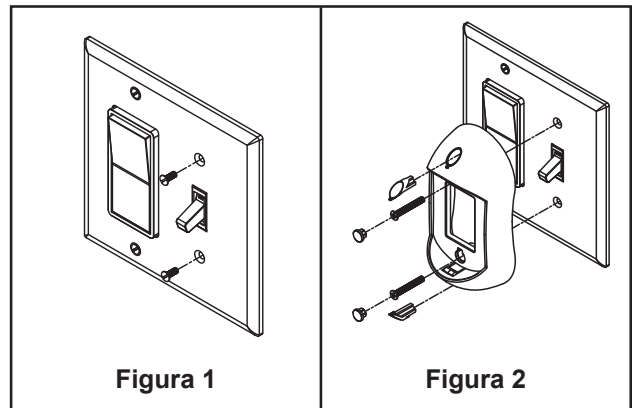
- 1. Retire los dos tornillos colocados en la plaza del interruptor de la pared. (Figura 1)
- 2. Instale el soporte de control con los dos tornillos #6-32x 3/4". Empuje los cuatro tapones de plástico para cubrir los orificios de los tornillos. (Incluidos con el mando). (Figura 2).



---

## Cómo instalar su mando a distancia (Opción #2)

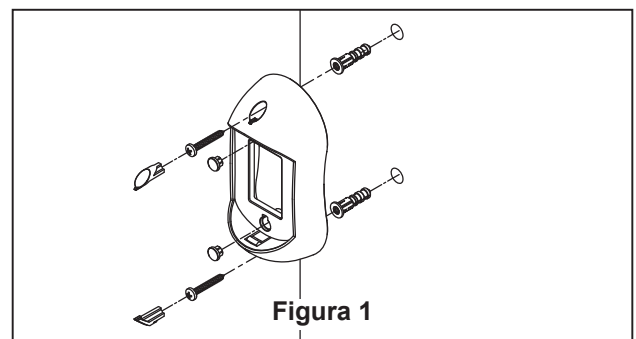
- 1. Retire los dos tornillos colocados en la plaza del interruptor de la pared. (Figura 1)
- 2. Instale el soporte de control con los dos tornillos #6-32x 1". Empuje los cuatro tapones de plástico para cubrir los orificios de los tornillos. (Incluidos con el mando). (Figura 2).



---

## Cómo instalar su mando a distancia (Opción #3)

- 1. Taladre dos orificios de 1/4" en la pared y utilice los tacos de plástico M6 para colocarlos en dichos orificios. Instale el soporte de control con los tornillos autorroscantes #3- 1". Empuje los cuatro tapones de plástico para cubrir los orificios de los tornillos. (Incluidos con el mando). (Figura 1).



# Mantenimiento

El único mantenimiento necesario para el ventilador de techo es una limpieza periódica.

Al llevar a cabo la limpieza, use sólo un cepillo suave o un paño sin pelusas, para evitar rayar el acabado.

No se requieren agentes abrasivos de limpieza; los mismos deben evitarse para prevenir daños en el acabado.

## PRECAUCIÓN

No utilice solventes para limpiar el ventilador de techo. Podrían dañar el motor o las aspas y ocasionar posibles descargas eléctricas.

## Limpieza de las aspas

Se recomienda limpiar el polvo de las aspas periódicamente. Lo mejor es utilizar un plumero.

Evite usar agua, productos de limpieza o trapos ásperos, que pueden combar o dañar las aspas.

## Solución de problemas

### ⚠ ADVERTENCIA

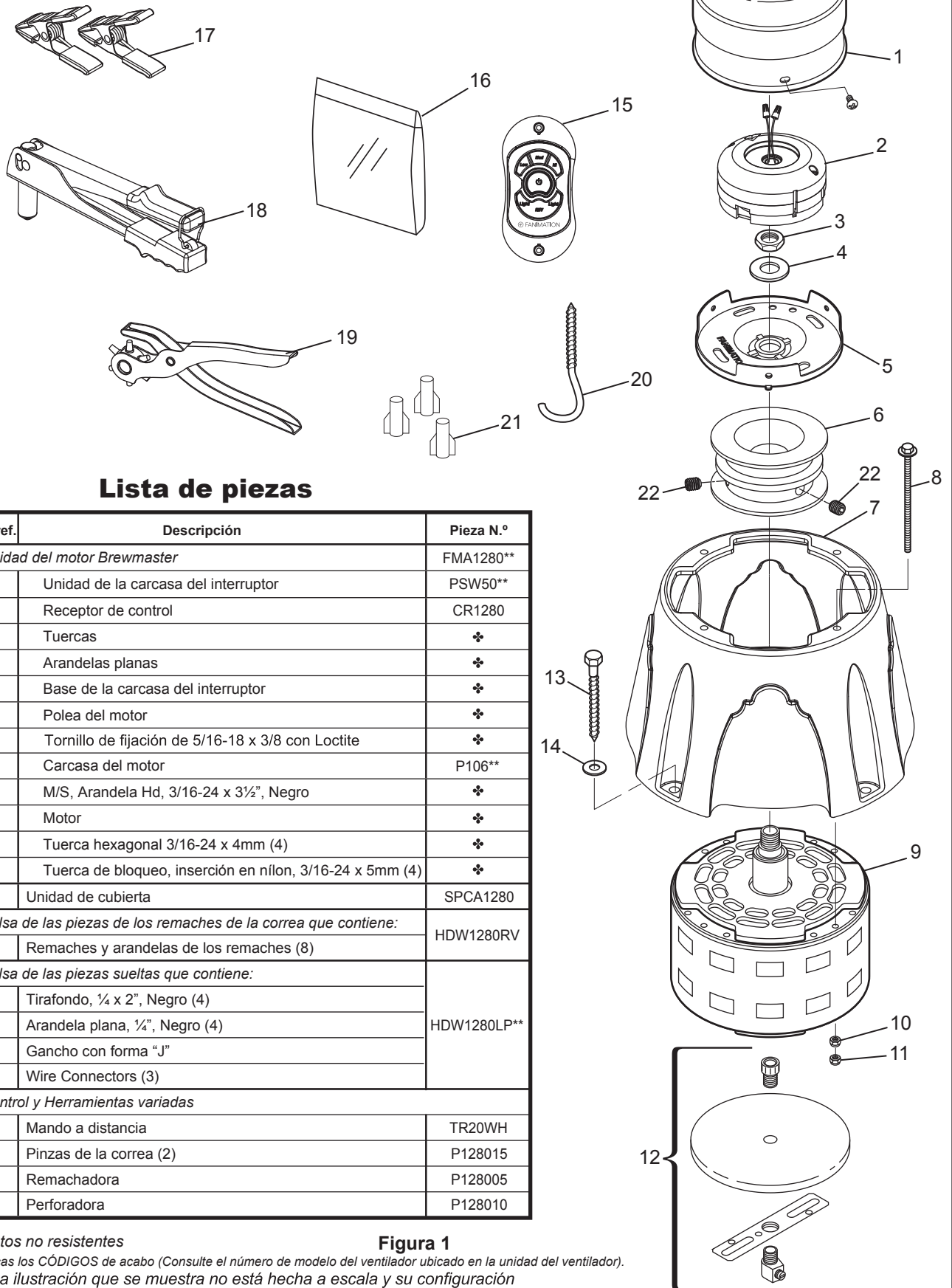
Para su propia seguridad, desconecte la electricidad de la caja de fusibles o disyuntor antes de solucionar problemas en su ventilador.

Problema	Causa posible	Solución sugerida
<b>1. FAN WILL NOT START</b>	<ol style="list-style-type: none"> <li>1. El fusible o el disyuntor están fundidos.</li> <li>2. Las conexiones eléctricas del ventilador o del interruptor en la caja del interruptor están flojas.</li> <li>3. Batería agotada en el control remoto.</li> <li>4. Los interruptores de frecuencia del receptor de control no se configuran.</li> </ol>	<ol style="list-style-type: none"> <li>1. Revise los fusibles del circuito principal y derivado o los disyuntores.</li> <li>2. Revise las conexiones eléctricas del ventilador y del interruptor en las cajas de los interruptores.</li> </ol> <p><b>PRECAUCIÓN: Asegúrese de que el suministro principal de electricidad esté desconectado.</b></p> <ol style="list-style-type: none"> <li>3. Reemplace con una batería nueva.</li> <li>4. Asegúrese de que coincidan los interruptores de frecuencia del mando a distancia y del receptor.</li> </ol>
<b>2. FAN SOUNDS NOISY</b>	<ol style="list-style-type: none"> <li>1. Hay tornillos flojos en la caja del motor.</li> <li>2. Los tornillos que aseguran la pala del ventilador están flojos.</li> <li>3. Ruido del motor provocado por el control de velocidad de estado sólido variable.</li> <li>4. Los tornillos de presión de la polea están flojos.</li> <li>5. Los remaches (en la correa) están haciendo ruido.</li> </ol>	<ol style="list-style-type: none"> <li>1. Asegúrese de que todos los tornillos de la caja del motor estén bien ajustados (pero no en exceso).</li> <li>2. Asegúrese de que los tornillos que fijan los soportes de aspas al buje del motor del ventilador estén bien ajustados.</li> <li>3. Algunos motores de ventilador son sensibles a las señales de los controles de velocidad de estado sólido variables. Los controles de estado sólido no son recomendables. Escoja un método de control alternativo.</li> </ol> <p><b>PRECAUCIÓN: Asegúrese de que el suministro principal de electricidad esté desconectado.</b></p> <ol style="list-style-type: none"> <li>4. Ajuste bien los tornillos.</li> <li>5. No se considera un defecto.</li> </ol>
<b>3. FAN WOBBLER EXCESSIVELY</b>	<ol style="list-style-type: none"> <li>1. Los tirafondos de la base del motor / ventilador del techo están flojos.</li> <li>2. Los soportes de las palas no están asentadas adecuadamente.</li> </ol>	<ol style="list-style-type: none"> <li>1. Fije adecuadamente los tirafondos.</li> <li>2. Asegúrese de que los soportes de las aspas del ventilador estén colocados firmemente y de manera uniforme en relación con la superficie de la caja del motor. Si los soportes están mal colocados, afloje los tornillos y vuelva a ajustarlos.</li> </ol>
<b>4. EL MANDO A DISTANCIA SIN FUNCIONAR. EL LED INDICADOR DE CONTROL PARPADEA CONSTANTEMENTE.</b>	<ol style="list-style-type: none"> <li>1. La batería / baterías (pila/ pilas) se van a agotar.</li> </ol>	<ol style="list-style-type: none"> <li>1. Sustituir con la batería / baterías (pila/ pilas) nueva.</li> </ol>



# The Brewmaster® Motor Pack FP1280\*\*

## Ilustración del despiece



### Lista de piezas

N.º de ref.	Descripción	Pieza N.º
<i>Unidad del motor Brewmaster</i>		FMA1280**
1	Unidad de la carcasa del interruptor	PSW50**
2	Receptor de control	CR1280
3	Tuercas	❖
4	Arandelas planas	❖
5	Base de la carcasa del interruptor	❖
6	Polea del motor	❖
22	Tornillo de fijación de 5/16-18 x 3/8 con Loctite	❖
7	Carcasa del motor	P106**
8	M/S, Arandela Hd, 3/16-24 x 3 1/2", Negro	❖
9	Motor	❖
10	Tuerca hexagonal 3/16-24 x 4mm (4)	❖
11	Tuerca de bloqueo, inserción en nylon, 3/16-24 x 5mm (4)	❖
12	Unidad de cubierta	SPCA1280
<i>Bolsa de las piezas de los remaches de la correa que contiene:</i>		HDW1280RV
16	Remaches y arandelas de los remaches (8)	
<i>Bolsa de las piezas sueltas que contiene:</i>		HDW1280LP**
13	Tirafondo, 1/4 x 2", Negro (4)	
14	Arandela plana, 1/4", Negro (4)	
20	Gancho con forma "J"	
21	Wire Connectors (3)	
<i>Control y Herramientas variadas</i>		
15	Mando a distancia	TR20WH
17	Pinzas de la correa (2)	P128015
18	Remachadora	P128005
19	Perforadora	P128010

Figura 1

❖ Elementos no resistentes

\* Introduzcas los CÓDIGOS de acabado (Consulte el número de modelo del ventilador ubicado en la unidad del ventilador).

**NOTA:** La ilustración que se muestra no está hecha a escala y su configuración real o las terminaciones puede variar.

## Lista de piezas

N.º de ref.	Descripción	Pieza N.º
<i>Unidad de la polea</i>		FP10**/FP20**
1	Polea con tornillo de presión	❖
2a	Marco corto (modelo corto)	❖
2b	Marco largo (modelo largo)	❖
3	Funda, rodamiento, negro	❖
4	Rodamiento	❖
5	Eje	❖
6	Centro	❖
7	Soporte de pala (2) (Solo de palas de madera)	P1212**
8	Bolsa, Tornillos de Soporte a Centfo, 10-32 x 1/2", Negro (5)	HDWFP10HB**
9	Bolsa, Tirafondos, 1/4" x 2", Negro, con arandelas (4)	HDWFP10LG
10	Bolsa, Tornillos de pala de madera, 3/16"-24 x 1/2", Negro (7) con arandelas de fibra (7)	HDWFP10WB**
11	Bolsa, Tornillos de pala Trad., 3/16"-24 x 3/8", negro (5)	HDWFP10TB**
12	Cubierta del brazo de la pala (2)	P3220**
13	Soporte de pala Trad. (2) (Palmera, bambú o mimbre)	P3210**
14	Correa (un rollo de 30 pies)	BM30

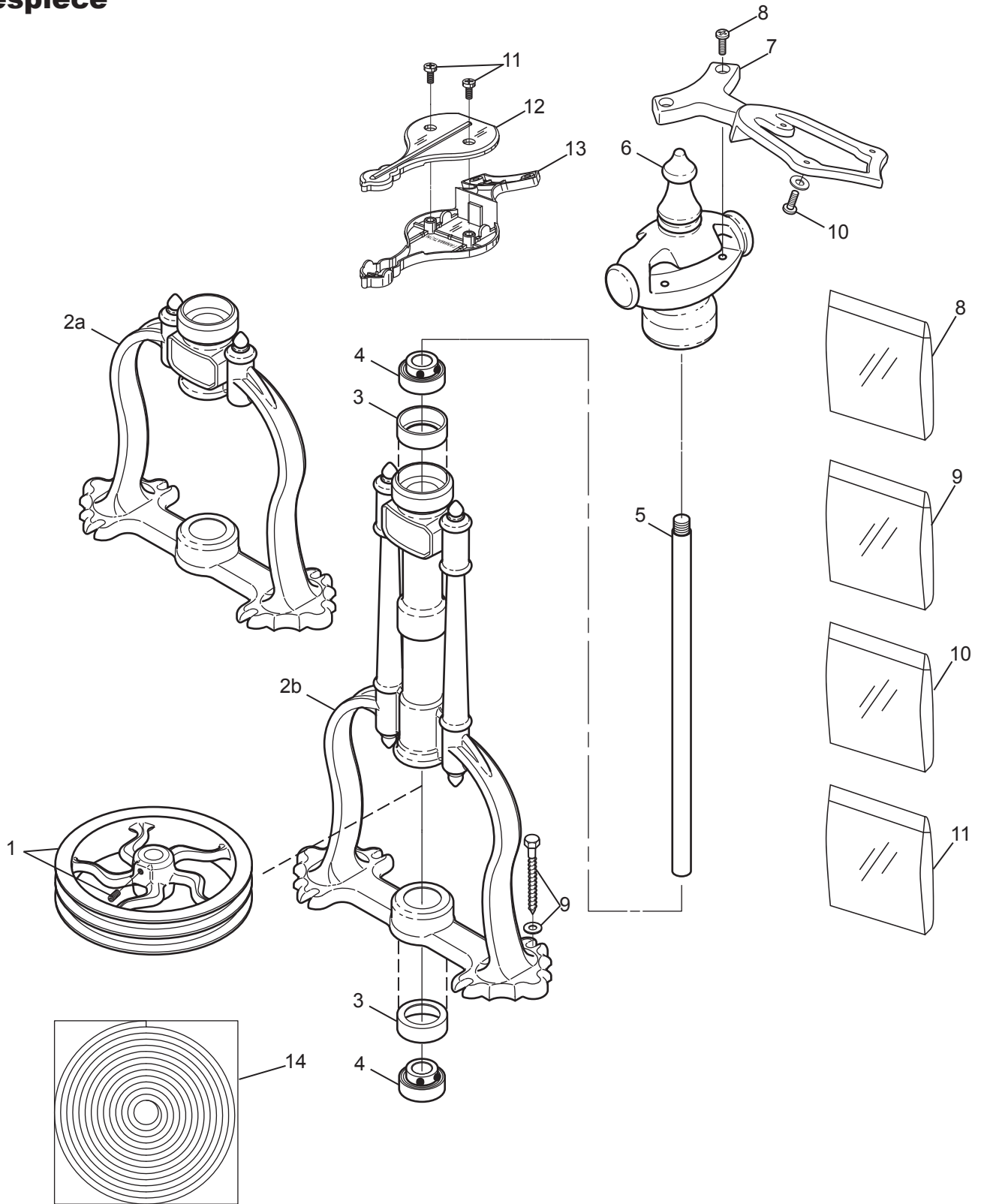
❖ *Elementos no resistentes*

**\*\*Inserte los CÓDIGOS DE ACABADO (consulte el número de modelo del ventilador que se encuentra en el soporte de barra)**

**Antes de desechar los materiales de embalaje, asegúrese de haber extraído todas las piezas**

<b>Cómo hacer un pedido de piezas</b>
<p>Al hacer un pedido de piezas de repuesto, proporcione siempre la siguiente información:</p> <ul style="list-style-type: none"> <li>• Número de modelo del ventilador</li> <li>• Número de pieza</li> <li>• Descripción de la pieza</li> <li>• Código de fecha</li> </ul> <p>Póngase en <a href="mailto:techsupport@fanimation.com">techsupport@fanimation.com</a> o al 1-888-567-2055 para obtener las piezas de repuesto.</p>

# El pack de montaje de la polea Brewmaster® FP10\_\_ (Corto) / FP20\_\_ (Largo) Despiece



**NOTA:** la ilustración que se muestra no está hecha a escala y su configuración real puede variar.

Figura 2



10983 Bennett Parkway  
Zionsville, IN 46077  
Llame sin cargo al (888) 567-2055  
FAX (866) 482-5215  
Desde fuera de los EE.UU., llame al (317) 733-4113  
Visite nuestro sitio Web en [www.fanimation.com](http://www.fanimation.com)

2021/05 V.01  
Copyright 2021 Fanimation