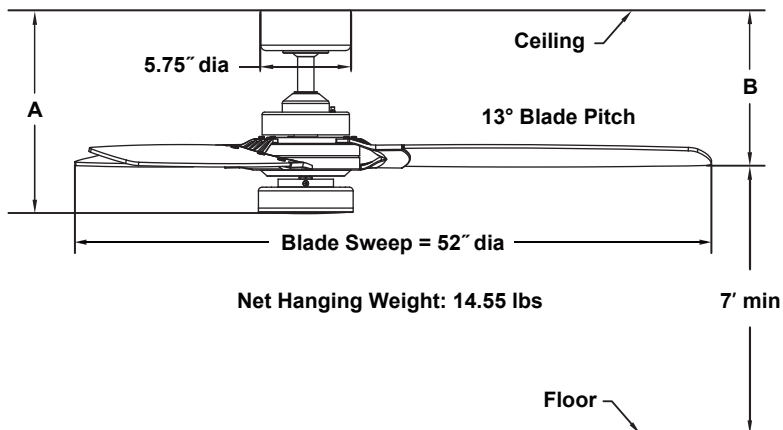


AMPED™

FP7634** 52" Ceiling Fan



	A	B
Fan w/4.5" downrod	12.89"	9.90"
Fan w/12" downrod	20.39"	17.40"
Fan w/18" downrod	26.39"	23.40"
Fan w/24" downrod	32.39"	29.40"
Fan w/36" downrod	44.39"	41.40"
Fan w/48" downrod	56.39"	53.40"
Fan w/60" downrod	68.39"	65.40"
Fan w/72" downrod	80.39"	77.40"

INSTALLATION REQUIREMENTS:

Fan must be attached to a securely anchored electrical junction box capable of withstanding a load of at least 35 lbs.

ELECTRICAL REQUIREMENTS:

Requires a grounded electrical supply line of 120 volts AC, 60 Hz, 15 amp circuit.

MOTOR SPECS:

172 x 15 AC motor is designed for optimal performance with this fan.

BLADES:

A set of three 21" plywood blades is included.

LIGHTING OPTIONS:

One 18-watt LED included.

CONTROL OPTIONS:

TR500 hand-held remote control is included. Push button remote control with variable fan speeds, infinite light levels and off button. Optional WC2WH, WR501WH and CWRL4 wall controls, CRL4WH hand held remote control and WFR50 WiFi receiver unit are available — sold separately. Instructions are provided with each control.

DOWNROD OPTIONS:

Fan comes with a 1" dia. x 4.5" long downrod (DR1-45). Optional downrods are available in 12", 18", 24", 36", 48", 60" and 72" lengths. A downrod coupler is available for installations requiring a downrod longer than 72". Fan can be mounted on a sloped ceiling up to 27°. Most sloped ceiling installations require a standard 18" downrod or longer downrod. Optional sloped ceiling ball kits (SCB1-52) are available for slope angles greater than 27° and up to 42°. Call technical support for more information.

LOCATION USE:

Fan is rated for dry location only. This fan is for room up to 400 sq ft.

Available Finishes

BL	Black with Black Blades and Opal Frosted Shade
BLBS	Black and Brushed Satin Brass with Black Blades and Opal Frosted Shade
BN	Brushed Nickel with Brushed Nickel Blades and Opal Frosted Shade
MW	Matte White with Matte White Blades and Opal Frosted Shade
MWBS	Matte White and Brushed Satin Brass with Matte White Blades and Opal Frosted Shade

Airflow / Energy Efficiency Info (120V)

Fan Speed	Max RPM	CFM	CFM / Watts	Amps	Watts
High	193	5335	71	0.63	75
Med	118	3322	108	0.42	31
Low	64	1661	157	0.25	11

Energy Guide FTC

Power (W _{ave})	Total Air Delivery (CFM _{ave})	Estimated Yearly Energy Cost (\$)	Ceiling Fan Efficiency (CFM/W)
46	3612	13	79

Light Bulb Information (120V)

Bulb Type	Watts	QTY	Lumens Amount	Color Temp	CRI
LED	18	1	1500	3000	90%