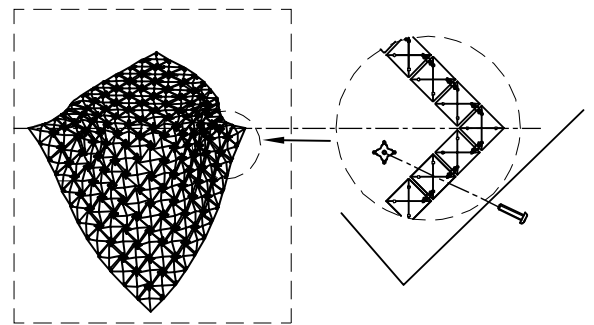
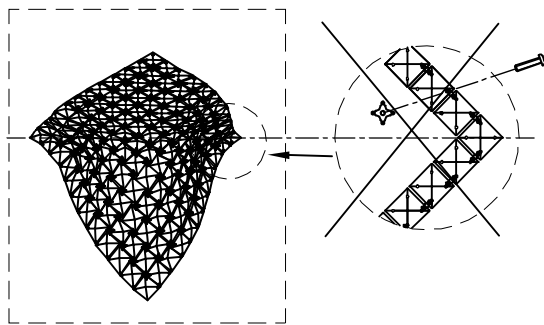
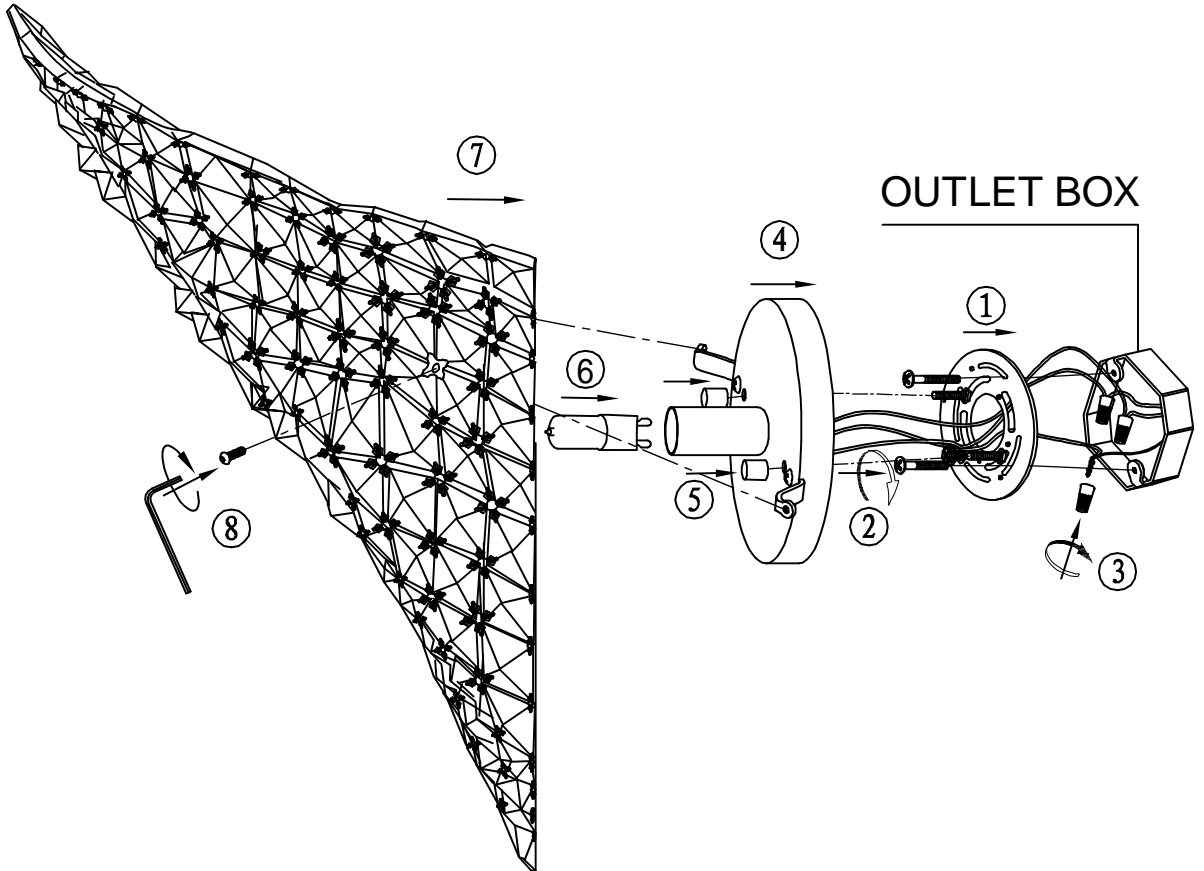
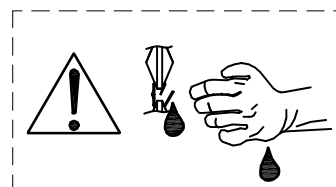


# INSTALLATION INSTRUCTION

Item No.: E24270-20PC



**be careful !**



## FEATURE

Lamp Type: "Xenon" G9 MAX 75W 120V ~ 60HZ  
The lamp is for indoor use only.