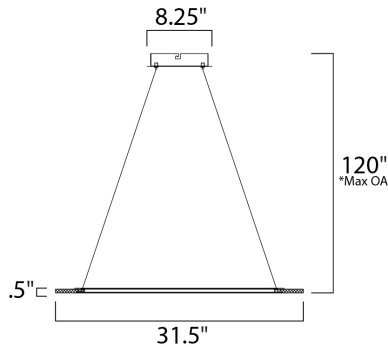




PRODUCT DESCRIPTION

A new variation of a very popular series with many different configurations many of which are large scale for commercial applications. Metal rings of Matte Silver support horizontal acrylic diffusers which glow when illuminated by dimmable LED.



*max overall height

MEASUREMENTS

- DIMENSION : 31.5" L x 31.5" W x 0.5" H
- MAX OAH : 120" OAH
- CANOPY : 8.25" W x 2" H x 8.25" L
- HANGING WEIGHT : 16.62 lb

LAMPING

- INPUT VOLTAGE : 120V
- LUMENS : 2,240 Rated (1,810 Del.)
- BULB : 1 x 32W LED PCB Integrated , 32W Total
- BULB INCLUDED : (Integrated)
- DIMMABLE : Triac CL
- CRI : 80+ CRI
- COLOR_TEMP : 3000K

FINISHES OPTION

- Matte Silver

GLASS

- Matte White 11

MATERIAL

- Aluminum, Acrylic

RATINGS

- cETLus
- Dry Location



ADDITIONAL

- ADJUSTABLE
- OPERATING TEMPERATURE: -20°C (-4°F), 40°C (104°F)

Always consult a qualified electrician before installing any lighting product.



Contemporary Lighting™

WESTERN DISTRIBUTION CENTER (HEADQUARTER)
253 NORTH VINELAND AVE | CITY OF INDUSTRY, CA 91746

EASTERN DISTRIBUTION CENTER
4200 SHIRLEY DR. | ATLANTA, GA 30336

P. 626.956.4200 | F. 626.956.4225 | et2online.com