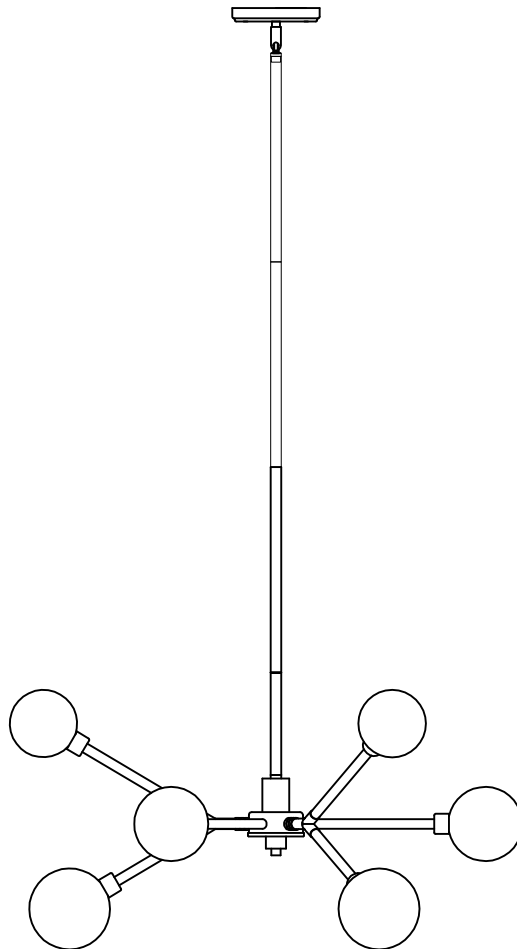




Contemporary  
Lighting

PRODUCT NAME: Astroid 9LT chandelier  
NUMBER: E24823-138PC

Please consult your electrician for Hang fixture and wiring.



**Bulb(included) :9\*G9 LED 4W**

MADE IN CHINA

Page 1 of (3)

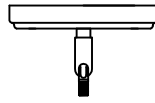
**IMPORTANT:** Turn off power at the main fuse or circuit breaker box before starting installation



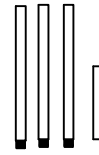
(A) Bracket



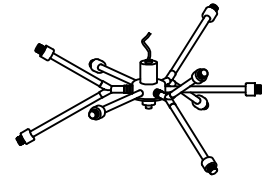
(B) Ball nut



(C) Canopy

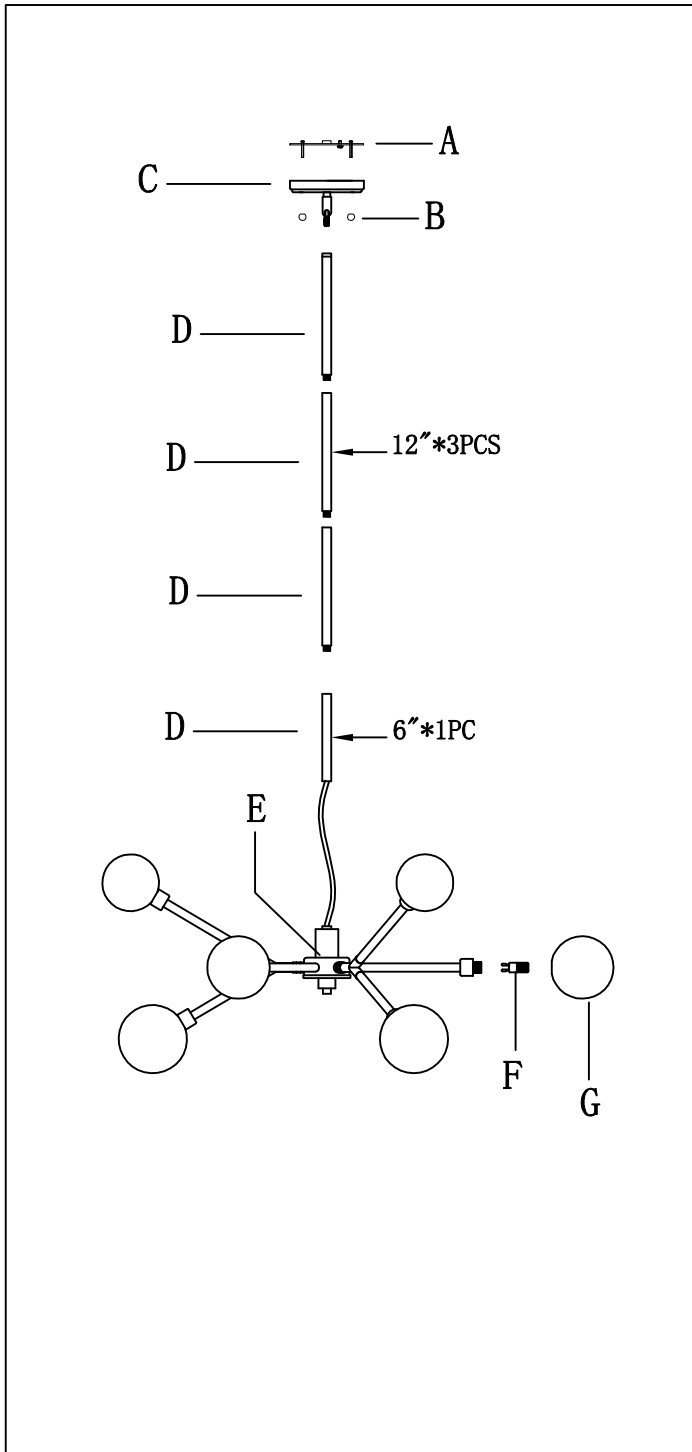


(D) Stems



(E) Body

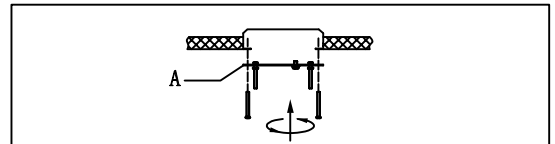
**Locate all hardware & components before discarding packaging**



**Cleaning & Care:**

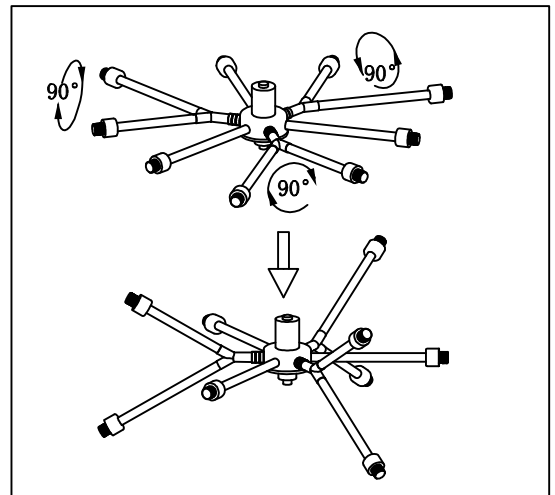
Clean with soft cloth and a mild detergent.  
Do not use abrasive cleaner.

1.)



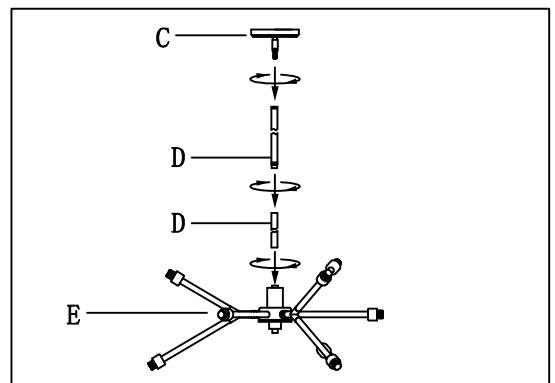
**Step. 1:** Remove mounting bracket (A) from fixture and install to electrical box.

2.)



**Step. 2:** The arm turns 90 degrees clockwise.

3.)



**Step. 3:** Run wire through stems (D) and combine stem lengths to meet desired mounting height.

**IMPORTANT: Turn off power at the main fuse or circuit breaker box before starting installation**



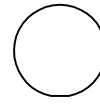
(F) G9 Led Bulb



(G1) Small size glass shade- 3pcs

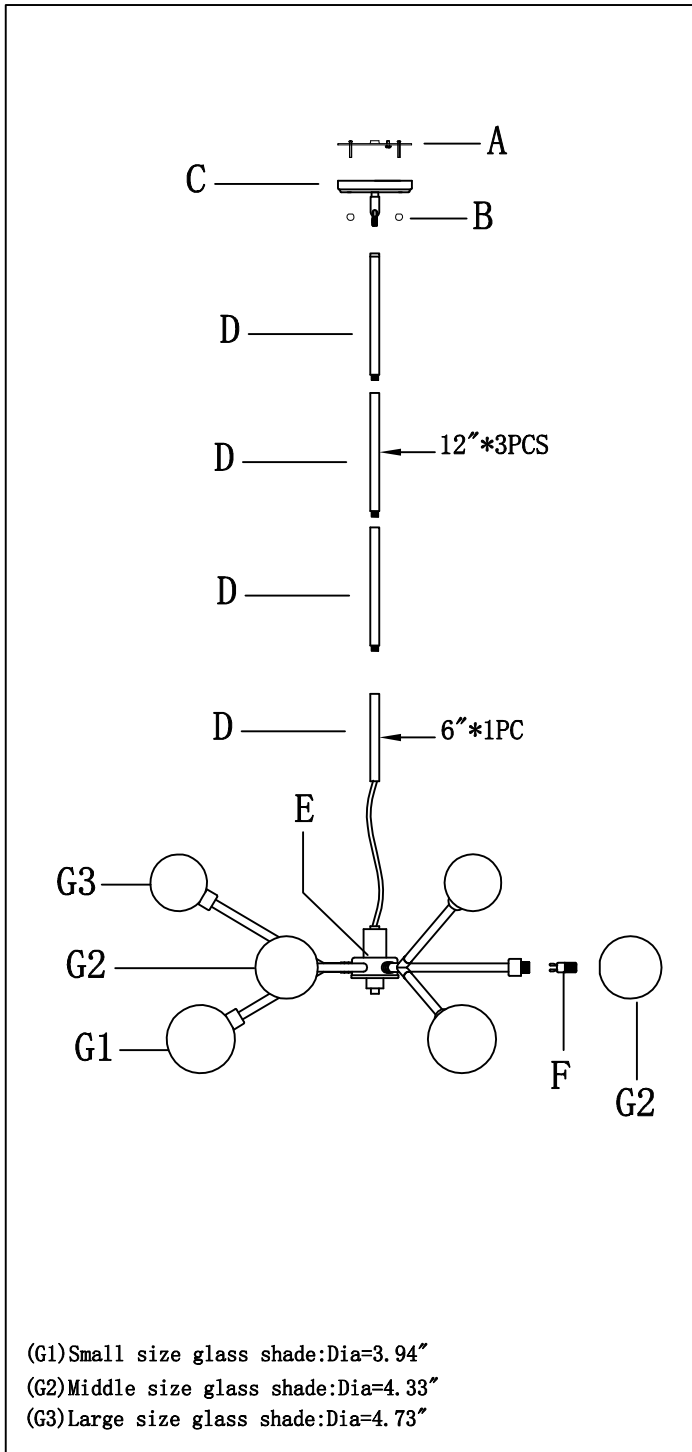


(G2) Middle size glass shade- 3pcs

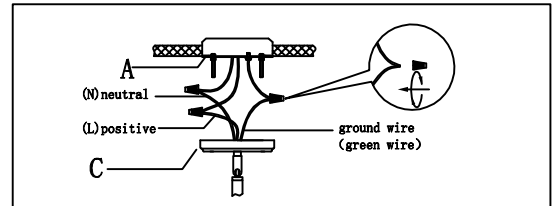


(G3) Large size glass shade- 3pcs

**Locate all hardware & components before discarding packaging**

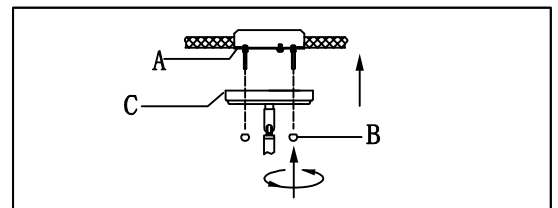


4.)



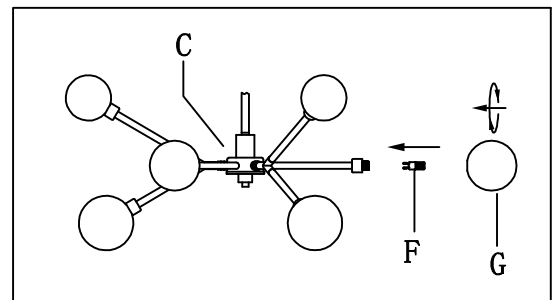
**Step. 4:** Wire fixture to wires in outlet box. Copper/Green wire is for Ground.

5.)



**Step. 5:** Install fixture to bracket and tighten ball nuts (B) on the canopy to secure.

6.)



**Step. 6:** Install the G9 led bulb (F), then screw G3 on the top layer, screw G2 on the middle layer, and screw G1 on the bottom layer, Or screw the three different size of glass shades (G1, G2, G3) into socket to your own idear.

**Cleaning & Care:**

Clean with soft cloth and a mild detergent.  
 Do not use abrasive cleaner.