

MR16 / GU5.3

6.0W - 36°

RED

SPECIFICATIONS & TECHNICAL DATA

The 12V EmeryAllen Multicolored MR16 retrofit lamps are an energy efficient alternative to 12V halogen MR16 lamps. It is suitable for use in most 12V GU5.3 MR16 fixtures. Great for holiday or other festive applications!

Base Type	GU5.3
Material	Ceramic + PC
Input Voltage	12V AC
Wattage	6.0
Volt-Amperes (VA)	6.8
Brightness	300 lumens
Lumens/Watt	50
Life	25,000 hours
Color	Red
Beam Angle	36 degrees
Warranty	Limited Lifetime*

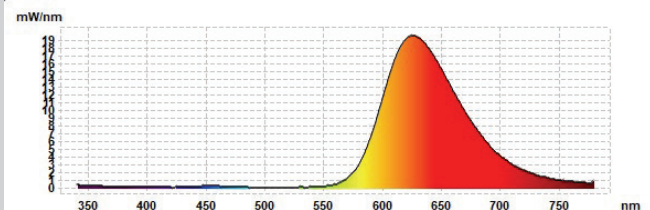
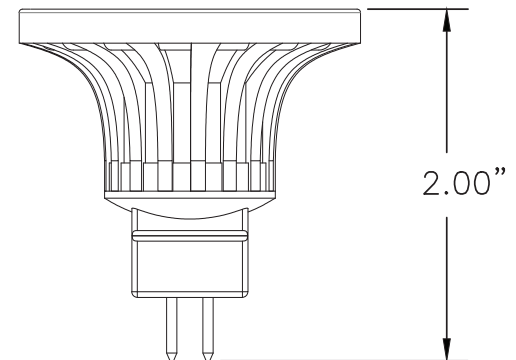
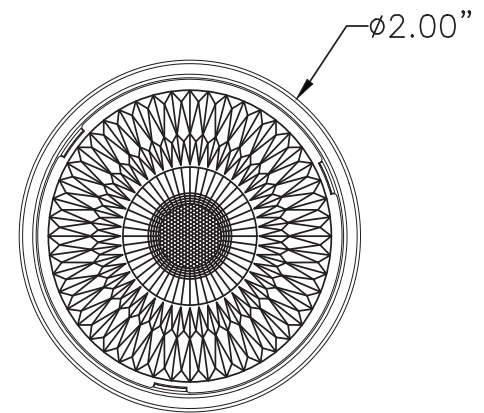
Available Models:

- EA-MR16-6.0W-36D-RED-D

Dimming:

- Dimmable with most magnetic and electronic LED compatible transformers
- Dimmable with most MLV and ELV dimmers

US PAT: US D869,009



MR16 / GU5.3

6.0W - 36°

GREEN

SPECIFICATIONS & TECHNICAL DATA

The 12V EmeryAllen Multicolored MR16 retrofit lamps are an energy efficient alternative to 12V halogen MR16 lamps. It is suitable for use in most 12V GU5.3 MR16 fixtures. Great for holiday or other festive applications!

Base Type	GU5.3
Material	Ceramic + PC
Input Voltage	12V AC
Wattage	6.0
Volt-Amperes (VA)	6.7
Brightness	800 lumens
Lumens/Watt	133
Life	25,000 hours
Color	Green
Beam Angle	36 degrees
Warranty	Limited Lifetime*

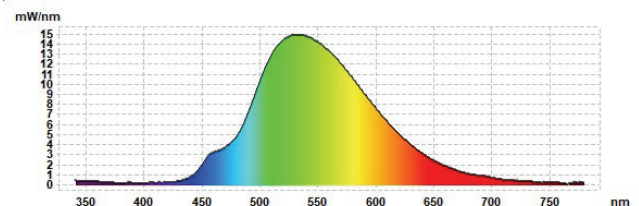
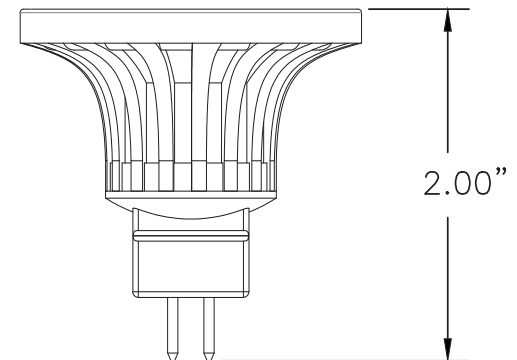
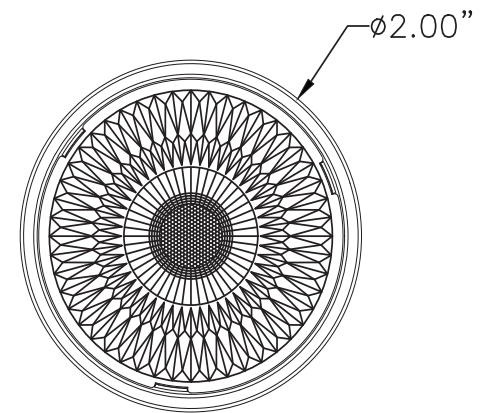
Available Models:

- EA-MR16-6.0W-36D-GRE-D

Dimming:

- Dimmable with most magnetic and electronic LED compatible transformers
- Dimmable with most MLV and ELV dimmers

US PAT: US D869,009



MR16 / GU5.3

6.0W - 36°

BLUE

SPECIFICATIONS & TECHNICAL DATA

The 12V EmeryAllen Multicolored MR16 retrofit lamps are an energy efficient alternative to 12V halogen MR16 lamps. It is suitable for use in most 12V GU5.3 MR16 fixtures. Great for holiday or other festive applications!

Base Type	GU5.3
Material	Ceramic + PC
Input Voltage	12V AC
Wattage	6.0
Volt-Amperes (VA)	6.79
Brightness	100 lumens
Lumens/Watt	16
Life	25,000 hours
Color	Blue
Beam Angle	36 degrees
Warranty	Limited Lifetime*

Available Models:

- EA-MR16-6.0W-36D-BLU-D

Dimming:

- Dimmable with most magnetic and electronic LED compatible transformers
- Dimmable with most MLV and ELV dimmers

US PAT: US D869,009

