

MR16 / GU5.3

5.0W - 15°

SPECIFICATIONS & TECHNICAL DATA

The 12V EmeryAllen MR16 retrofit lamp is an energy efficient alternative to halogen MR16 lamps. It offers similar light output to a 12V, 35W incandescent (300-450lm) and is suitable for use in most 12V GU5.3 MR16 fixtures.

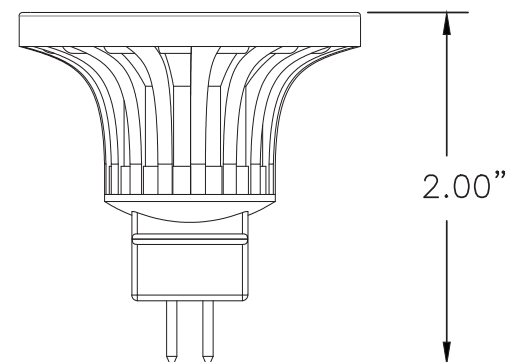
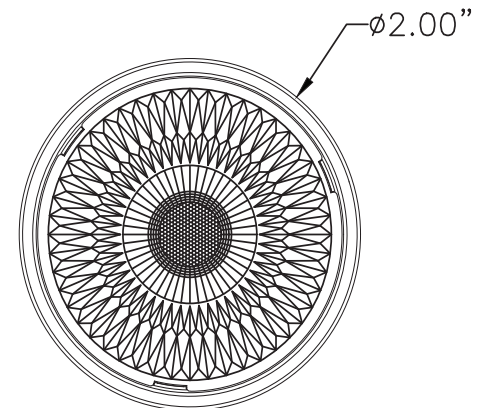
Base Type	GU5.3
Material	Ceramic + PC
Input Voltage	12V AC
Wattage	4.6
Volt-Amperes (VA)	5.11W
CRI	92
Brightness	472 lumens
Lumens/Watt	102
Life	36,000 hours
Color Temperature	2700K, 3000K
R9	53
R13	95
Halogen Equivalent	35W
Beam Angle	15 degrees

Available Models:

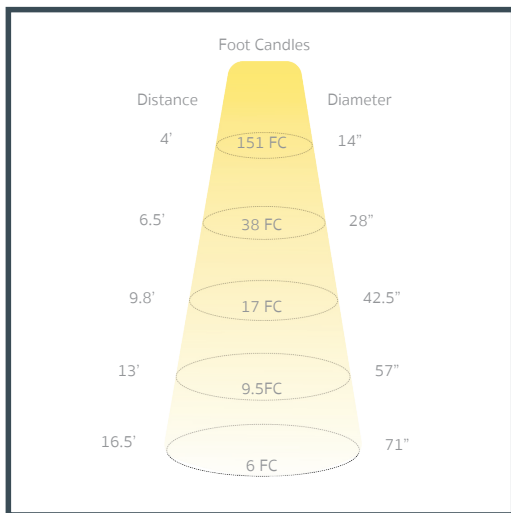
- EA-MR16-5.0W-15D-2790-D (2700K)
- EA-MR16-5.0W-15D-3090-D (3000K)

Dimming:

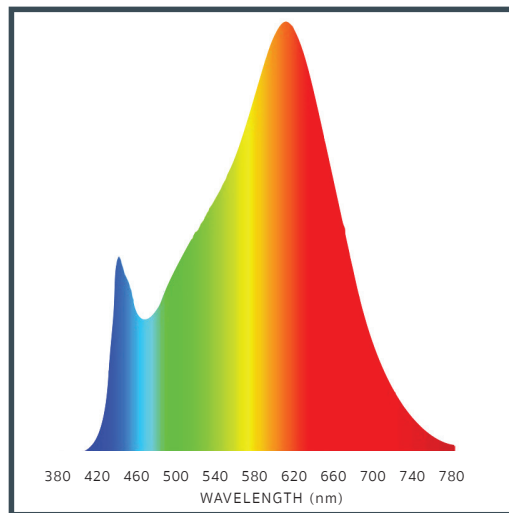
- Dimmable with most magnetic and electronic LED compatible transformers
- Dimmable with most MLV and ELV dimmers



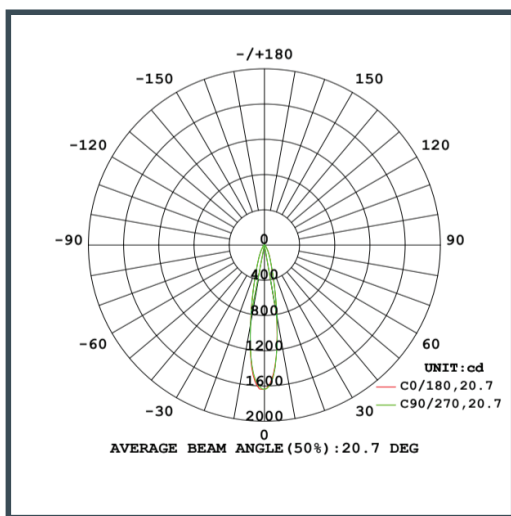
CANDELA DISTRIBUTION



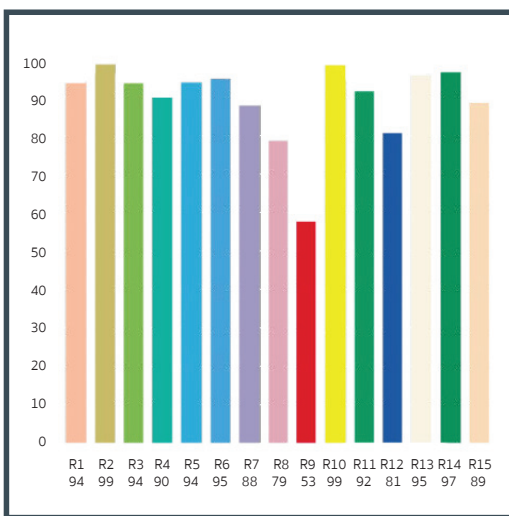
SPECTRAL DISTRIBUTION



LUMINOUS INTENSITY



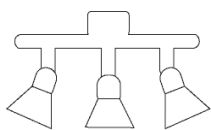
CRI VALUES R1-R15



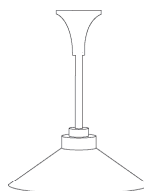
APPLICATIONS

Because of their small size, ability to be enclosed and numerous combinations of options, our MR16 can be used in a variety of applications. Here are a few common ones.

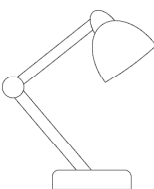
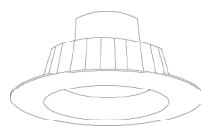
TRACK LIGHTING



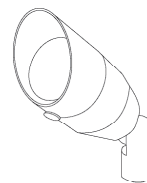
PENDANTS



RECESSED LIGHTING



TASK LIGHTING



LANDSCAPE LIGHTING

MR16 / GU5.3

5.0W - 24°

SPECIFICATIONS & TECHNICAL DATA

The 12V EmeryAllen MR16 retrofit lamp is an energy efficient alternative to halogen MR16 lamps. It offers similar light output to a 12V, 35W incandescent (300-450lm) and is suitable for use in most 12V GU5.3 MR16 fixtures.

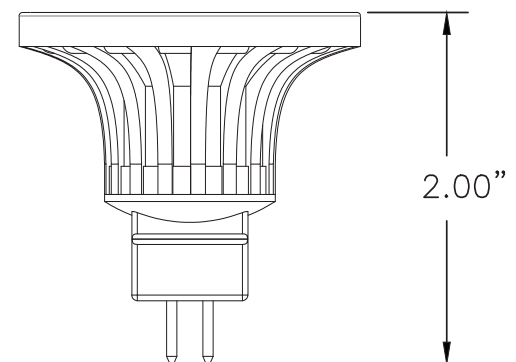
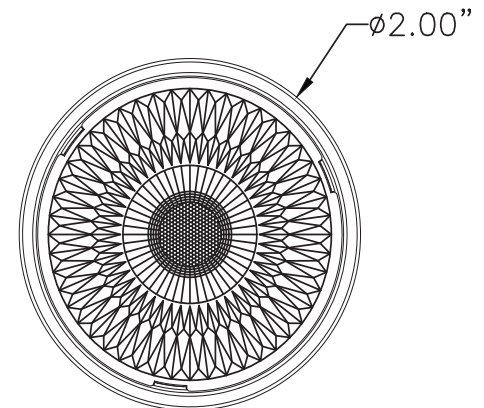
Base Type	GU5.3
Material	Ceramic + PC
Input Voltage	12V AC
Wattage	4.87
Volt-Amperes (VA)	5.37W
CRI	92
Brightness	494 lumens
Lumens/Watt	101
Life	36,000 hours
Color Temperature	2700K, 3000K
R9	53
R13	95
Halogen Equivalent	35W
Beam Angle	24 degrees

Available Models:

- EA-MR16-5.0W-24D-2790-D (2700K)
- EA-MR16-5.0W-24D-3090-D (3000K)

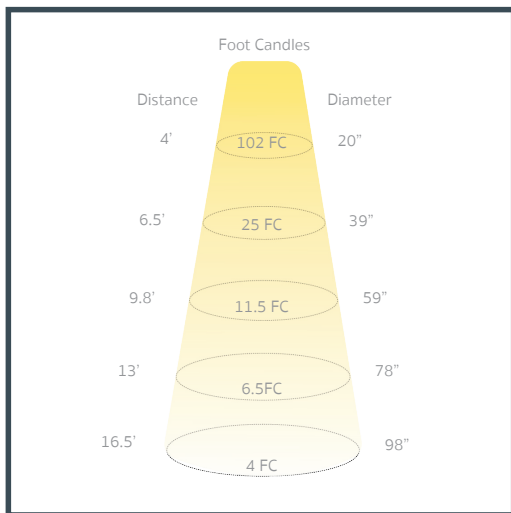
Dimming:

- Dimmable with most magnetic and electronic LED compatible transformers
- Dimmable with most MLV and ELV dimmers

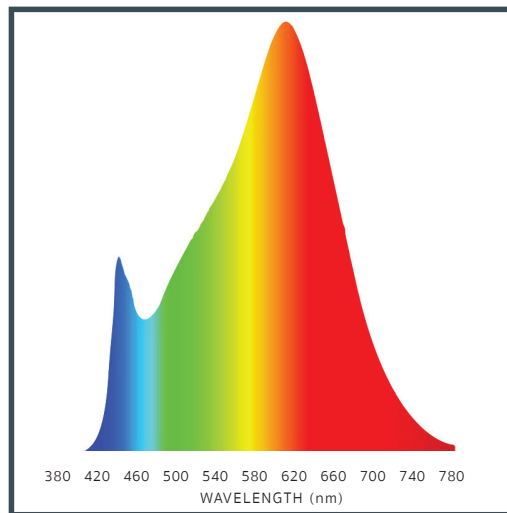


MR16 / GU5.3 / 5.0W / 24°

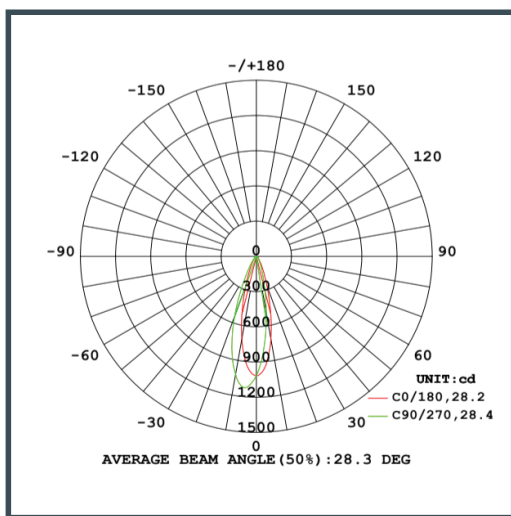
CANDELA DISTRIBUTION



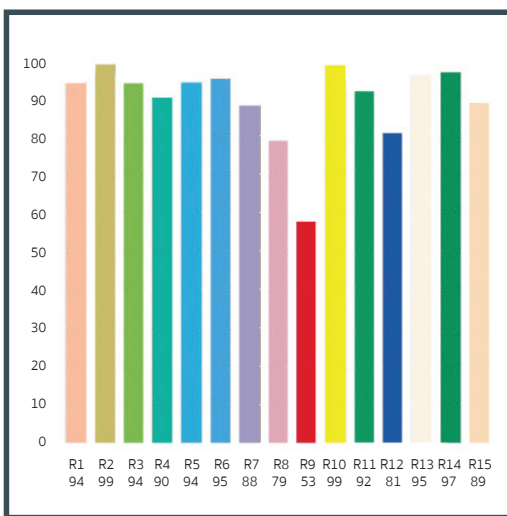
SPECTRAL DISTRIBUTION



LUMINOUS INTENSITY



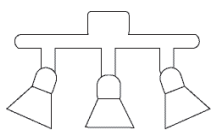
CRI VALUES R1-R15



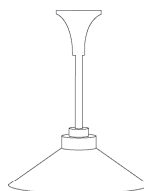
APPLICATIONS

Because of their small size, ability to be enclosed and numerous combinations of options, our MR16 can be used in a variety of applications. Here are a few common ones.

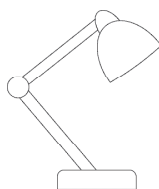
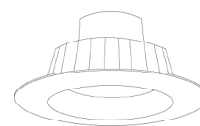
TRACK LIGHTING



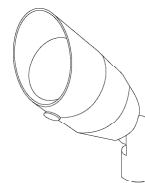
PENDANTS



RECESSED LIGHTING



TASK LIGHTING



LANDSCAPE LIGHTING

MR16 / GU5.3

5.0W - 36°

SPECIFICATIONS & TECHNICAL DATA

The 12V EmeryAllen MR16 retrofit lamp is an energy efficient alternative to halogen MR16 lamps. It offers similar light output to a 12V, 35W incandescent (300-450lm) and is suitable for use in most 12V GU5.3 MR16 fixtures.

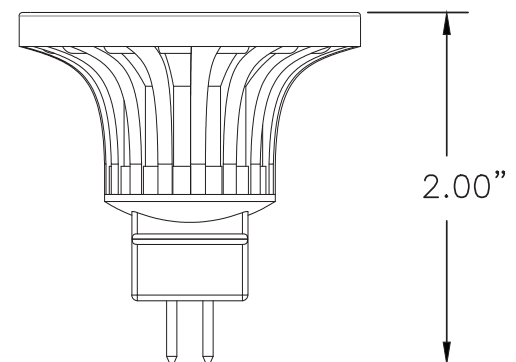
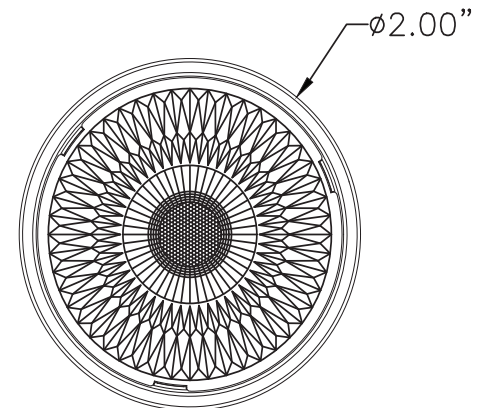
Base Type	GU5.3
Material	Ceramic + PC
Input Voltage	12V AC
Wattage	4.68
Volt-Amperes (VA)	5.21W
CRI	92
Brightness	495 lumens
Lumens/Watt	105
Life	36,000 hours
Color Temperature	2700K, 3000K
R9	53
R13	95
Halogen Equivalent	35W
Beam Angle	36 degrees

Available Models:

- EA-MR16-5.0W-36D-2790-D (2700K)
- EA-MR16-5.0W-36D-3090-D (3000K)

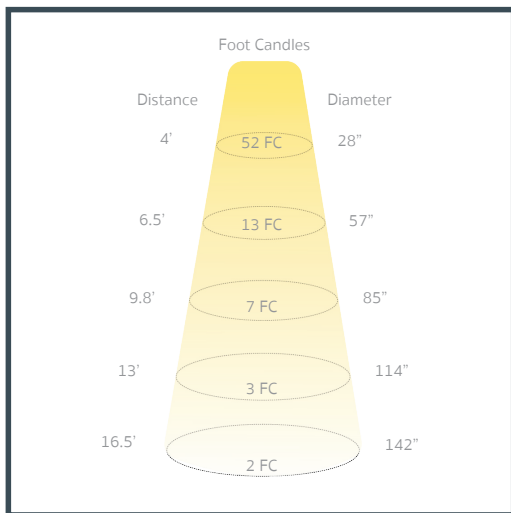
Dimming:

- Dimmable with most magnetic and electronic LED compatible transformers
- Dimmable with most MLV and ELV dimmers

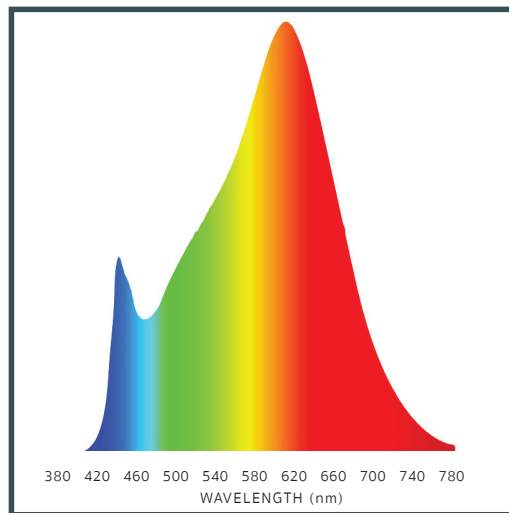


MR16 / GU5.3 / 5.0W / 36°

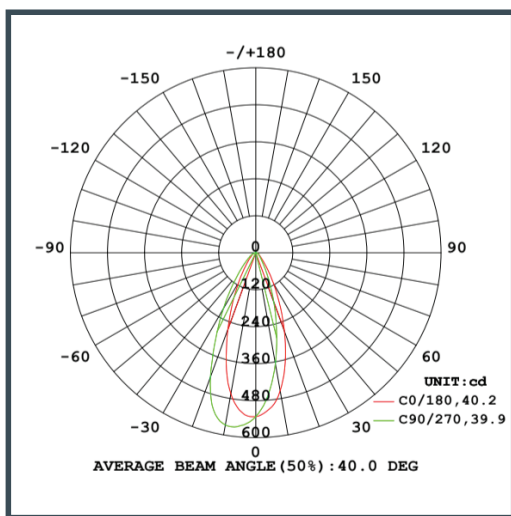
CANDELA DISTRIBUTION



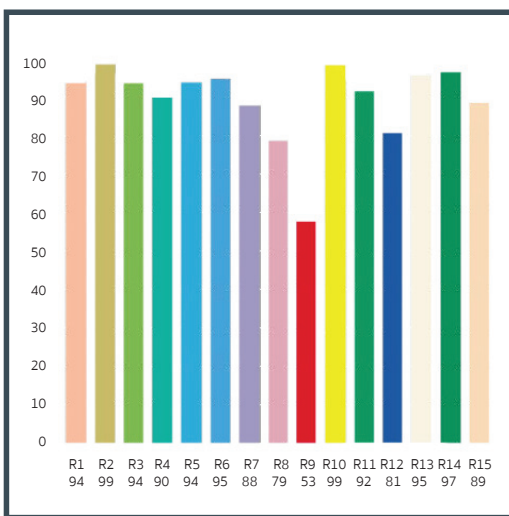
SPECTRAL DISTRIBUTION



LUMINOUS INTENSITY



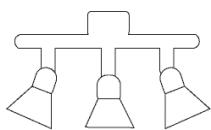
CRI VALUES R1-R15



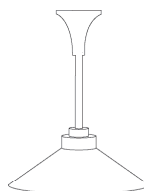
APPLICATIONS

Because of their small size, ability to be enclosed and numerous combinations of options, our MR16 can be used in a variety of applications. Here are a few common ones.

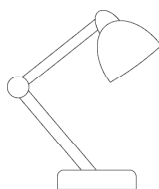
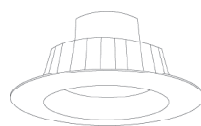
TRACK LIGHTING



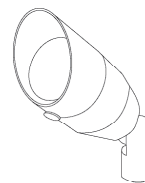
PENDANTS



RECESSED LIGHTING



TASK LIGHTING



LANDSCAPE LIGHTING

MR16 / GU5.3

5.0W - 60°

SPECIFICATIONS & TECHNICAL DATA

The 12V EmeryAllen MR16 retrofit lamp is an energy efficient alternative to halogen MR16 lamps. It offers similar light output to a 12V, 35W incandescent (300-450lm) and is suitable for use in most 12V GU5.3 MR16 fixtures.

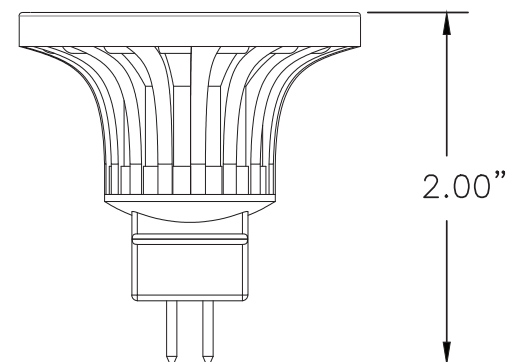
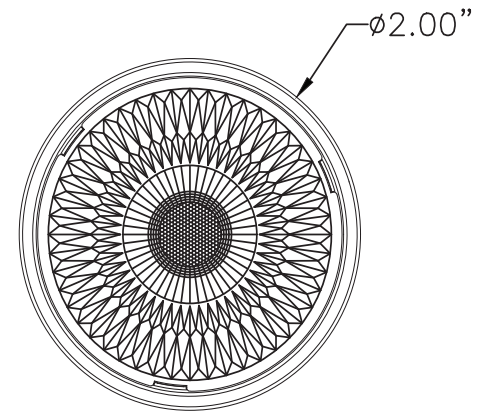
Base Type	GU5.3
Material	Ceramic + PC
Input Voltage	12V AC
Wattage	4.93
Volt-Amperes (VA)	5.24W
CRI	92
Brightness	507 lumens
Lumens/Watt	102
Life	36,000 hours
Color Temperature	2700K, 3000K 4000K, 5700K
R9	53
R13	95
Halogen Equivalent	35W
Beam Angle	60 degrees

Available Models:

- EA-MR16-5.0W-60D-2790-D (2700K)
- EA-MR16-5.0W-60D-3090-D (3000K)
- EA-MR16-5.0W-60D-4090-D (4000K)
- EA-MR16-5.0W-60D-5790-D (5700K)

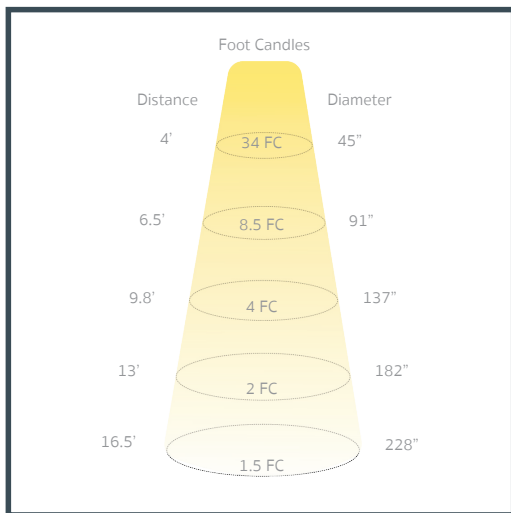
Dimming:

- Dimmable with most magnetic and electronic LED compatible transformers
- Dimmable with most MLV and ELV dimmers

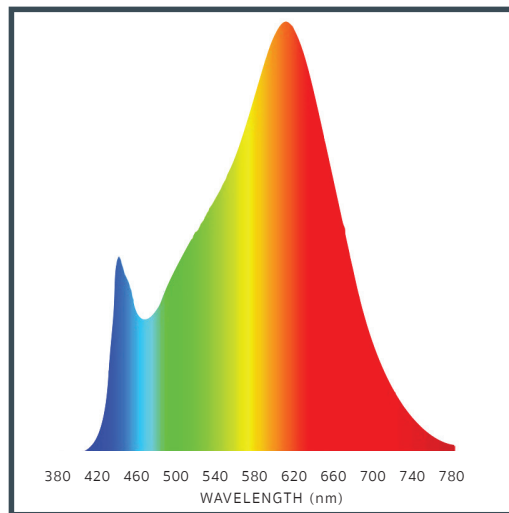


MR16 / GU5.3 / 5.0W / 60°

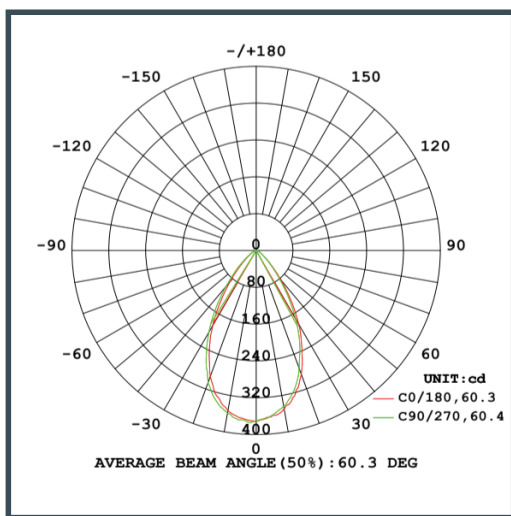
CANDELA DISTRIBUTION



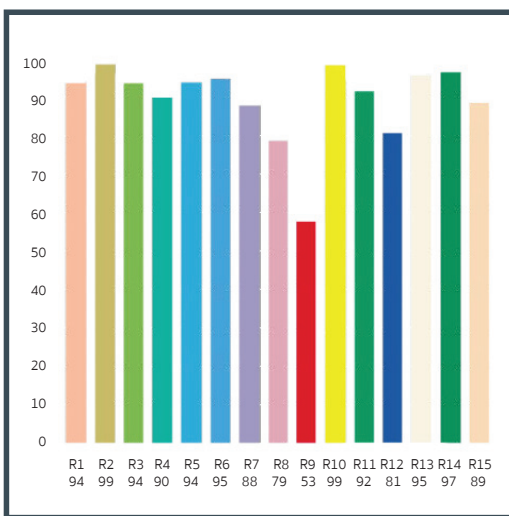
SPECTRAL DISTRIBUTION



LUMINOUS INTENSITY



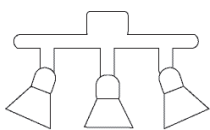
CRI VALUES R1-R15



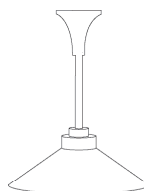
APPLICATIONS

Because of their small size, ability to be enclosed and numerous combinations of options, our MR16 can be used in a variety of applications. Here are a few common ones.

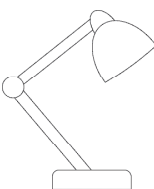
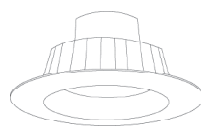
TRACK LIGHTING



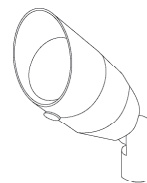
PENDANTS



RECESSED LIGHTING



TASK LIGHTING



LANDSCAPE LIGHTING

MR16 / GU5.3

5.0W - 120°

SPECIFICATIONS & TECHNICAL DATA

The 12V EmeryAllen MR16 retrofit lamp is an energy efficient alternative to halogen MR16 lamps. It offers similar light output to a 12V, 35W incandescent (300-450lm) and is suitable for use in most 12V GU5.3 MR16 fixtures.

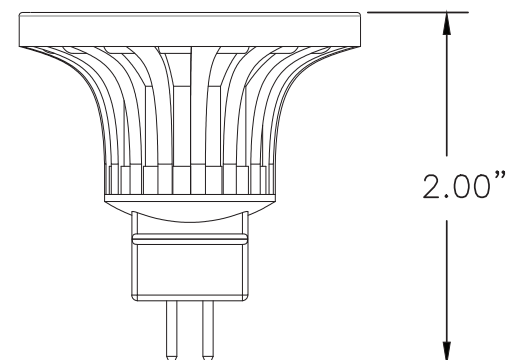
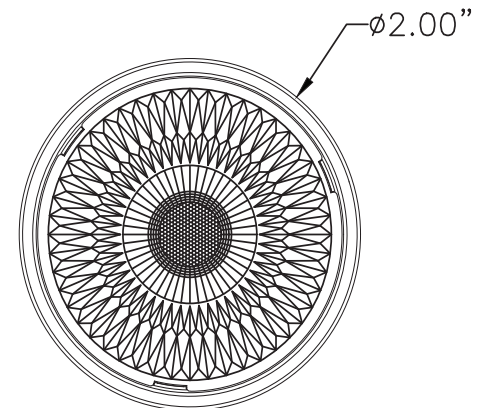
Base Type	GU5.3
Material	Ceramic + PC
Input Voltage	12V AC
Wattage	4.75
Volt-Amperes (VA)	5.26W
CRI	92
Brightness	449 lumens
Lumens/Watt	94
Life	36,000 hours
Color Temperature	2700K, 3000K 4000K, 5700K
R9	53
R13	95
Halogen Equivalent	35W
Beam Angle	120 degrees

Available Models:

- EA-MR16-5.0W-120D-2790-D (2700K)
- EA-MR16-5.0W-120D-3090-D (3000K)
- EA-MR16-5.0W-120D-4090-D (4000K)
- EA-MR16-5.0W-120D-5790-D (5700K)

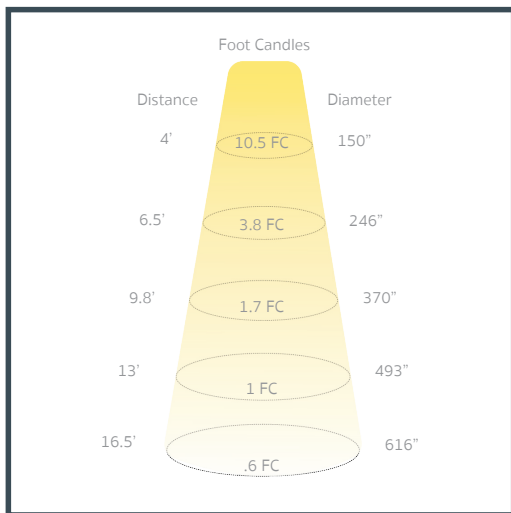
Dimming:

- Dimmable with most magnetic and electronic LED compatible transformers
- Dimmable with most MLV and ELV dimmers

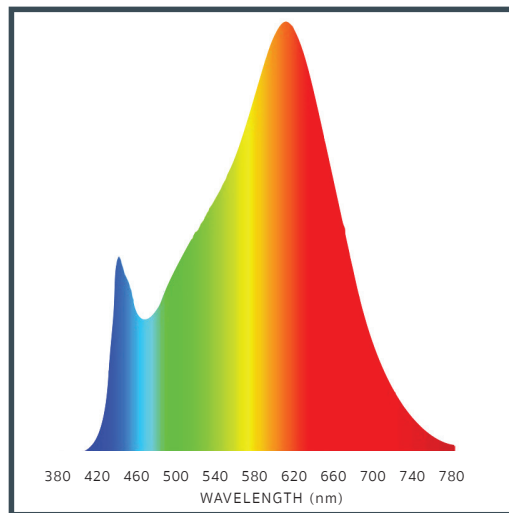


MR16 / GU5.3 / 5.0W / 120°

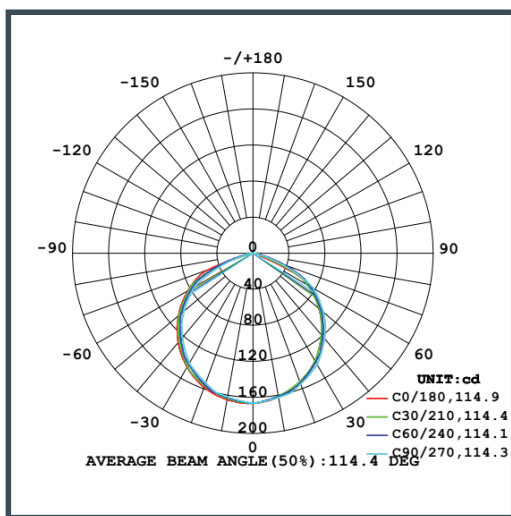
CANDELA DISTRIBUTION



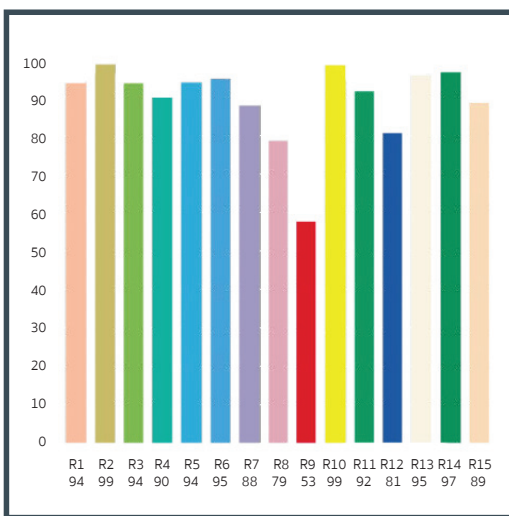
SPECTRAL DISTRIBUTION



LUMINOUS INTENSITY



CRI VALUES R1-R15



APPLICATIONS

Because of their small size, ability to be enclosed and numerous combinations of options, our MR16 can be used in a variety of applications. Here are a few common ones.

