

# MR16 / GU5.3

## 7.0W - 36° DTW

### 1800K-2700K

#### SPECIFICATIONS & TECHNICAL DATA

The 12V EmeryAllen MR16 DTW (Dim to Warm) bulb offers dimmer controlled color temperature adjustment. This smooth temperature transition mimics the natural color shift of dimmed incandescent bulbs.

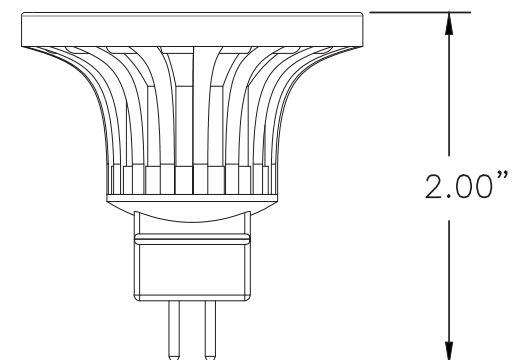
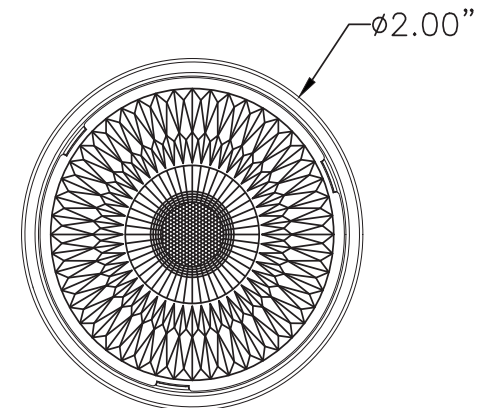
<b>Base Type</b>	GU5.3
<b>Material</b>	Ceramic + PC
<b>Input Voltage</b>	12V AC
<b>Wattage</b>	6.27
<b>Volt-Amperes (VA)</b>	6.67
<b>CRI</b>	92
<b>Brightness</b>	475 lumens
<b>Lumens/Watt</b>	75
<b>Color Temperature Range</b>	1800K - 2700K
<b>R9</b>	53
<b>R13</b>	95
<b>Halogen Equivalent</b>	50W
<b>Beam Angle</b>	36 degrees
<b>Life</b>	36,000 hours
<b>Warranty</b>	Limited Lifetime*

#### Available Models:

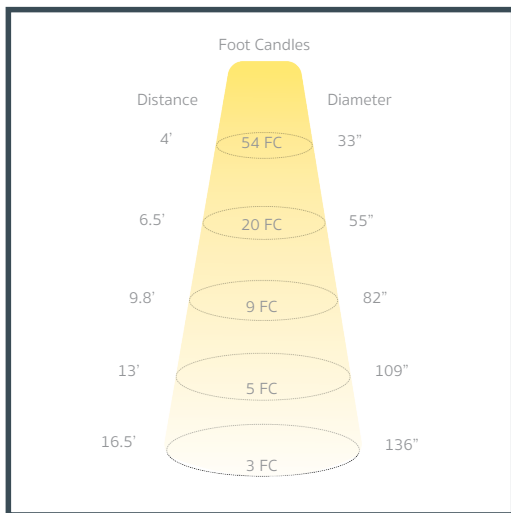
- EA-MR16-7.0W-36D-DTW-2718-D

#### Dimming:

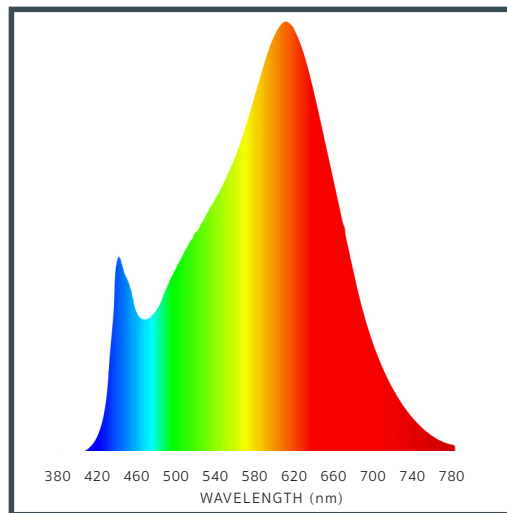
- Dimmable with most magnetic and electronic LED compatible transformers
- Dimmable with most MLV and ELV dimmers



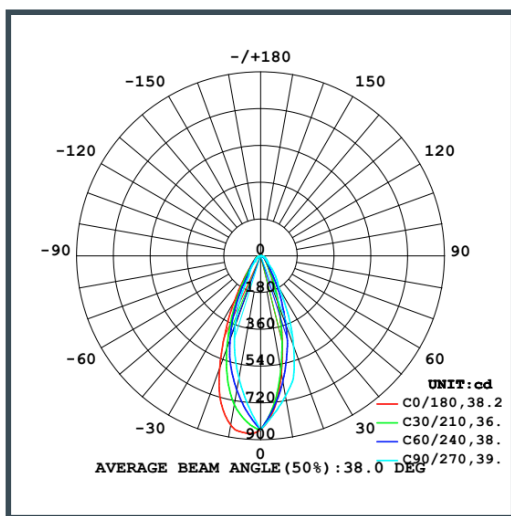
## CANDELA DISTRIBUTION



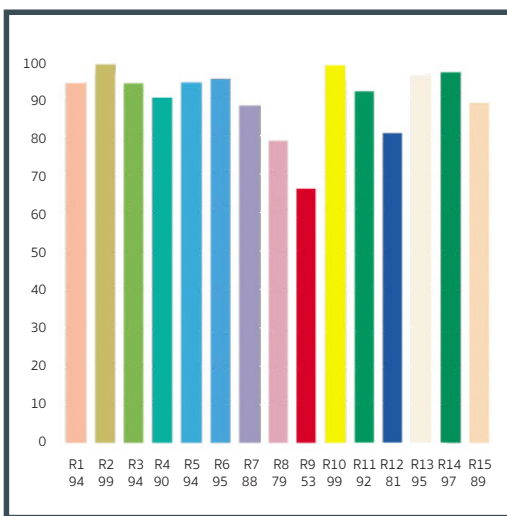
## SPECTRAL DISTRIBUTION



## LUMINOUS INTENSITY



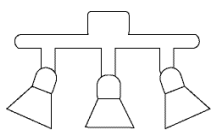
## CRI VALUES R1-R15



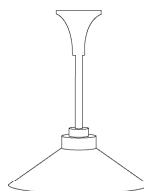
## APPLICATIONS

Because of their small size, ability to be enclosed and numerous combinations of options, our MR16 can be used in a variety of applications. Here are a few common ones.

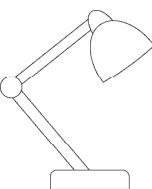
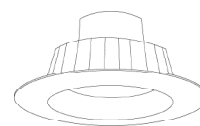
TRACK LIGHTING



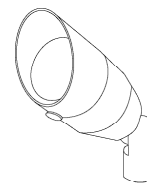
PENDANTS



RECESSED LIGHTING



TASK LIGHTING



LANDSCAPE LIGHTING