

G4 2.0W WAFER

SPECIFICATIONS & TECHNICAL DATA

The 12V EmeryAllen G4 retrofit lamp is an energy efficient alternative to incandescent G4 base lamps. It offers similar light output to a 12V, 15W incandescent (170lm) and is suitable for use in most 12V G4 fixtures.

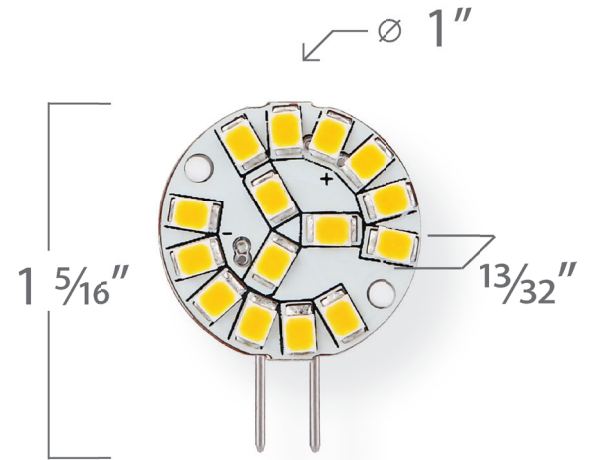
Base Type	G4
Material	Ceramic + PC
Input Voltage	12V AC/DC
Wattage	2.0
CRI	90+
Brightness	200 lumens
Lumens/Watt	100
Color Temperature	2700K, 3000K, +
R9	52
R13	96
Halogen Equivalent	15W
Beam Angle	180 degrees
Life	25,000 hours
Warranty	Limited Lifetime*

Available Models:

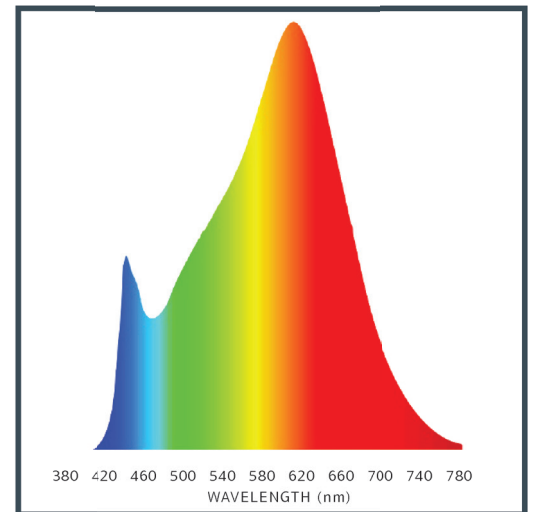
- EA-G4-2.0W-003-279F (2700K)
- EA-G4-2.0W-003-309F (3000K)

Dimming:

- Dimmable with most magnetic and electronic LED compatible transformers
- Dimmable with most MLV and ELV dimmers



SPECTRAL DISTRIBUTION



CRI VALUES R1-R15

