

INSTALLATION INSTRUCTION:

PREPARATION:

REMOTE LED DRIVER / POWER SUPPLY ENCLOSURE SHOULD BE MECHANICALLY MOUNTED TO BUILDING STRUCTURE SUCH AS A STUD. PRE-CONSTRUCTED RECESSED CAVITY SHOULD BE A SNUG FIT TO TOP AND BOTH SIDES OF OUTER CHASSIS, UP TO 1/16" CLEARANCE PER SIDE IS ALLOWED. WIRING TYPE AND METHOD OF WIRING THROUGH THE WALL OR CEILING SHOULD BE IN ACCORDANCE WITH LOCAL CODES, MOST CURRENT EDITION OF NFPA 70, AND NEC CHAPTER 3 WIRING METHOD.

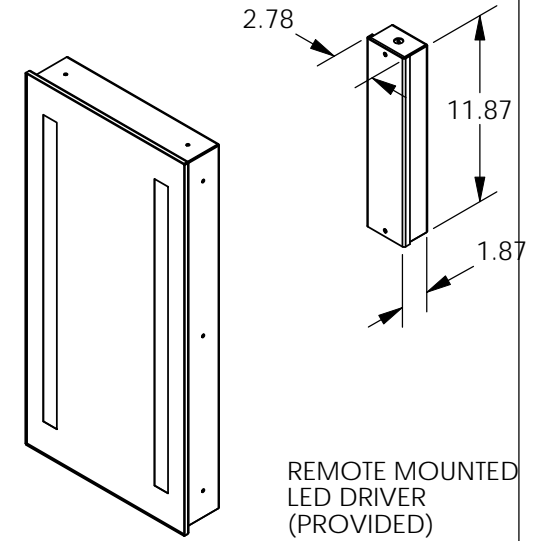
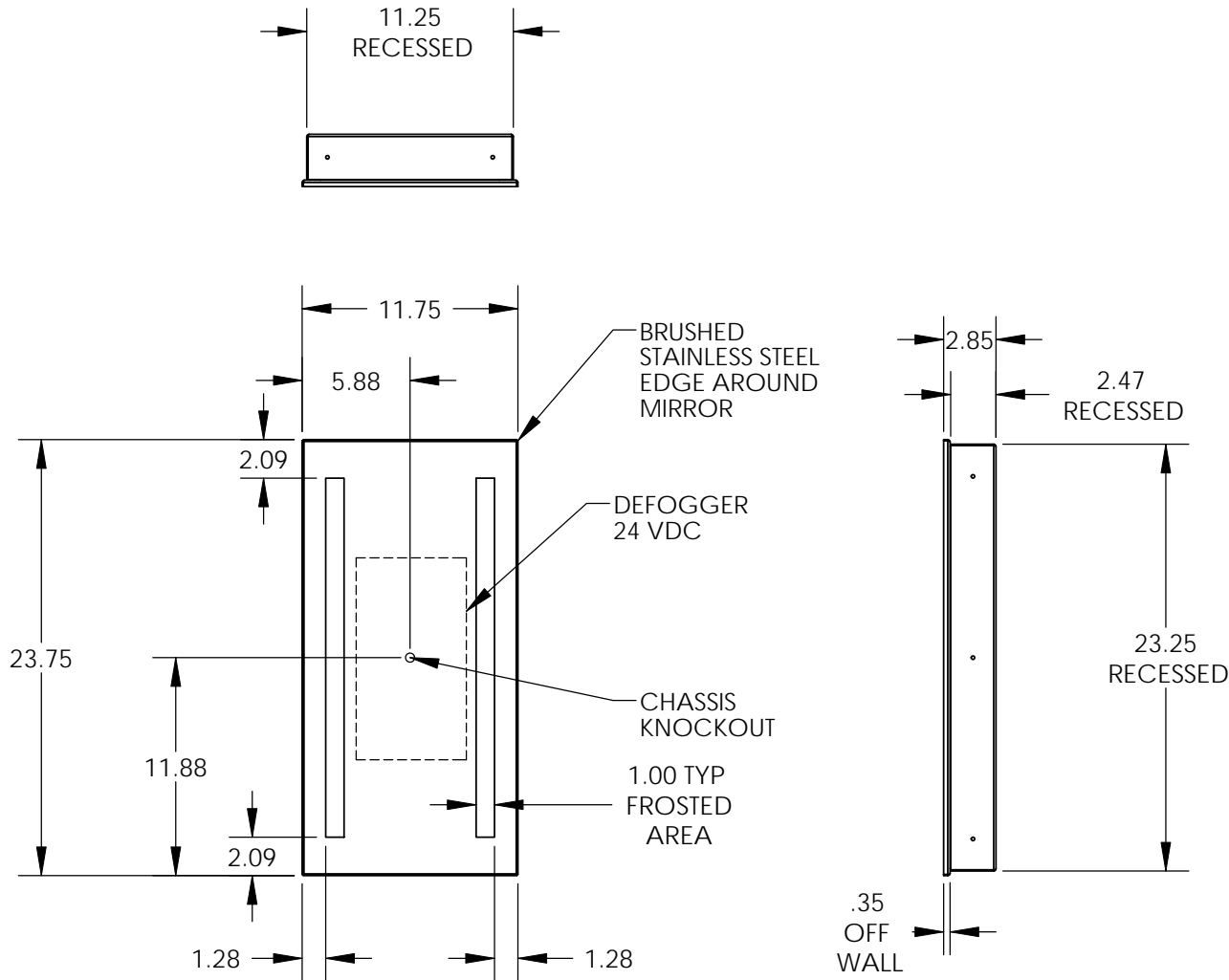
INSTALLATION:

- 1- AFTER LED DRIVER ENCLOSURE HAS BEEN SECURELY MOUNTED, BRING BRANCH CIRCUIT SUPPLY POWER FROM A J-BOX TO REMOTE ENCLOSURE AND SPLICE WIRES INSIDE, CONNECT GROUND WIRE TO GROUND STUD ON ENCLOSURE. THEN CONNECT THE OUTPUT WIRES OF LED DRIVER / POWER SUPPLY, POSITIVE SHOULD BE CONNECTED TO RED AND NEGATIVE SHOULD BE CONNECTED TO BLUE OR BLACK, WHICH ARE CARRIED THROUGH WALL OR CEILING WITH THE ABOVE RECOMMENDED METHOD TO MIRROR OR RECESSED LOCATION.
- 2- BRING OUTER CHASSIS TO MOUNTING LOCATION AND PUT LED DRIVER / POWER SUPPLY WIRES THROUGH THE STRAIN RELIEF ON CHASSIS. INSERT THEM TO THE QUICK DISCONNECT (RED COLOR WIRE IS 12 VDC POSITIVE AND BLACK/BLUE IS 12 VDC NEGATIVE) LED LIGHTS AND DEFOGGER ARE ON THE SAME CIRCUIT. PLEASE NOTE THAT LED DRIVER / POWER SUPPLY IS REMOTE MOUNTED AND IT MUST BE WITH IN 25 FEET FROM THE UNIT.
- 3- INSTALL OUTER CHASSIS TO RECESSED WALL WITH #8 X 1" SCREWS, USING HOLES ON THE TOP AND BOTH SIDES. THEN APPLY BEAD OF CLEAR SILICON ALL AROUND TO SEAL CHASSIS TO WALL.
- 4- BRING INNER CHASSIS TO LOCATION AND SECURE QUICK DISCONNECT BY INSERTING TO ONE ANOTHER. TEST LED LIGHT, AND THEN INSERT INNER CHASSIS TO OUTER CHASSIS. MAKE SURE THE MAGNETS ARE ENGAGED AND THE CHASSIS IS SECURE IN PLACE. THEN APPLY BEAD OF CLEAR SILICON ALL AROUND MIRROR. ALLOW SILICON TO CURE COMPLETELY BEFORE USE. REFER TO INSTRUCTIONS ON SILICON TUBE.

*BY APPROVING THIS DRAWING YOU ARE ENSURING THAT THESE DIMENSIONS HAVE BEEN FIELD VERIFIED.

APPROVED BY: _____ DATE: _____

REVISION REQUESTED



SPECIFICATION:

SPECIFY THE LIGHTED MIRROR IN SHOWER AREA.

THE MIRROR IS DESIGNED TO REPLACE A 12" X 24" TILE.

THE CABLE IS BROUGHT IN THROUGH THE CHASSIS KNOCKOUT. INSERT GROUND WIRE IN GROUNDED CONNECTOR. INSERT LOW VOLTAGE HOT AND NEUTRAL WIRE INTO LUMINAIRE DISCONNECT. ELECTRICAL POWER SHOULD BE CONTROLLED BY A LIGHT SWITCH.

FIXTURE SHOULD BE MOUNTED TO A MECHANICALLY SOUND SURFACE SUCH AS WALL STUDS TO SUPPORT ITS WEIGHT. MOUNTING HOLES ARE PROVIDED IN THE CHASSIS.

POWER REQUIREMENTS:

REMOTE MOUNTED LED DRIVER MUST STAY WITHIN 25 FEET OF LIGHTED MIRROR. INSTALL IN A DRY LOCATION

120 V, .33 AMP

LED SPECIFICATION:

NOMINAL WATTAGE: 33.6
 4 X LED MODULES
 AVG RATED LIFE (hrs): 50,000
 CCT (K): 3000

DEFOGGER:
 6.25 WATT

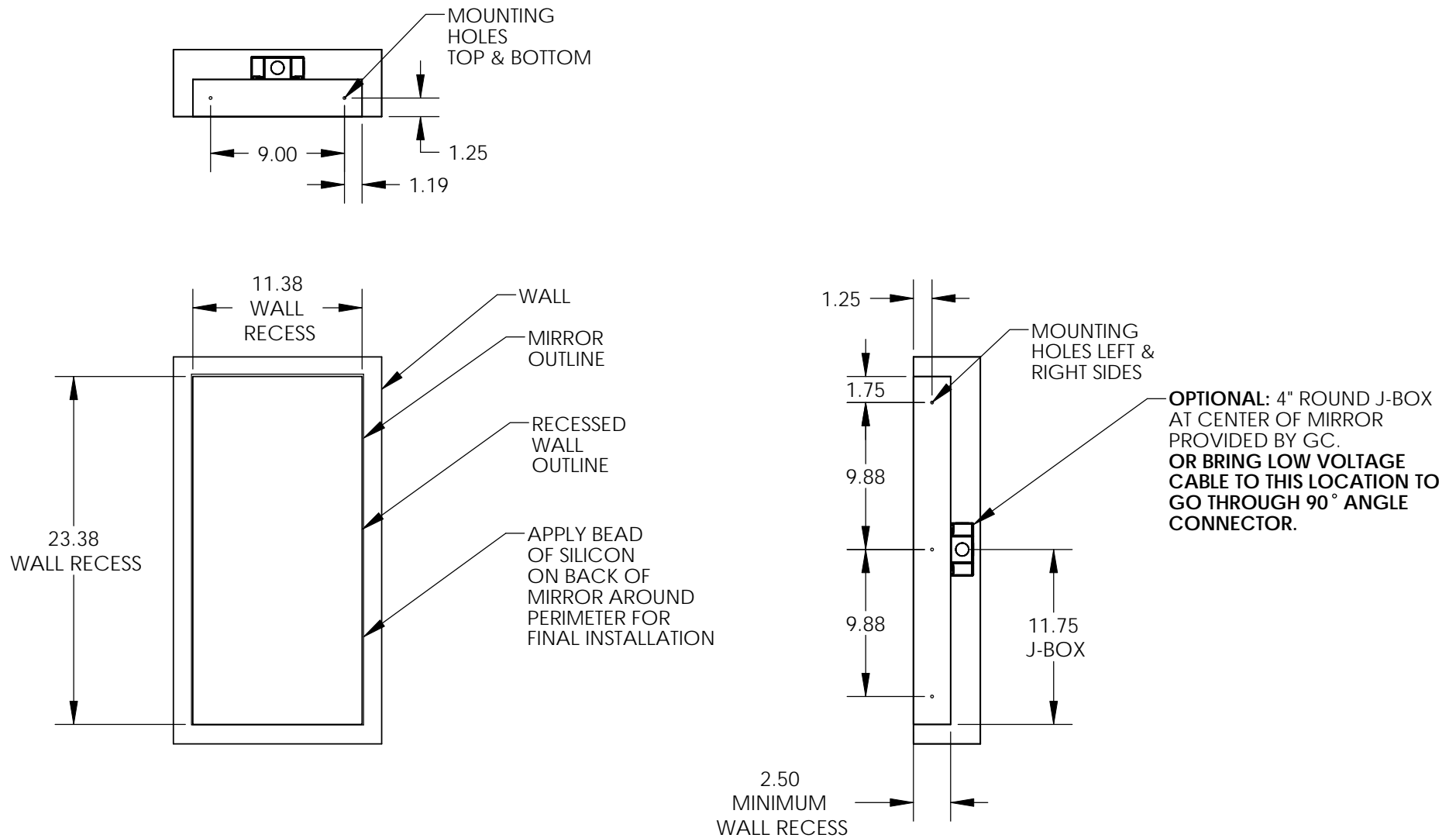
ELECTRIC MIRROR[®] 2012 ISF-11.75X23.75-DF

SALES AID - 2/21/12

PROPRIETARY AND CONFIDENTIAL:

THE INFORMATION CONTAINED IN THIS DRAWING IS THE SOLE PROPERTY OF ELECTRIC MIRROR L.L.C. ANY REPRODUCTION IN PART OR AS A WHOLE WITHOUT THE WRITTEN PERMISSION OF ELECTRIC MIRROR L.L.C. IS PROHIBITED. © 2012 ELECTRIC MIRROR

DIMS IN INCHES	REV. B
SCALE: 1:10	PG.1 OF 2
CONTACT US: consultants@electricmirror.com T+1.425.776.4946	



WALL MOUNTING DETAILS

ELECTRIC MIRROR® 2012 ISF-11.75X23.75-DF

SALES AID - 2/21/12

PROPRIETARY AND CONFIDENTIAL:
 THE INFORMATION CONTAINED IN THIS DRAWING IS THE SOLE PROPERTY OF ELECTRIC MIRROR L.L.C. ANY REPRODUCTION IN PART OR AS A WHOLE WITHOUT THE WRITTEN PERMISSION OF ELECTRIC MIRROR L.L.C. IS PROHIBITED. © 2012 ELECTRIC MIRROR

DIMS IN INCHES	REV. B
SCALE: 1:10	PG.2 OF 2
CONTACT US: consultants@electricmirror.com T+1.425.776.4946	