



**WARNING:**

Risk of electric shock. Before wiring to power supply, turn off electricity at the fuse or circuit breaker box.

**CAUTION:**

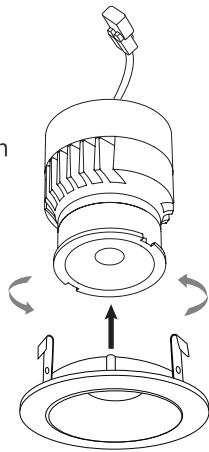
For your safety read and understand instructions completely before starting installation. Installation requires knowledge of luminaires electrical system. If not qualified, DO NOT attempt installation. Contact a qualified electrician if necessary.

**NOTE:** ELK07, ELK08, ELK09, ELK10, or ELK11 Koto™ LED Modules are best compatible with ELCO Housings and other ELCO fixtures

**Koto™ Module to Trims and Recessed Housing Installation Instruction:**

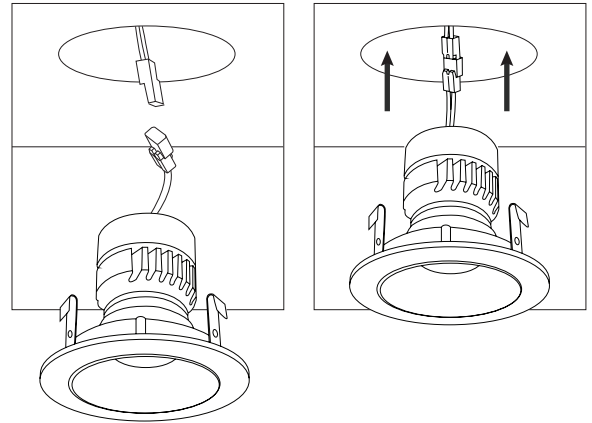
**Step 1**

Install Koto™ Module and trim using twist-on mechanism.



**Step 2**

Mate the connector on module with the connector from recessed housing. Follow by inserting module with trim assembly into housing.



**Koto™ Module to Sylo™ Applications Installation Instruction:**

**Step 1**

Un-Twist the front ring from Sylo™ fixture (surface mount, monopoint, pendant, or track).

**Step 2**

Connect Koto™ LED Module to Sylo fixture using quick connect system. Follow by connecting module and fixture ring using twist-on mechanism

**Step 3**

Twist front ring back to Sylo fixture

