

**NOTE:** ELCO Flush Mount items are best compatible with ELCO housings. For best results, installation should be performed by a professional installer.

If using a maximum adjustability housing, remove collar by removing 3 screws and pulling collar down prior to installing flush mount frame. Re-install collar after flush mount frame is installed.

## Spackle Frame Installation Instructions

### Step 1

After the housing is installed, insert the spackle frame into the hole opening. The collar/neck of the spackle frame should go over the can/collar of the housing.

### Step 2

Secure the spackle frame onto the ceiling by using the drywall screws in the four holes located on the corners of the spackle frame.

**Note:** Drywall screws must not be longer than 3/4".

### Step 3

Apply plaster over the spackle frame without letting any of the plaster into the hole opening of the housing. Use the provided cardboard cutout to cover the hole opening while plastering to avoid getting any plaster into the can or hole opening.

**Disclaimer:** Any plastering or ceiling work must be done by a professional drywall.

### Step 4

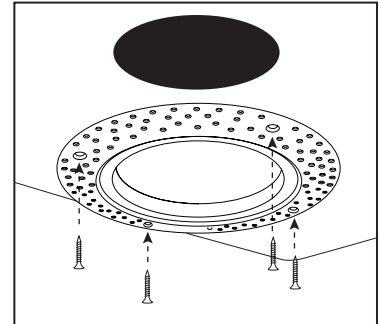
Install the Koto LED Module onto the trim by using the twist-&-lock feature on the module holder ring.

### Step 5

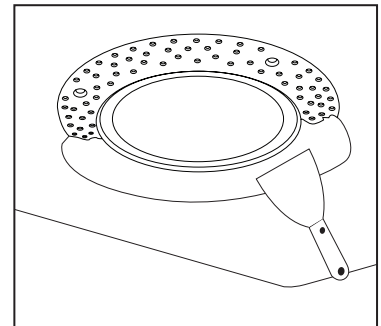
Mate the connector on the Koto LED Module with the connector coming from the housing.

### Step 6

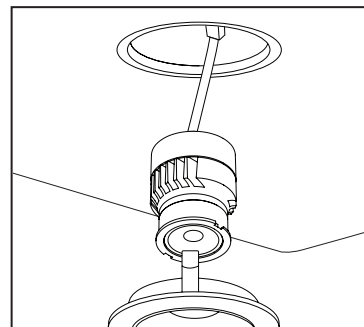
Insert the Koto-trim assembly into the opening of the spackle frame. Push the assembly in all the way until the clips fully engage inside the housing can/collar. Make sure that the trim ring sits flush on the groove/cutout of the spackle that should match exactly with the shape of the trim ring.



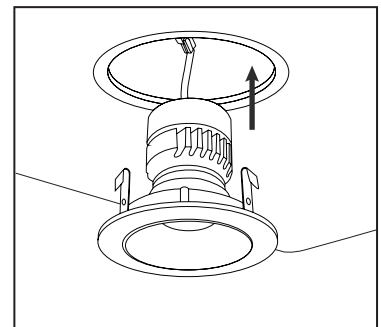
Step 1 & 2



Step 3



Step 4



Step 5 & 6

