

Dyna Linear Suspension

700LSDYNA_ 1.0

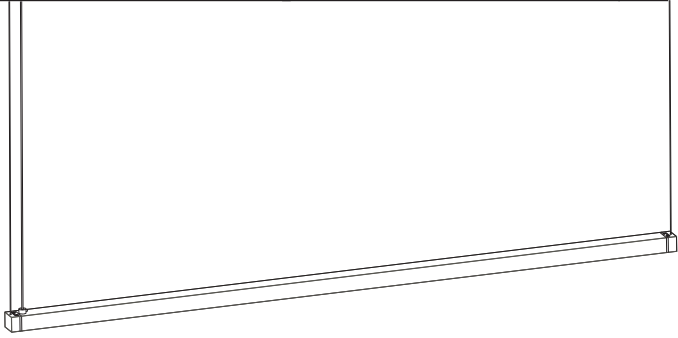


GENERAL PRODUCT INFORMATION: 

This product is suitable for damp locations.

This product may be dimmed with a low-voltage electronic dimmer or triac dimmers.

This instruction shows a typical installation.

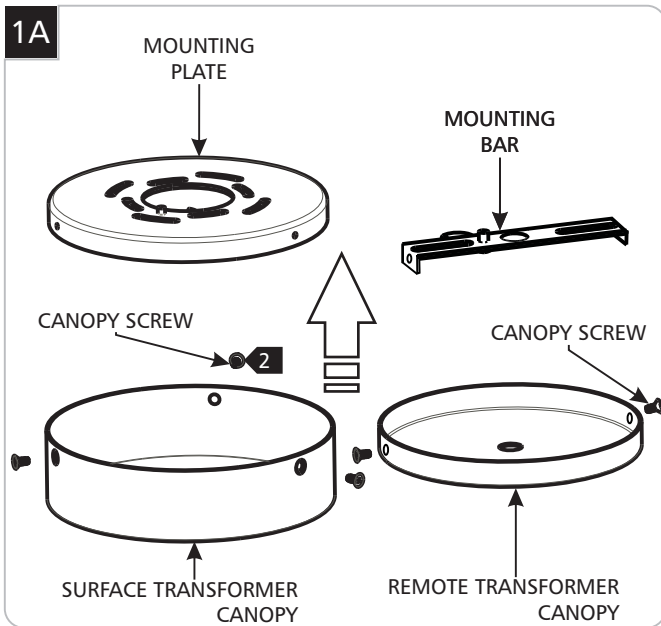


CAUTION - RISK OF FIRE
 This product must be installed in accordance with the applicable installation code by a person familiar with the construction and operation of the product and the hazards involved.
 Use minimum 90°C supply conductors.

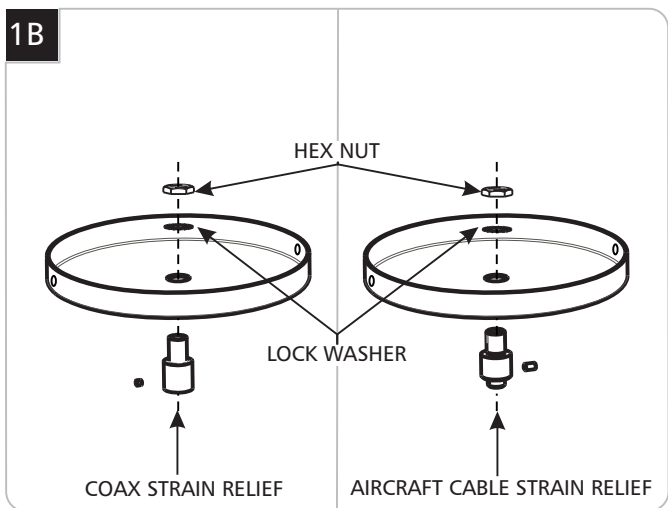
NOTE: Due to the complexity of this fixture, assistance will be needed for installation.

NOTE: This product has several mounting methods. Depending on the availability of the electrical box location and the desired mounting position. First configuration uses one cable post and one canopy with built-in cable post. The other uses two cable posts and one canopy with power cord only. Additionally there is a surface and remote mount transformer options. Use appropriate instructions for installation.

Prepare for installation



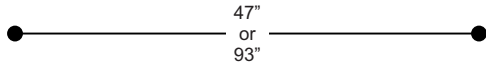
1 Remove the screws from the canopy to remove the mounting plate/bar. (Three screws for the surface mount and two for the remote.)



3 Use the lock washer and hex nut to attach either the coax only strain relief if using two cable supports or the aircraft cable strain relief, depending on the desired fixture configuration.

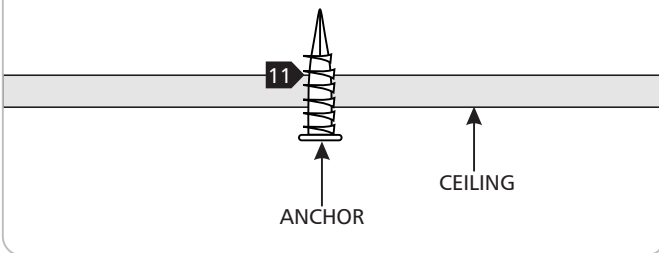
NOTE: The power cord does not support the fixture. For a casual "lazy cord" look, cut the power cord several inches longer than the drop height of the fixture.

1C



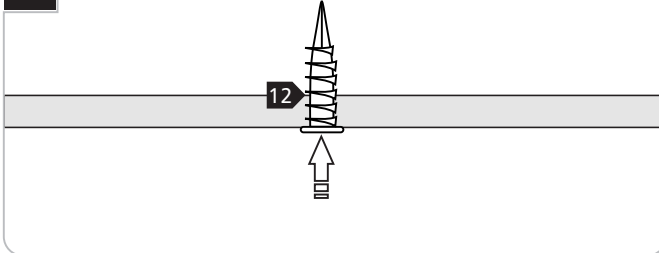
- 5 Mark the cable post location point at 47" or 93" away from the center of the junction box if using one post. Mark both locations for two posts.

1D



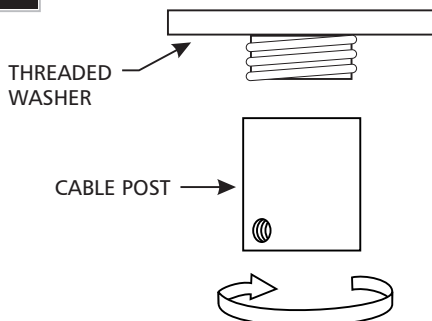
- 6 Tap the anchor at the marked point into the wall up to the threaded portion with a hammer.

1E



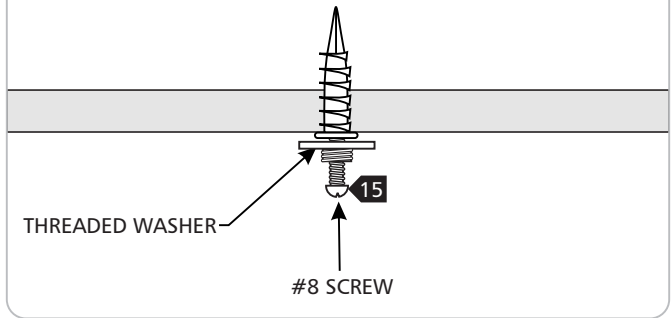
- 7 Screw the anchor in the rest of the way with a Phillips screwdriver.

1F



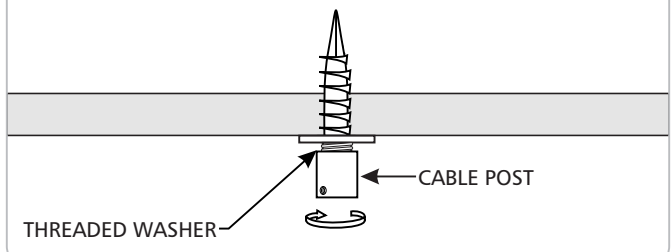
- 8 Unscrew the threaded washer to separate it from the cable post.

1G



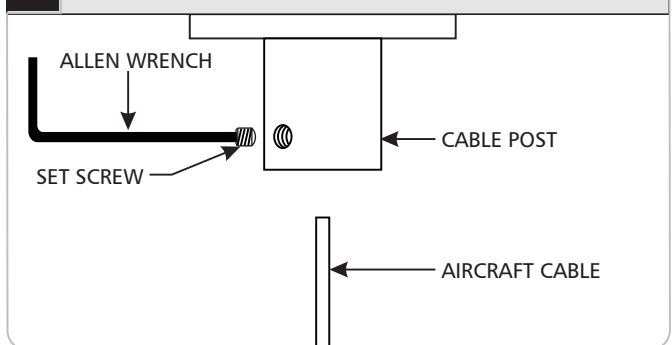
- 9 Screw the threaded washer onto the anchor with the long #8 screw.

1H



- 10 Tightly screw the cable post back onto the threaded washer.

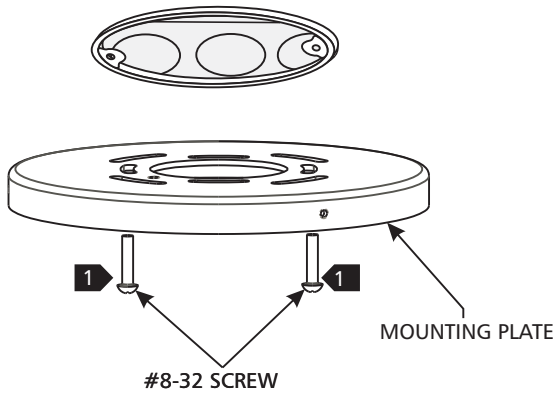
1I



- 11 Determine the desired hanging height and cut aircraft cable to length.
- 12 Feed the aircraft cable into the cable post and tighten the set screw with the provided Allen wrench.
- 13 Repeat Steps 1D - 1H for the other post if using two.

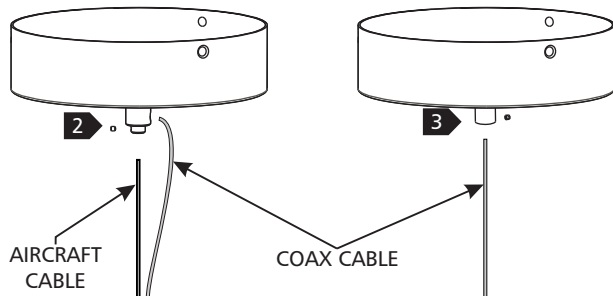
Install Surface Mount Canopy

2A



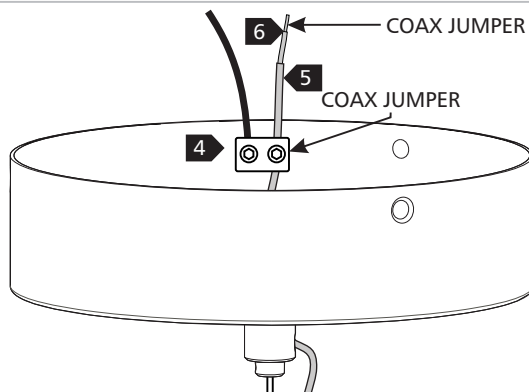
- 1 Secure the mounting plate to the junction box with #8-32 screws.

2B



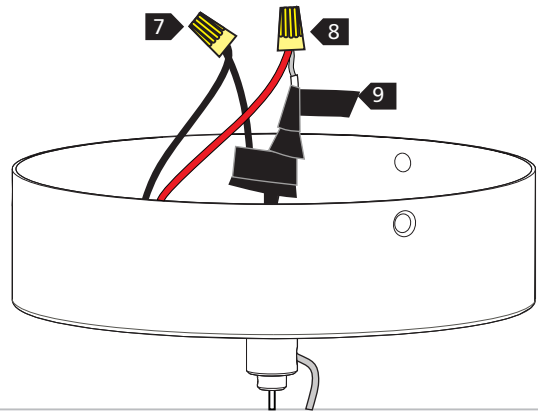
- 2 If using one cable post insert the aircraft cable into the canopy port and secure with the provided set screw. Feed the coaxial cable through the hole on the side of the port into the canopy.
- 3 If using two cable post feed the coax through the center port and secure with the provided set screw at the desired length.

2C



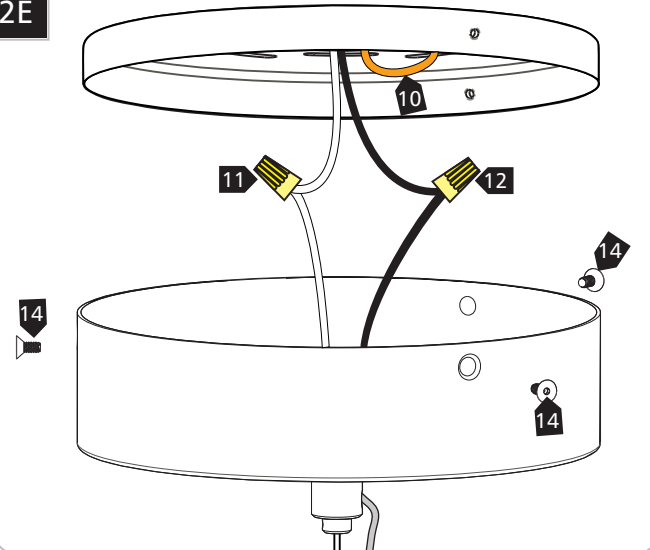
- 4 Slide the coax jumper over the coax and fasten it in place with provided set screw.
- 5 Cut the coaxial cable to the desired length. (Leave longer than the aircraft cables for a lazy cable look.)
- 6 Slide back the braiding to expose the inner wire and strip some of the inner jacket.

2D



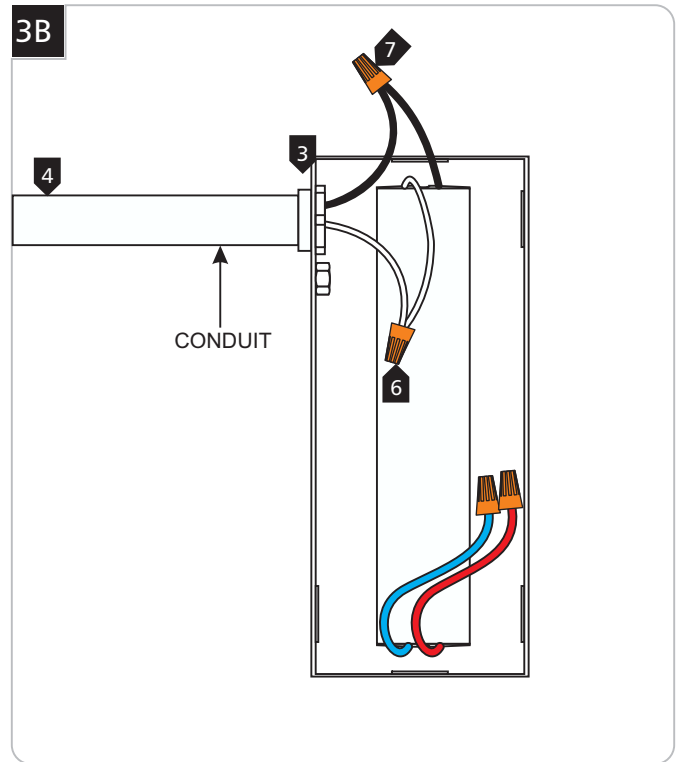
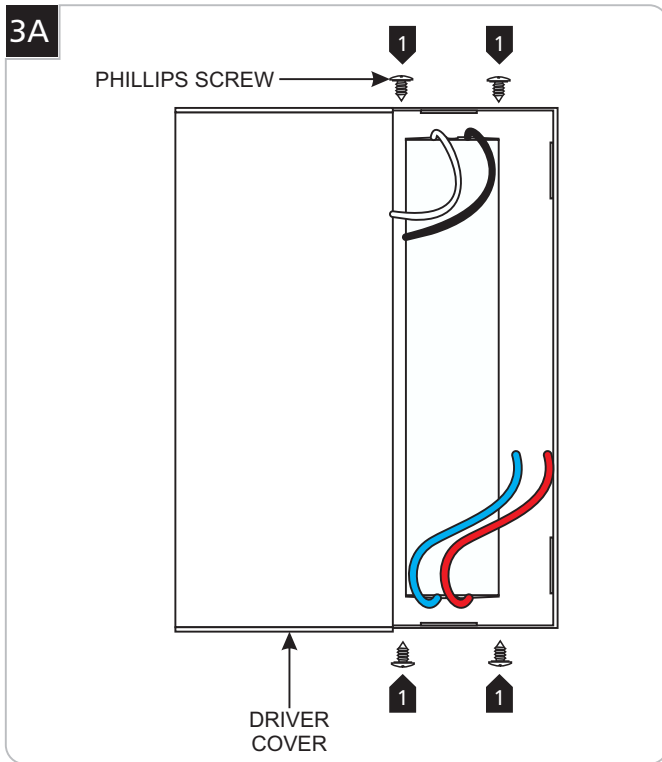
- 7 Connect the black driver wire to the black wire coming from the coaxial jumper.
- 8 Connect the red driver wire to the exposed inner wire
- 9 Wrap the coaxial cable and coax jumper with electrical tape, ensuring no part can make contact with the canopy.

2E



- 10 Connect the mounting plate to a suitable ground in accordance with local electrical codes.
- 11 Connect the white wire to the neutral power line wire with a wire nut.
- 12 Connect the black wire to the hot power line wire with a wire nut.
- 13 Neatly place all wires and wire nut connections into the canopy.
- 14 Place the canopy onto the mounting plate and secure with the canopy screws. (Reversal of step 1A.)

Install Remote Driver and Canopy

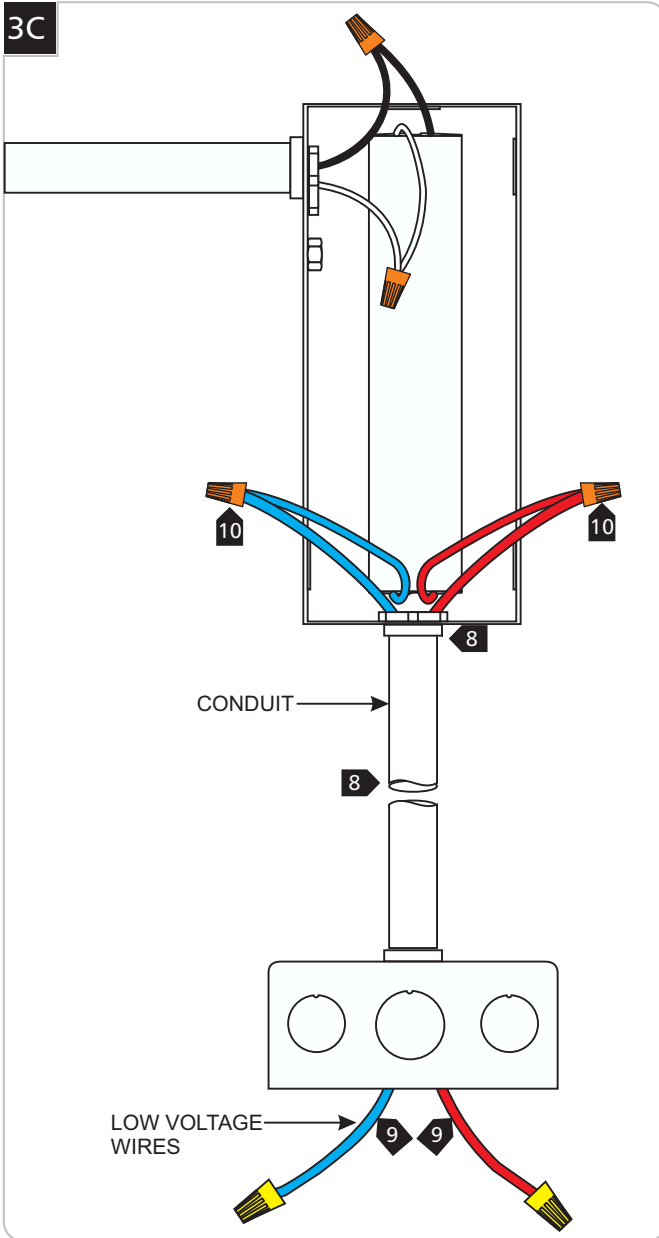


NOTE: For the 4' fixture the MAX wire length is 100ft from the driver to the junction box with 18AWG. for the 8' fixture the MAX wire length is 50ft from the driver to the junction box with 18AWG.

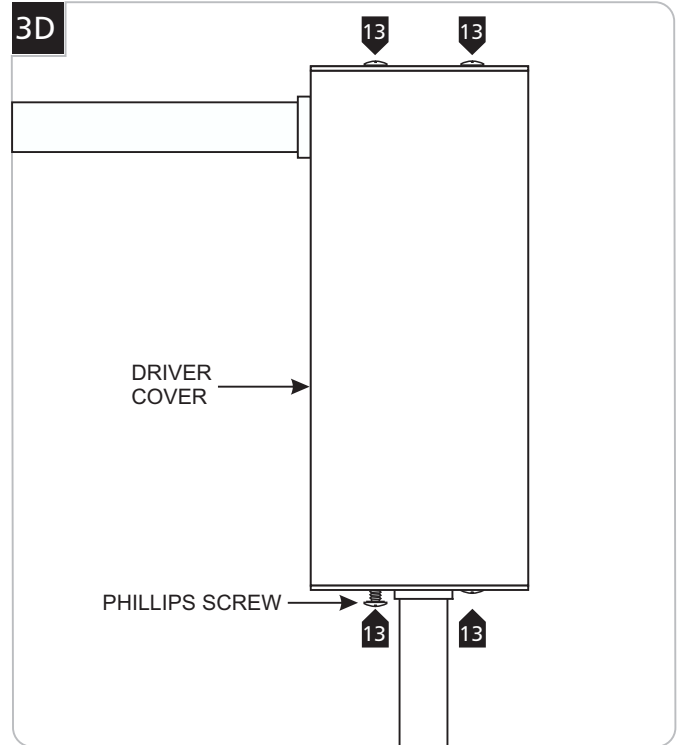
NOTE: Other wire sizes that comply with electrical code can be used, but may result in an increased voltage drop and reduced lamp intensity.

- 1 Remove the four Phillips screws to remove the driver cover.

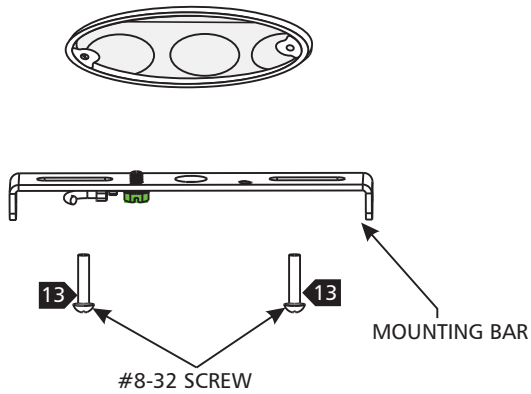
- 2 Secure the driver housing in place (hardware not included).
- 3 Install a conduit and power line wires from the panel to the remote driver.
- 4 **Do not** connect the power line wires to the panel at this time.
- 5 Make sure the driver housing is grounded in accordance with local electrical codes.
- 6 Connect the driver white wire to the neutral power line wire with a wire nut.
- 7 Connect the driver black wire to the hot power line wire with a wire nut.



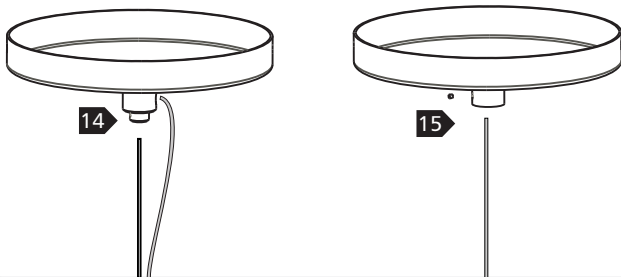
- 8** Install a conduit from the driver to the electrical box.
- 9** Install the low voltage wires from the driver to the electrical power feed box.
- 10** Connect the blue and red driver wires to each low voltage wire with a wire nut.



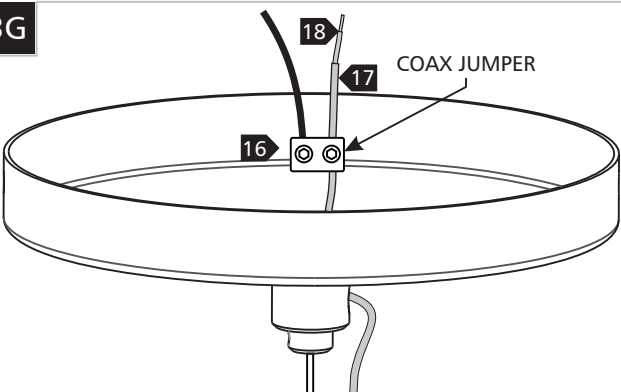
- 11** Connect the 120 volt power line wires at the panel.
- 12** After installing the entire system, operate the system for five minutes. On the low voltage side, all electrical connection points should be no more than warm to the touch. If a connection is hot to the touch, retighten the connection and check to ensure that the temperature decreases.
- 13** Replace the driver cover and tighten the four Phillips screws.

3E

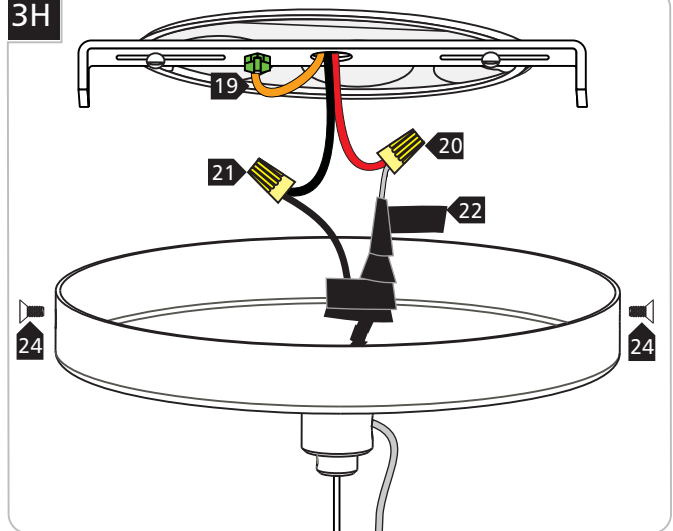
- 13** Secure the mounting plate to the junction box with #8-32 screws.

3F

- 14** If using one cable post insert the aircraft cable into the canopy port and secure with the provided set screw. Feed the coaxial cable through the hole on the side of the port into the canopy.
- 15** If using two cable post feed the coax through the center port and secure with the provided set screw at the desired length.

3G

- 16** Slide the jumper over the coax and fasten it in place with provided set screw.
- 17** Cut the coaxial cable to the desired length. (Leave longer than the aircraft cables for a lazy cable look.)
- 18** Slide back the braiding to expose the inner wire and strip some of the inner jacket.

3H

- 19** Connect the mounting plate to a suitable ground in accordance with local electrical codes.
- 20** Connect the inner coax wire to the low-voltage neutral power line wire with a wire nut.
- 21** Connect the black wire to the low-voltage hot power line wire with a wire nut.
- 22** Wrap the coaxial cable and coax jumper with electrical tape, ensuring no part can make contact with the canopy.
- 23** Neatly place all wires and wire nut connections into the junction box.
- 24** Place the canopy onto the mounting plate and secure with the canopy screws. (Reversal of step 1A.)

Notes:

SAVE THESE INSTRUCTIONS!



TECH LIGHTING®

7400 Linder Ave, Skokie, IL 60077

847.410.4400

www.techlighting.com

© 2018 Tech Lighting, L.L.C. All rights reserved. The "Tech Lighting" graphic is a registered trademark of Tech Lighting, L.L.C. Tech Lighting reserves the right to change specifications for product improvements without notification.

A Generation Brands Company