

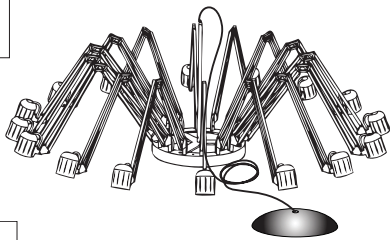
# m o o o i

Dear Ingo

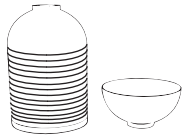
<b>E26</b> LAMPHOLDER	<b>60W</b> MAXIMUM WATTAGE	 TYPE A	 TYPE R	 TYPE G	 CLASS II	 120V ~ 60Hz	 UL	 DRY	 DAMP	 WET
--------------------------	----------------------------------	------------	------------	------------	--------------	--------------------	--------	---------	----------	---------

**1**

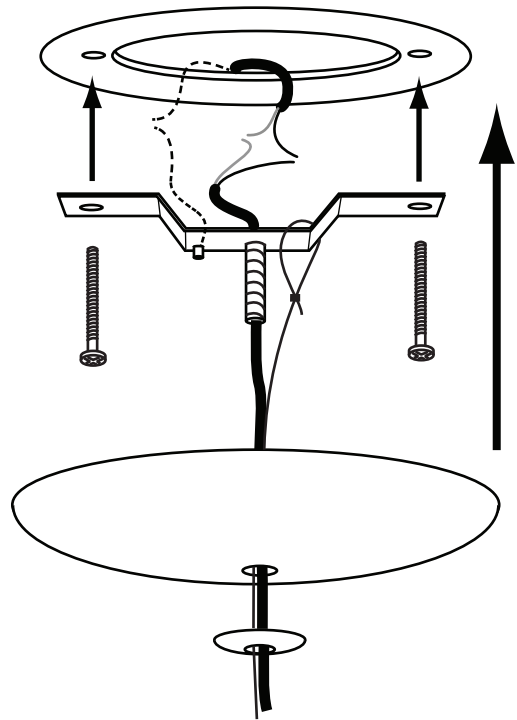
A



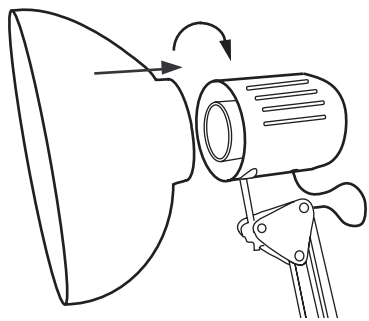
B



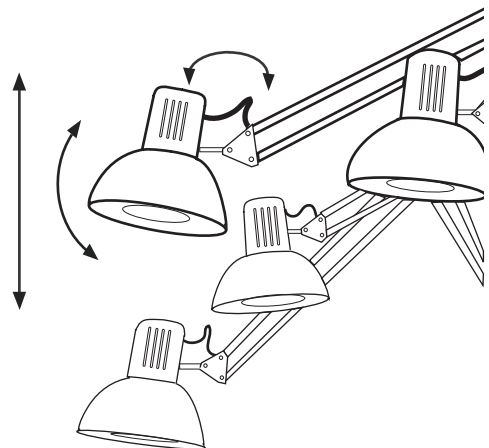
**2**



**3**



**4**



visit [www.mooui.com](http://www.mooui.com) for more information about the collection