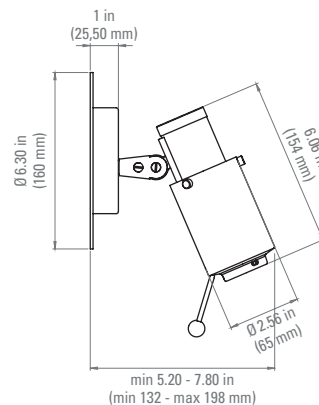




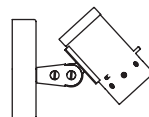
BINY SPOT LED

by Jacques Biny

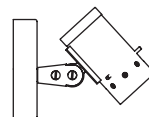


LED BASE | BASE LED

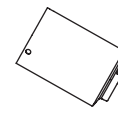
LENS | OPTIQUE



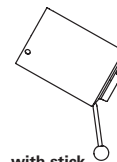
without switch
sans interrupteur



with switch (SW)
avec interrupteur



without stick (NS)
sans stick



with stick
avec stick

TECHNICAL SHEET

North America standards

FICHE TECHNIQUE

normes Nord Américaines



WALL LAMP

APPLIQUE

Materials Matériaux	Steel, aluminium Acier, aluminium
Net weight Poids net	1,2kg
Base Embase	Ø 6.30 in Ø 160 mm
Packaging Emballage	8.66 x 5.9 x 5.9 in 220 x 150 x 150 mm
IP IP	20

Voltage Tension	110V
Class Classe	1
Watt Watt	6W
Source Source	INTEGRATED LED 2700K Not dimmable
Lumens output Lumens	62,399 lm
Driver Driver	Driver supplied (2.4 x 1.3 x 0.7 in) 500 mA / 3-10,5V / 1,5-5,2W Driver fourni (62 x 33 x 17 mm) 500 mA / 3-10,5V / 1,5-5,2W
Wire Câble	NA
Switch Interrupteur	On the base (option) Sur la base (option)
Plug Fiches	NA

BASE BASE



Black

BL

TUBE TUBE



Black

BL



Polished Nickel

NK



Gold Anodized

GL

BINY SPOT LED

by Jacques Biny

TECHNICAL SHEET North America standards

FICHE TECHNIQUE normes Nord Américaines

PHOTOMETRIC DATA DONNÉES PHOTOMÉTRIQUES

Flux **62,399lm**
Tc **2918K**
CRI **77,3**

