

Outdoor Coral 0600

) david
trubridge
wakaNINE





david
trubridge
wakaNINE



) david
trubridge
wakaNINE

KEY POINTS

Outdoor Coral 0600

- » 24" diameter sphere
- » high pressure laminate
- » 10 year outdoor rated fsc material
- » Environmental Product Declaration report
- » steel rivets joining components
- » Manufactured and assembled in the USA
- » WET UL Electrics (10' BLACK)
- » BLACK PAN Canopy (5" dia x 1" H)
- » 24" fixed rod (BLACK) optional (coming in Q2 2022)



[wet rated electrics]

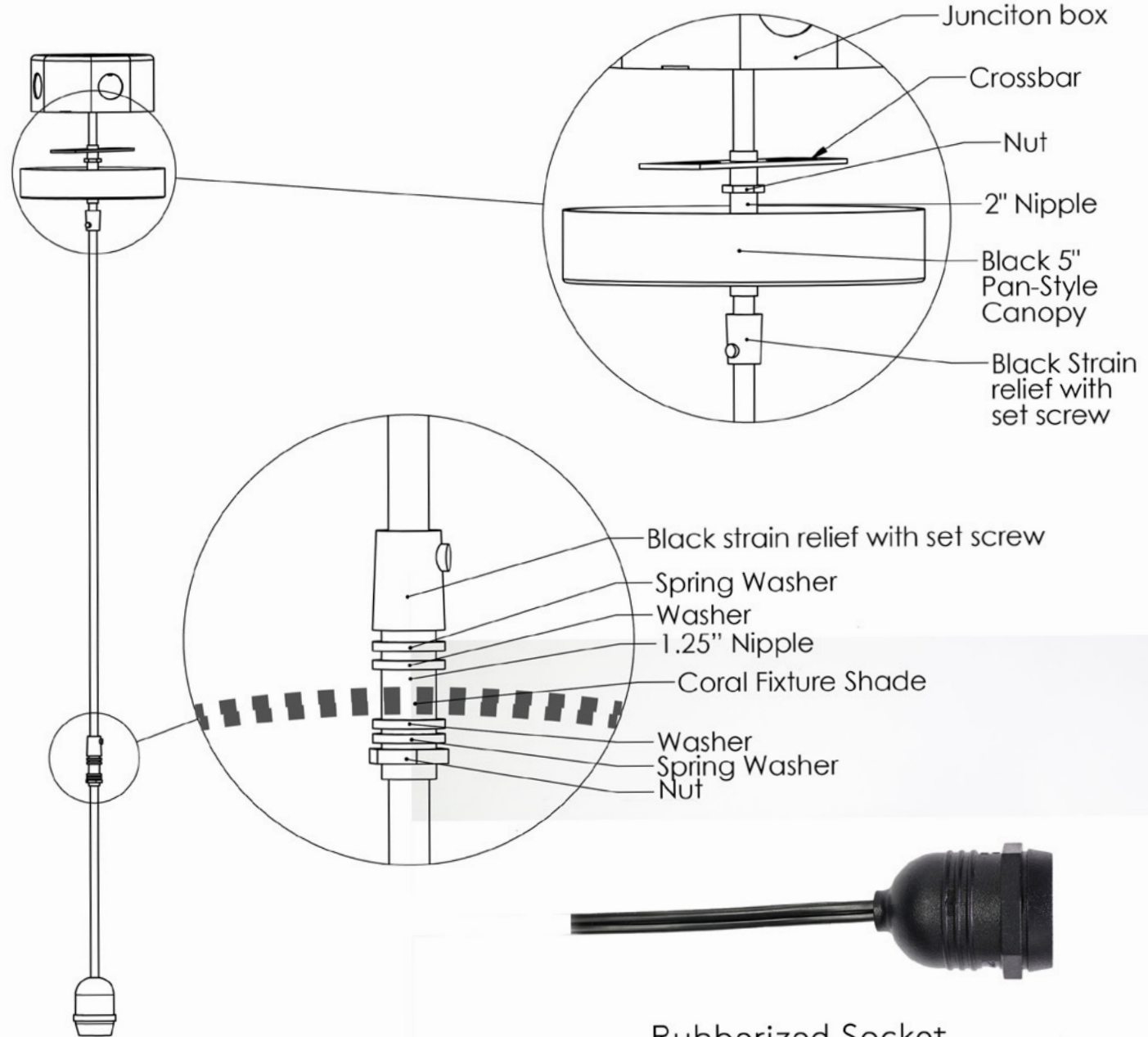
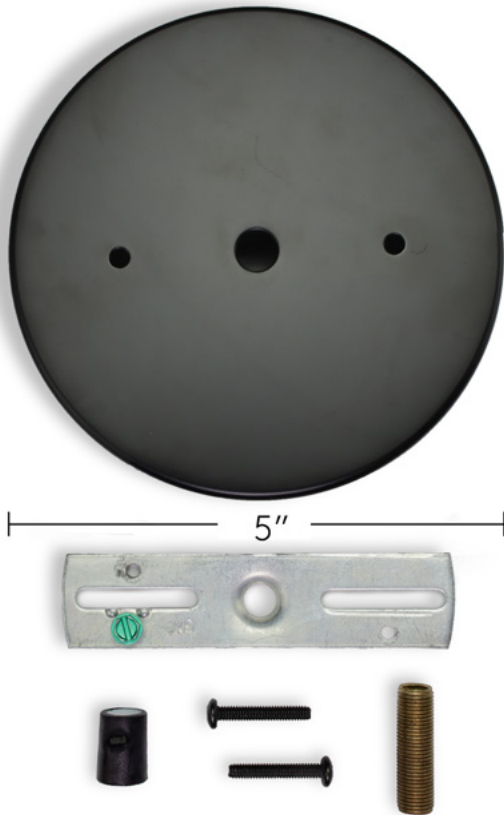


[steel rivet fasteners]



[woodgrain finish]

Canopy Hardware



Rubberized Socket
10' of SVT cord





Panelex



ENVIRONMENTALLY FRIENDLY

70% of wood fibers from totally renewable sources, treated with 30% thermosetting resins.

UV RESISTANT

Protection against fading by UV radiation from the sun's rays, guaranteeing color stability over time.

ANTI-PEST

It does not suffer any type of pest attack, nor does it allow the proliferation of bacteria that affect its physical characteristics or deteriorate its appearance.

FACTORY CARBON OFFSETS

Panelex contributes to net carbon capture by its high wood fiber content, low energy production and factory carbon offsets.

ANTI-FUNGI

Being an inert material, it does not favor the growth of fungi, mosses or lichens on the surface.

THERMAL ACOUSTIC

It acts independently as a thermal and acoustic insulator.

Outdoor Coral 0600

COR-0600-OKU-OKU-ASM-PAK

For inquiries please contact:

info@wakanine.com

) david
trubridge

wakaNINE

(512)-284-9672
www.wakanine.com

