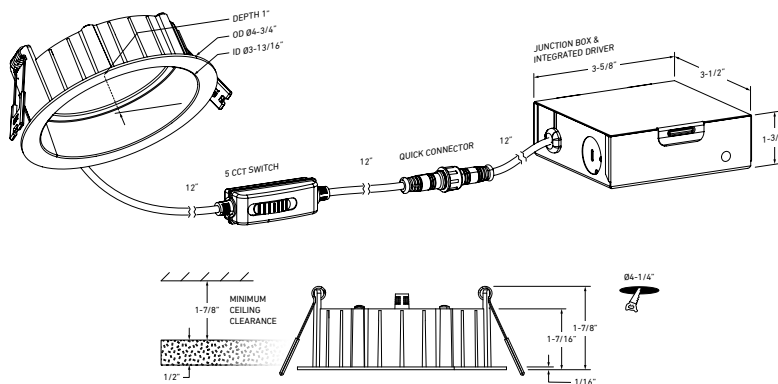


MODEL NAME **DRR4-CC-V**
NOTCH
4-Inch Regressed Panel Light

The Notch series of regressed downlights is characterized by a deep-set LED position which greatly reduces glare, neatly packaged in a price-conscious solution to general lighting.

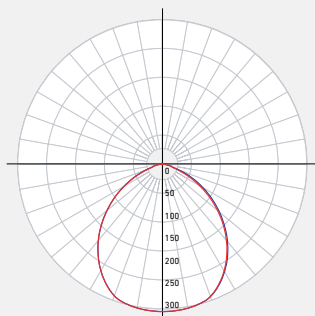


PROJECT:	TYPE:
DATE:	QTY:
NOTES:	


QUICK SPECS

SIZE	WATTS	DELIVERED LUMENS*	COLOR °T 5CCT	CRI	VOLTAGE	BEAM ANGLE	FINISH
4"	11W	800lm	2700K 3000K 3500K 4000K 5000K	90	120-277V	100°	○ White

*Lumen output measured at 3000K

LIGHT DISTRIBUTION

CONSTRUCTION

Lens Frosted	Type of optics Acrylic	Type of LED SMD
Lens material Plastic	Housing material Cast aluminum	Cut hole size 4-1/4"

RATINGS

Placement Indoor/Outdoor	Lifespan 50,000 hrs.	FT rating FT6
Location Wet	Certifications ETL, FCC, ICES, ES IC, ASTM E283-04, T24	Operating temperature -20° to 40° C

WHAT'S IN THE BOX

- LED recessed fixture
- Junction box
- Push-in wire connectors
- Mounting hardware
- Instruction sheet

ACCESSORIES

- [RFP-UNI](#)
Universal Drilling Plate
- [DRR4-TRIM-BK](#)
Panel Trim in Black
- [DRRP4-TRIM-SBA](#)
Panel Trim in Sandblasted Aluminum
- [RFP-46](#)
Drilling Plate

ADAPTERS

- [REC-EXT108](#)
108" extension cord for recessed fixtures
- [REC-EXT230](#)
230" extension cord for recessed fixtures



**ELECTRICAL
DETAILS**

Input voltage
120-277V

Output current
251mA

Power factor
98%

Driver type
Constant current

Output voltage
34V

LED model #
2835

**THD harmonic
distortion**
<30%

Binning type
3,4 SDCM

FEATURES

Every fixture includes
a junction box with an
integrated driver

Superior LED
performance and
lifespan

Minimal heat emission

Frosted lens

Switch-selectable CCT:
2700K/ 3000 K/ 3500 K/
4000 K/ 5000 K

Can be daisy chained

Smooth 360° wide
spread

Back-lit technology

0-10V dimming

WARRANTY

DALS offers a 5-year warranty from the date of purchase which covers repairs or replacement of defective parts of the housing, optics, and electronics. To contact DALS customer service call 1-877-430-1818 or send an e-mail to info@dals.com.

RECOMMENDED DIMMER LIST*

BRAND	MODEL #	DIMMER SPECS	GRADE	DIMMING RANGE (%)	MAX LOAD
Lutron	DVSTV (0-10 V Controls)	960W, Operating Voltage:120-277 V~, Load Switching Capacity: 8 A	Compatible		

* Minimal buzzing noise may occur with some dimmers