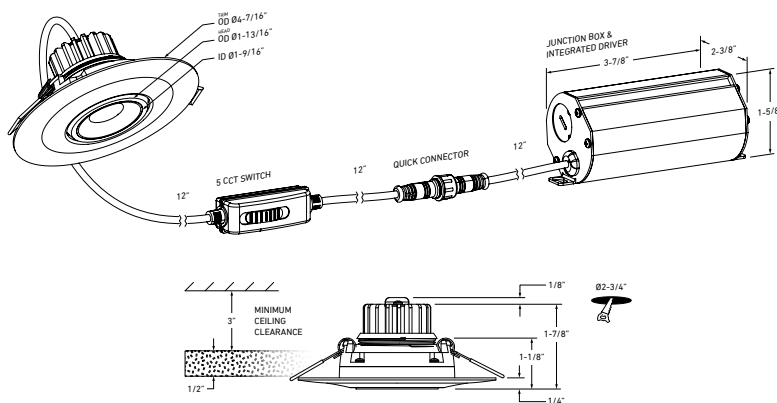


MODEL NAME **LEDDOWNG4-CC**
SCOPE
4-Inch Gimbal Recessed

There are moments when you want the ability to direct light as you please. With our LED Gimbal recessed fixture this has now become a reality with the easiest of installations.

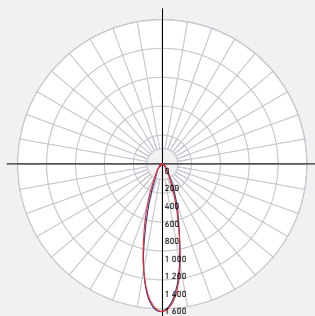


| | |
|-----------------|--------------|
| PROJECT: | TYPE: |
| DATE: | QTY: |
| NOTES: | |


QUICK SPECS

| SIZE | WATTS | DELIVERED LUMENS* | COLOR °T 5CCT | CRI | VOLTAGE | BEAM ANGLE | FINISH |
|------|-------|-------------------|---|-----|---------|------------|---|
| 4" | 8W | 680lm | 2700K 3000K 3500K 4000K 5000K | 90 | 120V | 40° | <input type="radio"/> White <input type="radio"/> Satin Nickel <input checked="" type="radio"/> Black |

*Lumen output measured at 3000K

LIGHT DISTRIBUTION

CONSTRUCTION

| | | |
|---------------------------------|--|--------------------------------|
| Lens Clear | Type of optics Optical lens | Type of LED COB |
| Lens material Acrylic | Housing material Cast aluminum | Cut hole size 2-3/4" |

RATINGS

| | | |
|------------------------------------|--|---|
| Placement Indoor/Outdoor | Lifespan 50,000 hrs. | FT rating FT6 |
| Location Wet | Certifications ETL, FCC, ICES, ES IC, ASTM E283-04, T24 | Operating temperature -20° to 40° C |

WHAT'S IN THE BOX

- LED recessed fixture
- Junction box
- Push-in wire connectors
- Mounting hardware
- Instruction sheet

ACCESSORIES

- RFP-UNI**
Universal Drilling Plate
- RFP-46**
Drilling Plate

ADAPTERS

- REC-EXT108**
108" extension cord for recessed fixtures
- REC-EXT230**
230" extension cord for recessed fixtures



| | | | | |
|---------------------------|----------------------------------|--------------------------------|--|--|
| ELECTRICAL DETAILS | Input voltage 100-135V | Output current 300mA | Power factor 97% | Driver type Constant current |
| | Output voltage 21V | LED model # COB | THD harmonic distortion <30% | Binning type 3 SDCM |

| | | | |
|-----------------|---|---------------------------------------|---|
| FEATURES | Every fixture includes a junction box with an integrated driver | Superior LED performance and lifespan | Switch-selectable CCT: 2700K / 3000 K / 3500 K / 4000 K / 5000 K |
| | Can be daisy chained | Smooth 360° wide spread | 30° tilting, 360° rotation |

| | |
|-----------------|--|
| WARRANTY | DALS offers a 5-year warranty from the date of purchase which covers repairs or replacement of defective parts of the housing, optics, and electronics. To contact DALS customer service call 1-877-430-1818 or send an e-mail to info@dals.com . |
|-----------------|--|

RECOMMENDED DIMMER LIST*

| BRAND | MODEL # | DIMMER SPECS | GRADE | DIMMING RANGE (%) | MAX LOAD |
|-----------|-----------------------|------------------------------------|------------|--------------------|----------|
| Dals | SM-DIMSW Smart Dimmer | Triac, 250W LED/CFL | Compatible | Min: 9 / Max: 100 | 31 |
| Lutron | DVCL-153PR-WH-C | Triac, 150 W Dimmable CFL/LED | Compatible | Min: 12 / Max: 100 | 18 |
| Lutron | CTCL-153PDH-WH-C | Triac, 150 W Dimmable CFL/LED | Compatible | Min: 11 / Max: 100 | 18 |
| Lutron | STCL-153PH-WH-C | Triac, 150 W Dimmable CFL/LED | Compatible | Min: 3 / Max: 100 | 18 |
| Lutron | DVWCL-153PH-WHC | Triac, 150 W Dimmable CFL/LED | Compatible | Min: 11 / Max: 100 | 18 |
| Lutron | MACL-153MRHW-WHC | Triac, 150 W Dimmable CFL/LED | Compatible | Min: 2 / Max: 100 | 18 |
| Lutron | DVELV-300P-WH | 300W electronic low voltage dimmer | Compatible | Min: 12 / Max: 100 | 37 |
| Lutron | MA-PRO-WH | ELV, 250W LED/CFL | Compatible | Min: 2 / Max: 100 | 31 |
| Lutron | Caseta PD-6WCL-WH-R-C | Triac, 300W Dimmable CFL/LED | Compatible | Min: 3 / Max: 100 | 37 |
| Lutron | Caseta PD-5NE-WH-C | ELV, LED—up to 250 W | Compatible | Min: 5 / Max: 100 | 31 |
| Lutron | Caseta PD-10NXD-WH | Triac, LED—up to 250 W | Compatible | Min: 1 / Max: 100 | 31 |
| Leviton | 6672-1LW | Triac, 150W Dimmable CFL/LED | Compatible | Min: 27 / Max: 99 | 18 |
| Leviton | DSM10 | Triac, 450W Dimmable CFL/LED | Compatible | Min: 23 / Max: 99 | 56 |
| Leviton | 6674 | Triac, 150 W Dimmable CFL/LED | Compatible | Min: 15 / Max: 100 | 18 |
| Leviton | IPL06-10Z | Triac, 150 W Dimmable CFL/LED | Compatible | Min: 22 / Max: 100 | 18 |
| Leviton | DSL06-752 | Triac, 150 W Dimmable CFL/LED | Compatible | Min: 22 / Max: 100 | 18 |
| Leviton | D26HD-742-1RW | Triac, 300W LED/CFL | Compatible | Min: 14 / Max: 100 | 37 |
| Legrand | RHCL453PNICCV4 | Triac, 450W Dimmable CFL/LED | Compatible | Min: 13 / Max: 100 | 56 |
| Legrand | ADTP703TUM4 | Triac, 450W Dimmable CFL/LED | Compatible | Min: 11 / Max: 100 | 56 |
| Legrand | ADPD453LM2 | Triac, 450W Dimmable CFL/LED | Compatible | Min: 43 / Max: 100 | 56 |
| Legrand | RHL373PW | Triac, 250W LED | Compatible | Min: 9 / Max: 99 | 31 |
| Control 4 | C4-APD120-WH | ELV, 120W LED | Compatible | Min: 1 / Max: 100 | 15 |
| Control 4 | C4-FPD120-WH | Triac, 200W LED | Compatible | Min: 1 / Max: 100 | 25 |

* Minimal buzzing noise may occur with some dimmers