

Recessed downlight

Providing a contemporary and functional style to any space, the MSL recessed series is available in various styles & features. Framed by a powder-coated finish, these high-output fixtures provide a crisp, low-glare emission. Available with pivoting multi-directional* optics or a traditional fixed downlight.



DRY

30°

SWIVEL/DIRECTIONAL*



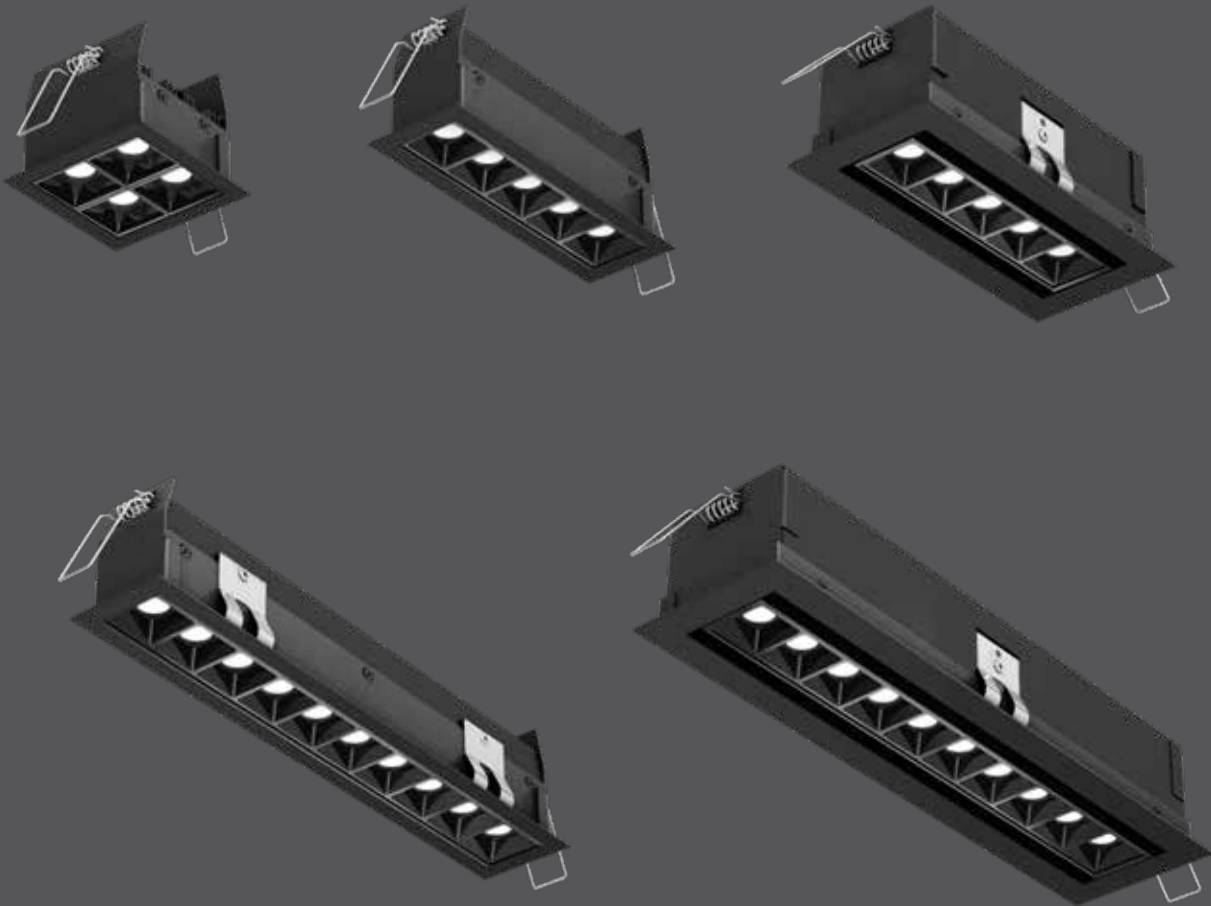
LOW-GLARE



Intertek

IC

RATED**



*Models MSL5G-3K and MSL10G-3K only

**Models MSL4-3K, MSL5G-3K and MSL10G-3K only

Model	Size	Watts	Delivered lumens	LED lumens	CRI	Color °T	Voltage
MSL4-3K	3"	11 W	600 lm	880 lm	90	3000 K	120 V
MSL5-3K	7"	13 W	800 lm	1100 lm	90	3000 K	120 V
MSL5G-3K	7"	13 W	800 lm	1100 lm	90	3000 K	120 V
MSL10-3K	13"	26 W	1700 lm	2200 lm	90	3000 K	120 V
MSL10G-3K	13"	26 W	1700 lm	2200 lm	90	3000 K	120 V

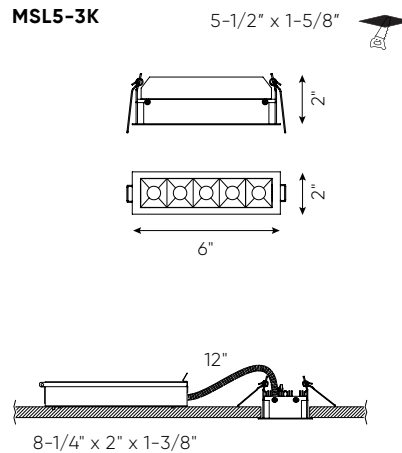
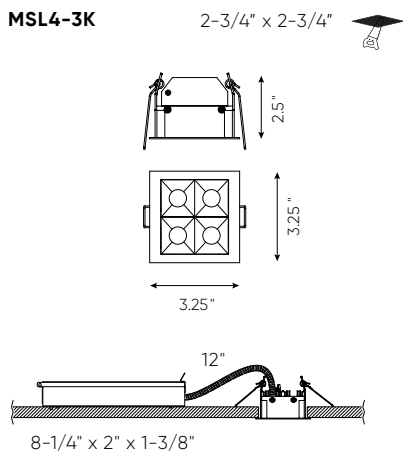
Specifications

Every fixture includes a junction box with integrated dimmable driver
 Can be daisy chained
 Superior LED performance and lifespan
 Regressed light source
 Minimal heat emission
 Aluminum construction

30 degree swivel (models MSL5G and MSL10G only)
 IC rated* (models MSL4, MSL5G, and MSL10G only)
 Low-glare
 Suitable for dry locations
 Refer to website for dimmer compatibility
 5-year warranty

Accessories

- RFP-MSL4**
Rough-in plate for MSL4
- RFP-MSL5**
Rough-in plate for MSL5
- RFP-MSL5G**
Rough-in plate for MSL5G
- RFP-MSL10**
Rough-in plate for MSL10
- RFP-MSL10G**
Rough-in plate for MSL10G



Finish

- **AWH** White
- **BK** Black

Order example

MSL5G-3K-BK
 Dimmable MSL5G-3K 7" directional linear recessed downlight fixture in a black finish

Note

Other Color °T and Finishes available, but may require MOQ's and longer lead times. Please contact your DALs representative for more information.

