

---

## 2-in-1 LED puck



These robust LED pucks, featuring a frosted lens, deliver highly efficient punches of white light. Well suited for under-cabinet lighting and a variety of other applications.



Model	Size	Watts	Delivered lumens	LED lumens	CRI	Color °T	Voltage
<b>4005FR</b>	Ø2.625"	1.5 W	90 lm	120 lm	80	3000 K	12 V
<b>K4005FR</b>	Ø2.625"	3 x 1.5 W*	90 lm	120 lm	80	3000 K	12 V
<b>4005HP</b>	Ø2.625"	2.6 W	235 lm	280 lm	80	3000 K	12 V

\*Per fixture

### Specifications

12V DC LED driver required  
 Over 50,000 hours of service life  
 12" input lead with quick connector  
 24" interconnection harness included  
 Can be recessed or surface mounted\*  
 Warm white light output  
 Excellent color rendering  
 Superior LED performance and lifespan  
 Smooth 360° wide spread  
 Minimal heat emission  
 Brighter than most equivalent 20W halogen pucks  
 Steel/aluminum construction  
 Frosted glass lens  
 Refer to website for dimmer compatibility  
 5-year warranty  
 Kits available

### Note

Plug-in or hard-wired power supply required for installation. Sold separately.

Surface mount adapter - 4005HP-SURF needed for 4005HP puck. Sold separately.

Other Color °T and Finishes available, but may require MOQ's and longer lead times. Please contact your DALs representative for more information.

### Finish

- **BK** Black
- **SN** Satin Nickel
- **WH** White

### Power supplies: plug-in

**ETR-LED10WPI**  
 12VDC/10W class 2 LED driver

**ETR-LED24WPI**  
 12VDC/24W class 2 LED driver

### Power supplies: hard-wired

**BT06DIM-IC**  
 6W dimmable LED hardwire driver

**BT12DIM-IC**  
 12W dimmable LED hardwire driver

**BT24DIM-IC**  
 24W dimmable LED hardwire driver

**BT36DIM**  
 36W dimmable LED hardwire driver

**BT48DIM**  
 48W dimmable LED hardwire driver

### Accessories

**4000E-24**  
 24" extension cord

**4000E-60**  
 60" extension cord

**4000HRNS-24**  
 24" interconnection harness

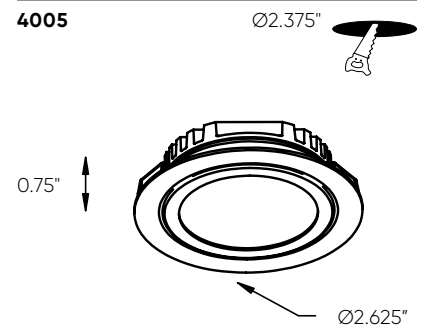
**4005HP-SURF-BK**  
 Surface mounted adapter, black

**4005HP-SURF-SN**  
 Surface mounted adapter, satin nickel

**4005HP-SURF-WH**  
 Surface mounted adapter, white

### Order example

**4005FR-WH**  
 4005 single puck with a 2.1W LED array with 90 lumens at 3000K in a white finish



### Surface mount adapter

