

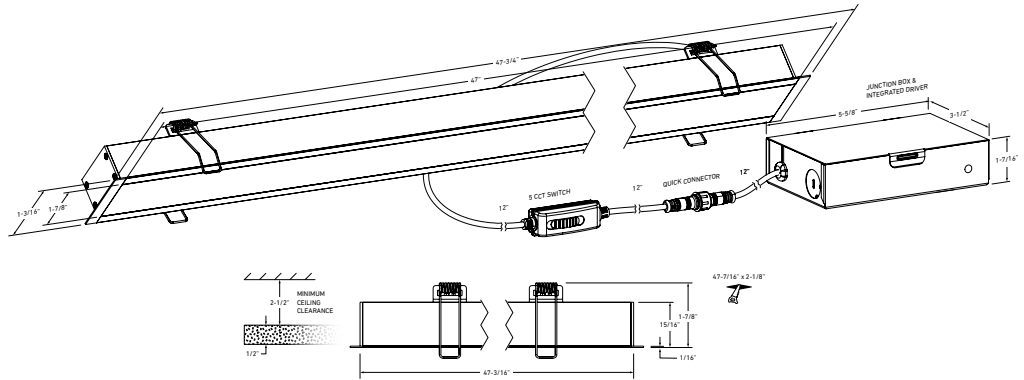
**MODEL NAME** **LNR48-CC BOULEVARD**

**48" Architectural Recessed Light**

The Boulevard series, an architectural recessed lighting channel that can be installed in a wide range of commercial and residential environments. Add depth to ceiling planes with a visible separation, or seamlessly daisy-chained to create dramatic effects.



<b>PROJECT:</b>	<b>TYPE:</b>
<b>DATE:</b>	<b>QTY:</b>
<b>NOTES:</b>	

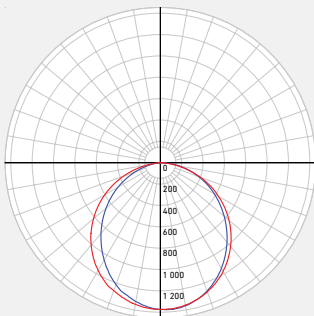


**QUICK SPECS**

SIZE	WATTS	DELIVERED LUMENS*	COLOR °T 5CCT	CRI	VOLTAGE	BEAM ANGLE	FINISH
48"	40W	3760lm	2700K 3000K 3500K 4000K 5000K	90	120V	108°	○ White ● Black

\*Lumen output measured at 3000K

**LIGHT DISTRIBUTION**



<b>CONSTRUCTION</b>	<b>Lens</b> Frosted	<b>Type of optics</b> Flat lens	<b>Type of LED</b> SMD
	<b>Lens material</b> PC	<b>Housing material</b> Aluminum extrusion	<b>Cut hole size</b> 47-7/16" x 2-1/8"

<b>RATINGS</b>	<b>Placement</b> Indoor	<b>Lifespan</b> 50,000 hrs.	<b>FT rating</b> FT6
	<b>Location</b> Dry	<b>Certifications</b> ETL, FCC, ICES, ES, IC, ASTM E283-04, T20 T24	<b>Operating temperature</b> -20° to 40° C

**WHAT'S IN THE BOX**

- LED recessed fixture
- Junction box
- Push-in wire connectors
- Mounting hardware
- Instruction sheet

**ACCESSORIES**

- RFP-LNR48**  
Drilling Plate
- LNACC-L16FT**  
16-foot lens for Boulevard series pendants and recessed linears

**ADAPTERS**

- REC-EXT108**  
108" extension cord for recessed fixtures
- REC-EXT230**  
230" extension cord for recessed fixtures



<b>ELECTRICAL DETAILS</b>	<b>Input voltage</b> 108-132V	<b>Output current</b> 1000mA	<b>Power factor</b> 90%	<b>Driver type</b> Constant current
	<b>Output voltage</b> 40-44V	<b>LED model #</b> 2835	<b>THD harmonic distortion</b> <30%	<b>Binning type</b> 3 SDCM

<b>FEATURES</b>	Every fixture includes a junction box with an integrated driver	Superior LED performance and lifespan	Frosted lens Back-lit technology	Switch-selectable CCT: 2700K/ 3000 K/ 3500 K/ 4000 K/ 5000 K
	Can be daisy chained	Minimal heat emission		

<b>WARRANTY</b>	DALS offers a 5-year warranty from the date of purchase which covers repairs or replacement of defective parts of the housing, optics, and electronics. To contact DALS customer service call 1-877-430-1818 or send an e-mail to <a href="mailto:info@dals.com">info@dals.com</a> .
-----------------	--

**RECOMMENDED DIMMER LIST\***

BRAND	MODEL #	DIMMER SPECS	GRADE	DIMMING RANGE (%)		MAX LOAD
				MIN	MAX	
Dals	SM-DIMSW Smart Dimmer	Triac, 250W LED/CFL	Compatible	3	100	6
Lutron	DVCL-153PR-WH-C	Triac, 150 W Dimmable CFL/LED	Compatible	2	99	4
Lutron	STCL-153PH-WH-C	Triac, 150 W Dimmable CFL/LED	Compatible	0	100	4
Lutron	DVWCL-153PH-WHC	Triac, 150 W Dimmable CFL/LED	Compatible	2	100	4
Lutron	MACL-153MRHW-WHC	Triac, 150 W Dimmable CFL/LED	Compatible	0	100	4
Lutron	DVELV-300P-WH	300W electronic low voltage dimmer	Compatible	4	96	8
Lutron	Caseta PD-6WCL-WH-R-C	Triac, 300W Dimmable CFL/LED	Compatible	1	100	8
Lutron	Caseta PD-10NXD-WH	Triac, LED—up to 250 W	Compatible	0	100	6
Leviton	DSM10	Triac, 450W Dimmable CFL/LED	Compatible	14	100	11
Leviton	6674	Triac, 150 W Dimmable CFL/LED	Compatible	4	100	4
Leviton	IPL06-10Z	Triac, 150 W Dimmable CFL/LED	Compatible	7	100	4
Leviton	DSL06-752	Triac, 150 W Dimmable CFL/LED	Compatible	7	100	4
Leviton	D26HD-742-1RW	Triac, 300W LED/CFL	Compatible	6	100	8
Legrand	RHCL453PNICCV4	Triac, 450W Dimmable CFL/LED	Compatible	6	100	11
Legrand	ADTP703TUM4	Triac, 450W Dimmable CFL/LED	Compatible	6	99	11
Legrand	ADPD453LM2	Triac, 450W Dimmable CFL/LED	Compatible	22	100	11
Legrand	RHL373PW	Triac, 250W LED	Compatible	5	100	6
Control 4	C4-APD120-WH	ELV, 120W LED	Compatible	0	100	3
Control 4	C4-FPD120-WH	Triac, 200W LED	Compatible	0	100	5

\* Minimal buzzing noise may occur with some dimmers