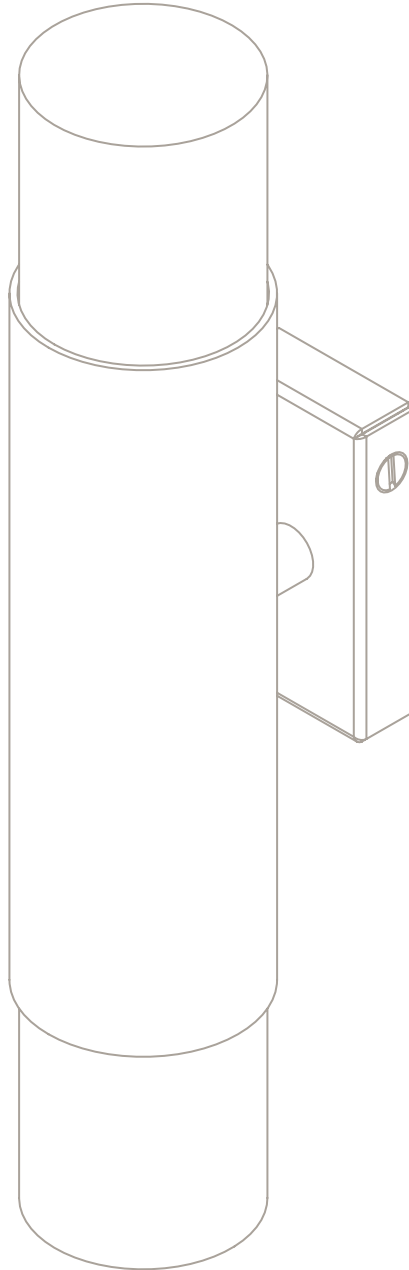


## ROMA TALL WALL

Installation Guide



!

Please handle with care and wear gloves at all times during assembly and installation to avoid damaging components.

## TECHNICAL

**Bulb Holder**  
Integrated LED

**Wattage**  
9w max (or 4.5w LED 2700k)

**Weight**  
3kg (6.6lbs)

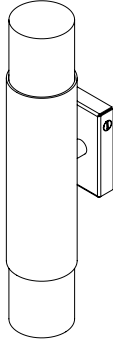
## PARTS & COMPONENTS

A. Body, wall mounting bracket, 2 x M4 Counter sunk machine screws

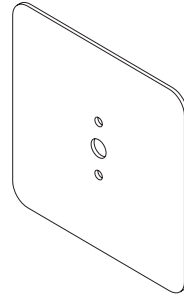
Additional Parts for US installation only:

- B. Covering plate
- C. US Adapter plate
- D. 2 x M4 Screws

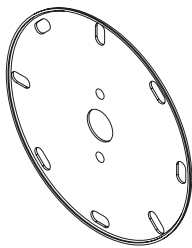
A.



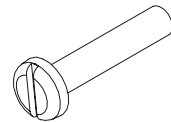
B.



C.



D.

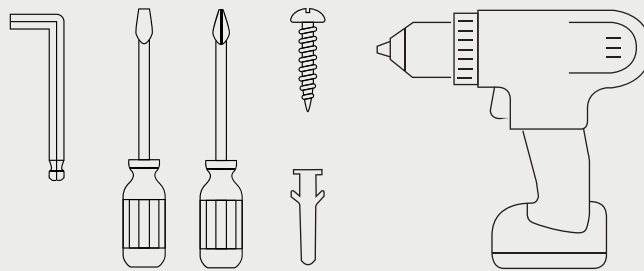


- All nuts and bolts required for the installation will be included in the delivery.



## BEFORE INSTALLATION

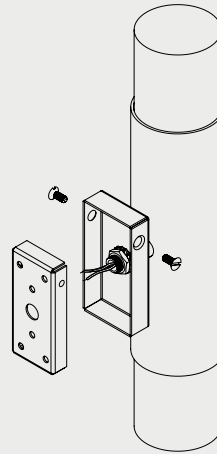
- Check that you have all components before starting the installation.
  - Installation must be carried out by a qualified electrician.
  - A minimum of two people is required to install a pendant light.
- Check that the ceiling or wall fixings are suitable and strong enough to support the weight of the light fixture.
  - You will need the below specific tools for a successful installation.



If the external flexible cable or cord of this luminaire is damaged, it shall be exclusively replaced by the manufacturer or his service agent or a similar qualified person in order to avoid a hazard.

The light source contained in this luminaire shall only be replaced by the manufacturer or his service agent or a similar qualified person

1. Remove the wall bracket from the fitting by removing the two screws located on either side.



2. 240V

1. Securely fix the mounting plate to the wall using 2 x screws suitable for the surface you are mounting to (not supplied), ensuring that the mains cable is centred with the hole in the middle of the plate.

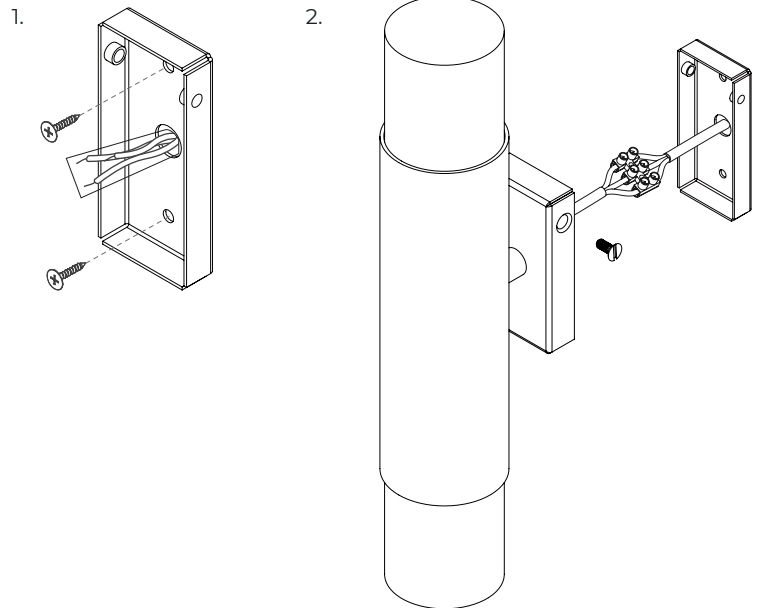
**Note:**

Ensure that the weight of the fitting is fully supported during the electrical installation.

2. Connect fitting to mains input. Terminal block not included. Installation must be performed by a qualified person

Any terminal blocks recommended must conform to IEC 60998-2-1 or IEC 60998-2-2

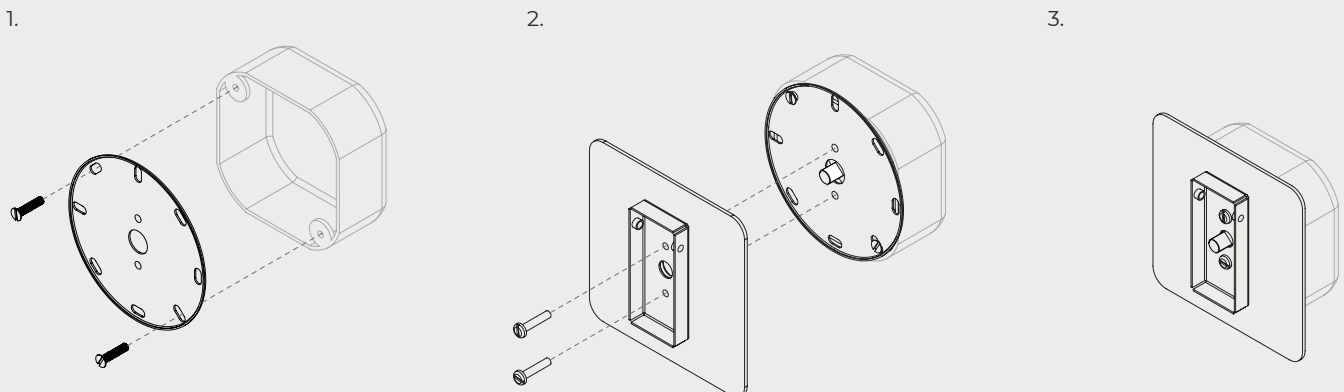
Terminal block - Specification  
 Type - Screw / screw less - IP20  
 No of terminals - 3  
 Rated voltage - 240v - 110V  
 Rated connecting capacity - AWG 24-12



1. 110V  
**US**

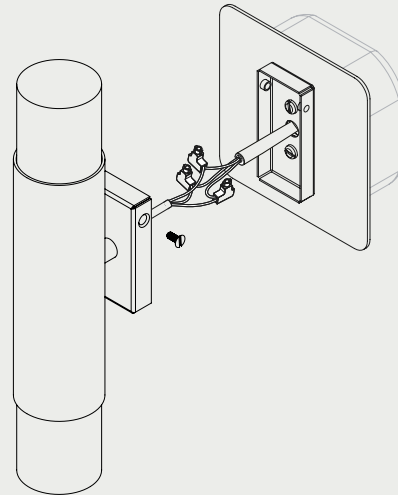
US adapter plate to junction box ensuring that the three central holes are vertically positioned (1).

Attach the mounting plate and covering plate to the Adapter plate using the 2 screws provided (2) to securely attach the wall plate to the junction box (3).



2. Raise the body towards the mounted plate and make the electrical connection ensuring all wires are colour matched and the wall light is earthed correctly.

Place the base over the mounted plate and secure with the two screws located on either side of the fitting.



## MAINTENANCE

The light source contained in this luminaire shall only be replaced by the manufacturer or his service agent or a similar qualified person

### Cleaning

Dust using a dry lint-free cloth weekly or as required

### Repairs

Contact  
CTO Lighting

### Warranty

Please visit  
[www.ctolighting.co.uk/  
pages/f-a-q](http://www.ctolighting.co.uk/pages/f-a-q)  
for CTO warranty policy

### Certification

