

NIMBUS LARGE ROUND

A showstopper which has the same 'quiet luxury' characterised by CTO designs. Developed exclusively by our artisans where crystal like crushed glass is combined with refined metalwork.

FINISH

satin brass with handmade glass
NIMCHRLSBFG

bronze with handmade glass
NIMCHRLBZFG

SUSPENSION

drop rod with ceiling box

please specify the required overall drop from the ceiling to the bottom of the fitting

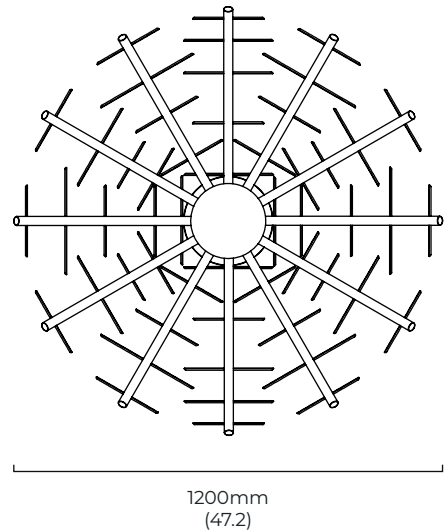
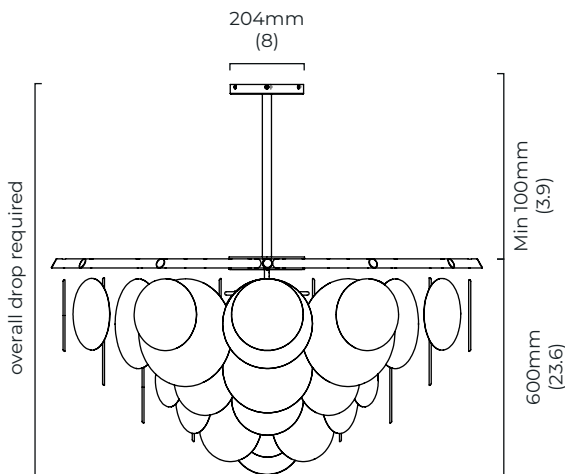
BULBS

240v - 6 x E27, 60w max (or 8w LED 2700k)
120v - 6 x E26, 60w max (or 8w LED 2700k)
(no bulbs supplied)

WEIGHT

50kg (120.2lbs)
additional support around junction box required for installation

CERTIFICATION



mounting plate dimensions

