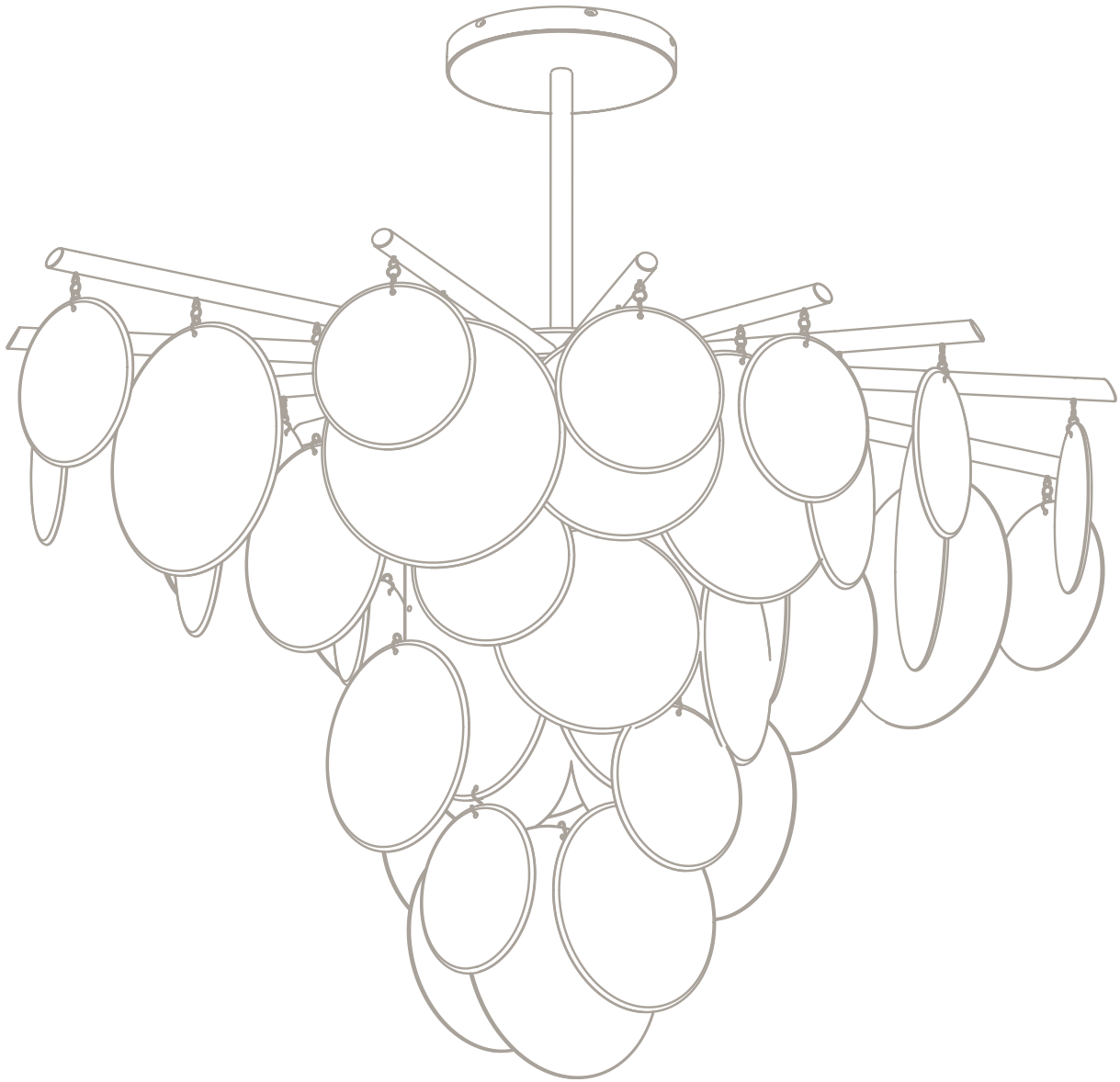


## NIMBUS PENDANT

Installation Guide



!

Please handle with care and wear gloves at all times during assembly and installation to avoid damaging components.

## TECHNICAL

**Bulb Holder**  
 240v - 8 x E27  
 120v - 8 x E26  
 (no bulbs supplied)

**Wattage**  
 60w max (or 8w LED 2700k)

**Weight**  
 55kg (121.3lbs)

## PARTS & COMPONENTS

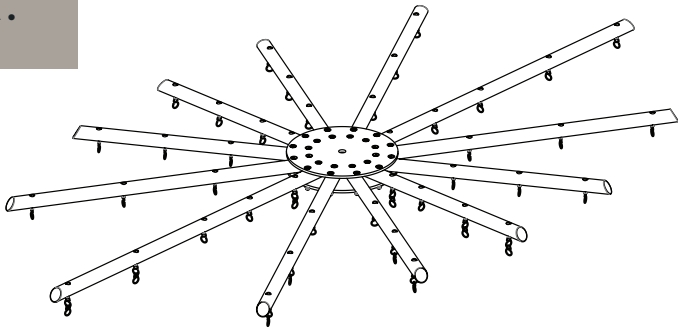
A. 1 x Nimbus cross member  
 B. 1 x ceiling rose and drop rod  
 C. 1 x mounting plate  
 D. 1 x lamp-holder assembly  
 E. Bottom glass disc, spare hooks

F. Glass discs  
 2 x A1 (200mm OD)  
 2 x A2 (300mm OD)  
 2 x A3 (250mm OD)  
 2 x A4 (250mm OD)  
 2 x A5 (Oval glass + 200mm OD)  
 1 x Central glass drop (Chain +300mm OD)

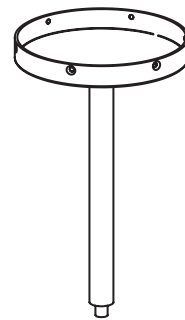
4 x B1 (200mm OD)  
 4 x B2 (300mm OD)  
 4 x B3 (200mm OD)  
 4 x C1 (200mm OD)  
 4 x C2 (250mm OD)  
 4 x C3 (250mm OD)

2 x D1 (200mm OD)  
 2 x D2 (300mm OD)  
 2 x D3 (200mm OD)  
 2 x D4 (Oval glass + 250mm OD)  
 4 x Long glass discs

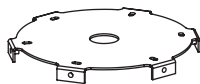
A.



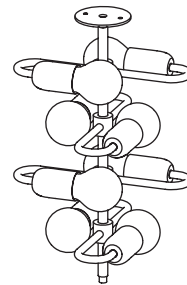
B.



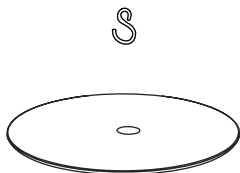
C.



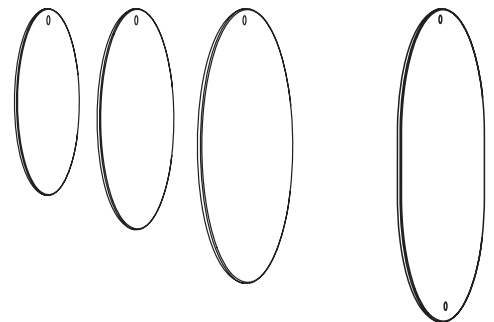
D.



E.



F.



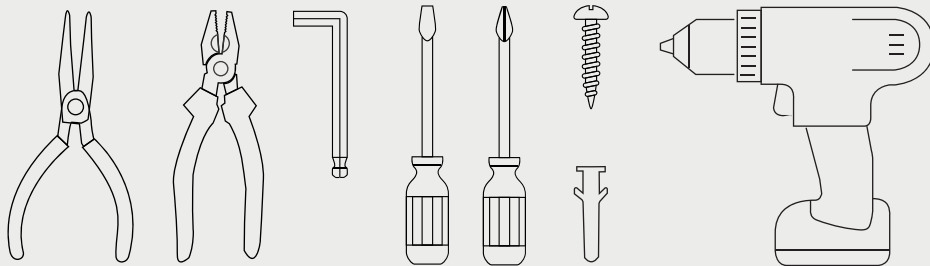
- All nuts and bolts required for the installation will be included in the delivery.
- All glass discs will be supplied labelled and ready to be mounted on to the cross member (hooks and chain attached).
- Few spare hooks are supplied, use them only in the occasion of some missing from the glass discs.



## BEFORE INSTALLATION

- Check that you have all components before starting the installation.
  - Installation must be carried out by a qualified electrician.
  - A minimum of two people is required to install a pendant light.
- Check that the ceiling or wall fixings are suitable and strong enough to support the weight of the light fixture.
  - You will need the below specific tools for a successful installation..

If height adjustment on site is required please see height adjustment instructions on page 4, before you start assembling the pendant.



## HEIGHT ADJUSTMENT INSTRUCTIONS

Before attaching the drop-rod to the body of the light, calculate the required total drop from ceiling to bottom of pendant. If any height adjustment is required, follow the steps below:

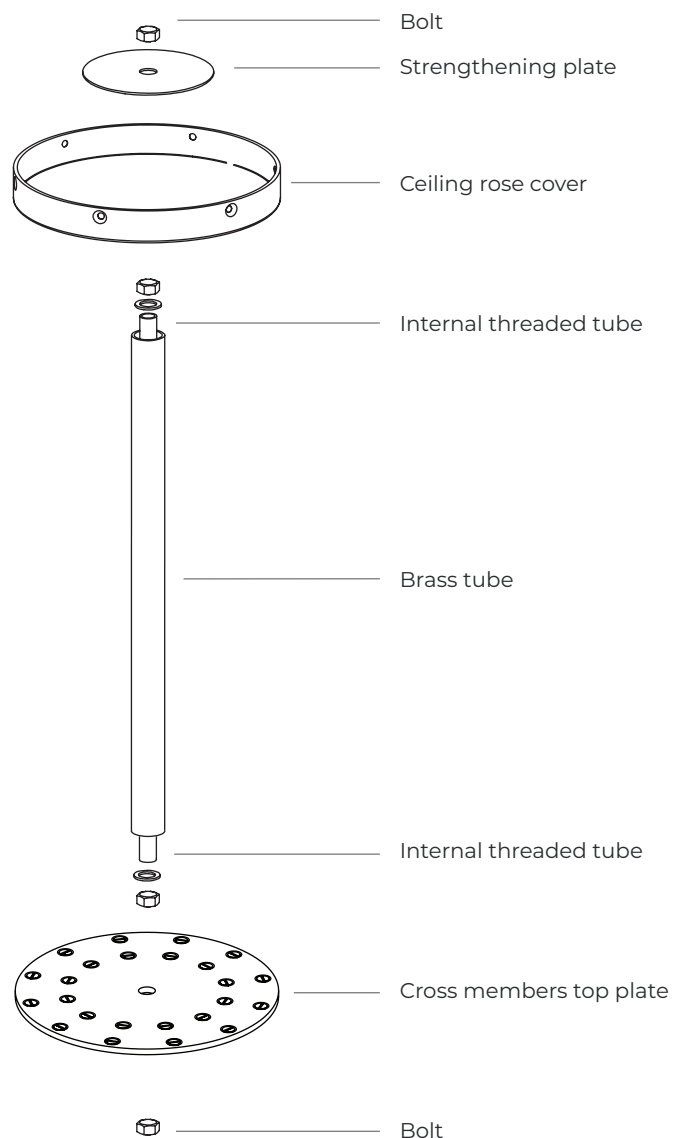
1. Separate the brass tube and the internal threaded tube from the ceiling rose cover by unscrewing the bolt.
2. Measure the length the drop rod needs to be.
3. Cut the brass tube to this length using a hacksaw or similar tool.
4. Cut the same length from the internal threaded tube using a hacksaw or similar tool.

NOTE: You must allow 25mm extra internal threaded tube at each end of the brass tube so that it can be bolted into place with the nuts provided.

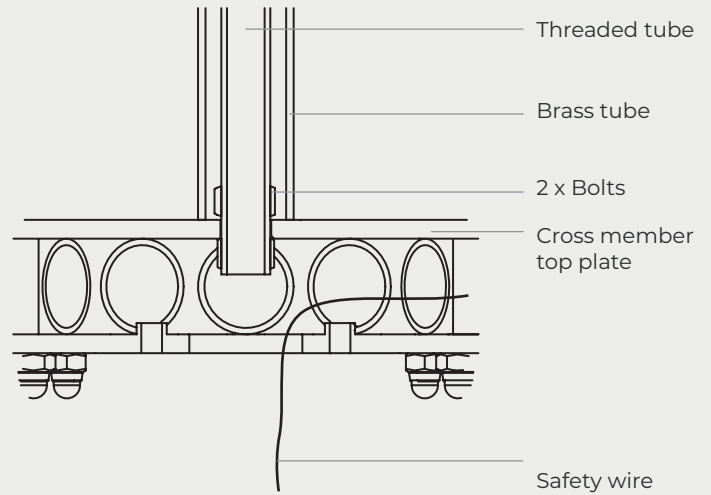
5. Once the brass tube and internal threaded tube are cut to the correct lengths, assemble them back together by using all components provided and mount the internal threaded tube to the ceiling rose cover using the bolt.

Ensure that the bolts are tightened and fully secure.

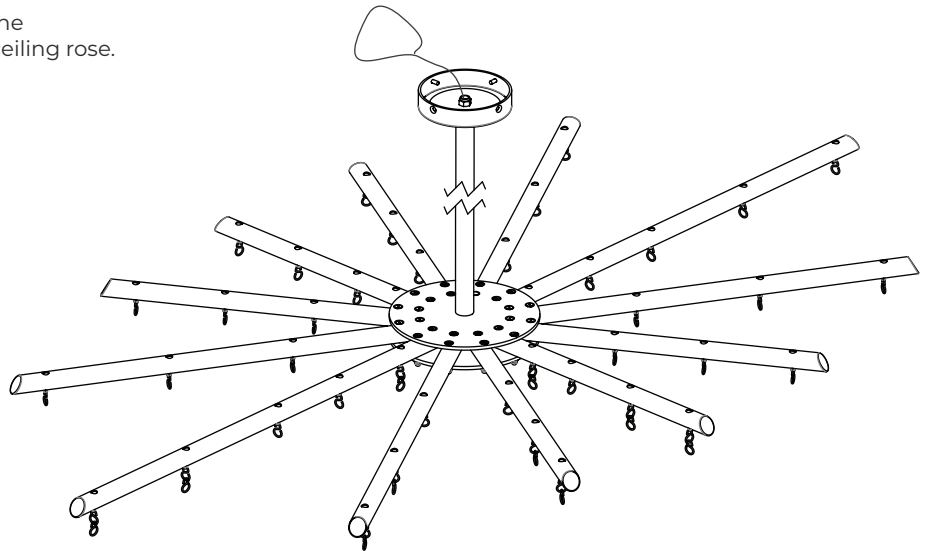
8. Slide the brass tube over the internal threaded tube and attach the top plate of cross-member with bolt, as shown.
9. Once satisfied with the fit secure bolts and all-thread with Loc-tite or similar adhesive.



1. Remove the first M13 nut from the bottom of the drop rod (leave the second nut) and attach the drop rod to the top plate of the cross member, replacing the nut and tightly securing (socket set required).



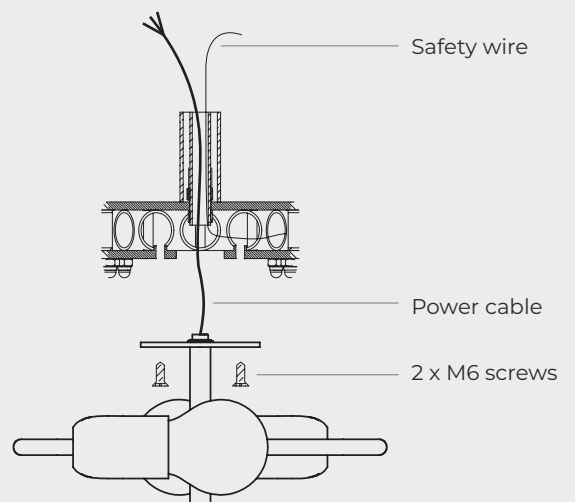
2. Insert the safety wire (already attached to the cross-member) through the drop rod and ceiling rose.



3. Insert the power cable through the cross member and drop rod, and pull through and out of the ceiling rose.

Mount the lamp-holder assembly onto the cross member bottom plate.

Use the 2 x M6 screws (provided) to mount the S - Arm Assembly on to the cross member bottom plate.



## 4. Fix the mounting plate to the ceiling.

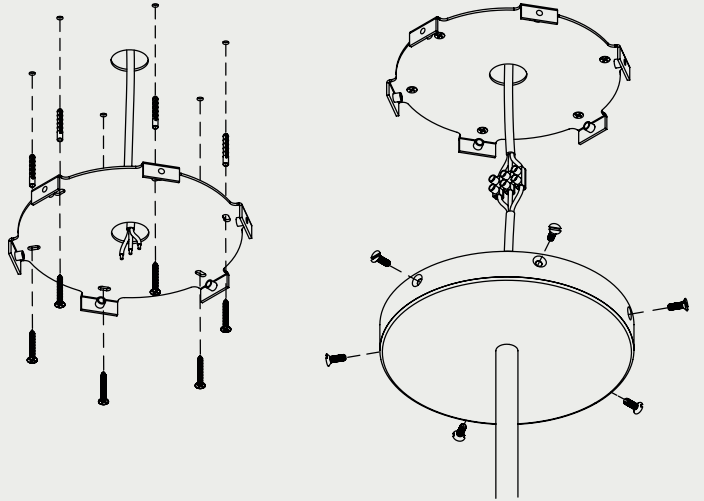
Ensure that suitable screws are being used for the surface you are mounting to (not supplied).

Attach the safety wire onto a strong and stable point on the ceiling to secure the pendant (strong enough to support 100kg).

Raise the pendant and make the electrical connections within ceiling rose, ensuring all wires are colour matched and the pendant is earthed correctly.

Bring the ceiling rose up to the mounted plate and secure using provided screws.

Note: Ensure that the weight of the pendant is fully supported during the electrical installation.



## 4. 120V

### US Fix the mounting plate over the junctionbox.

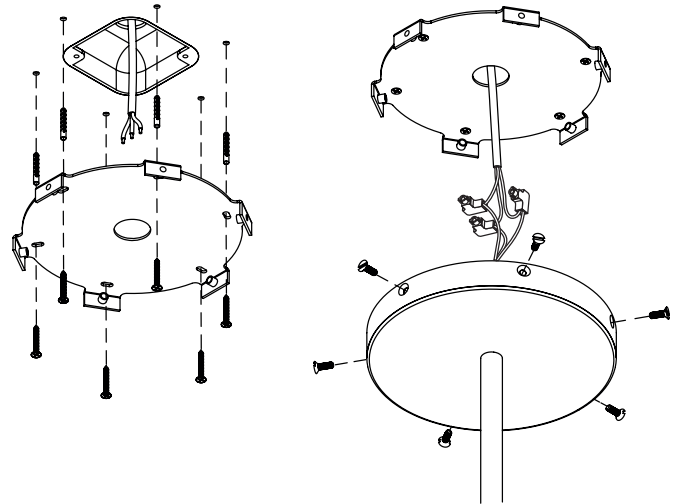
Ensure that suitable screws are being used for the surface you are mounting to (not supplied).

Attach the safety wire onto a strong and stable point on the ceiling to secure the pendant (strong enough to support 100kg).

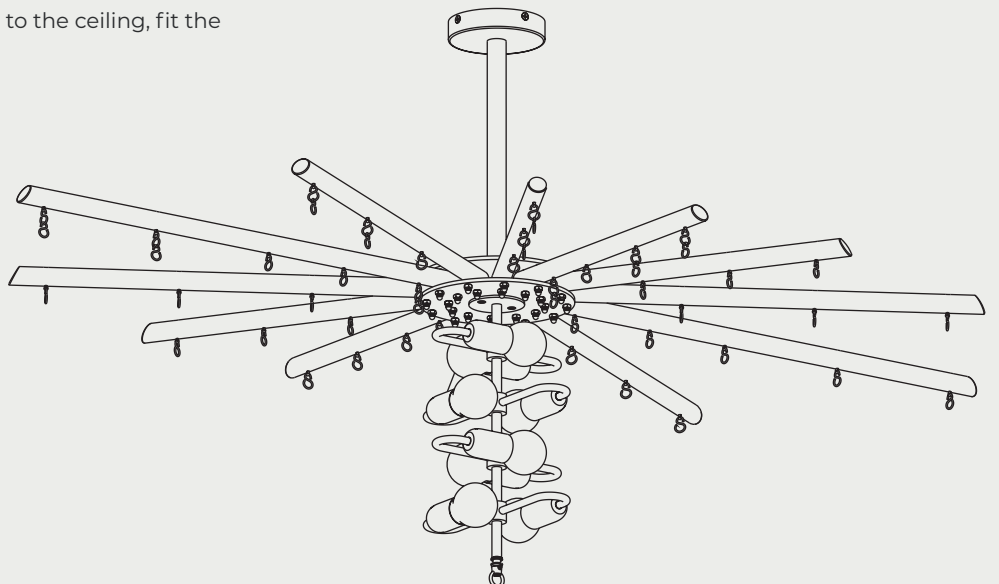
Raise the pendant and make the electrical connections inside the junction box ensuring all wires are colour matched and the pendant is earthed correctly.

Bring the ceiling rose up to the mounted plate and secure using provided screws.

Note: Ensure that the weight of the pendant is fully supported during the electrical installation.



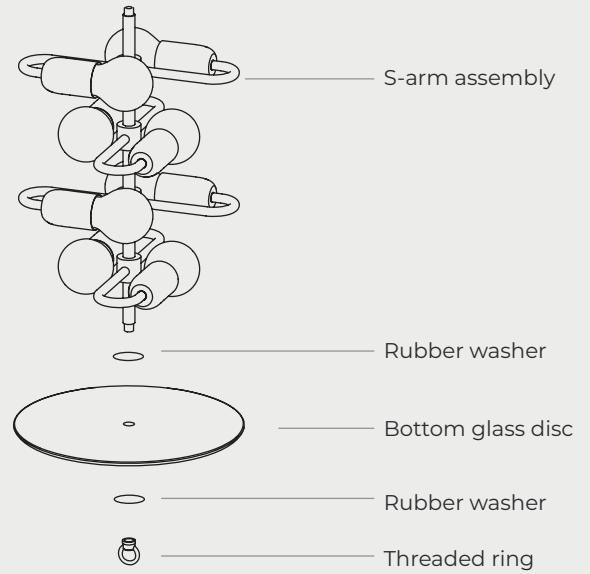
## 5. With the cross member attached to the ceiling, fit the 8 light bulbs.



6. Fit the bottom glass disc to the lamp holder assembly using the threaded ring and rubber washers each side of the glass (as shown in diagram).

Do not over tighten the threaded ring as it may cause the glass disc to crack.

Tighten M3 screw located on the side of the threaded ring to secure the glass disc.

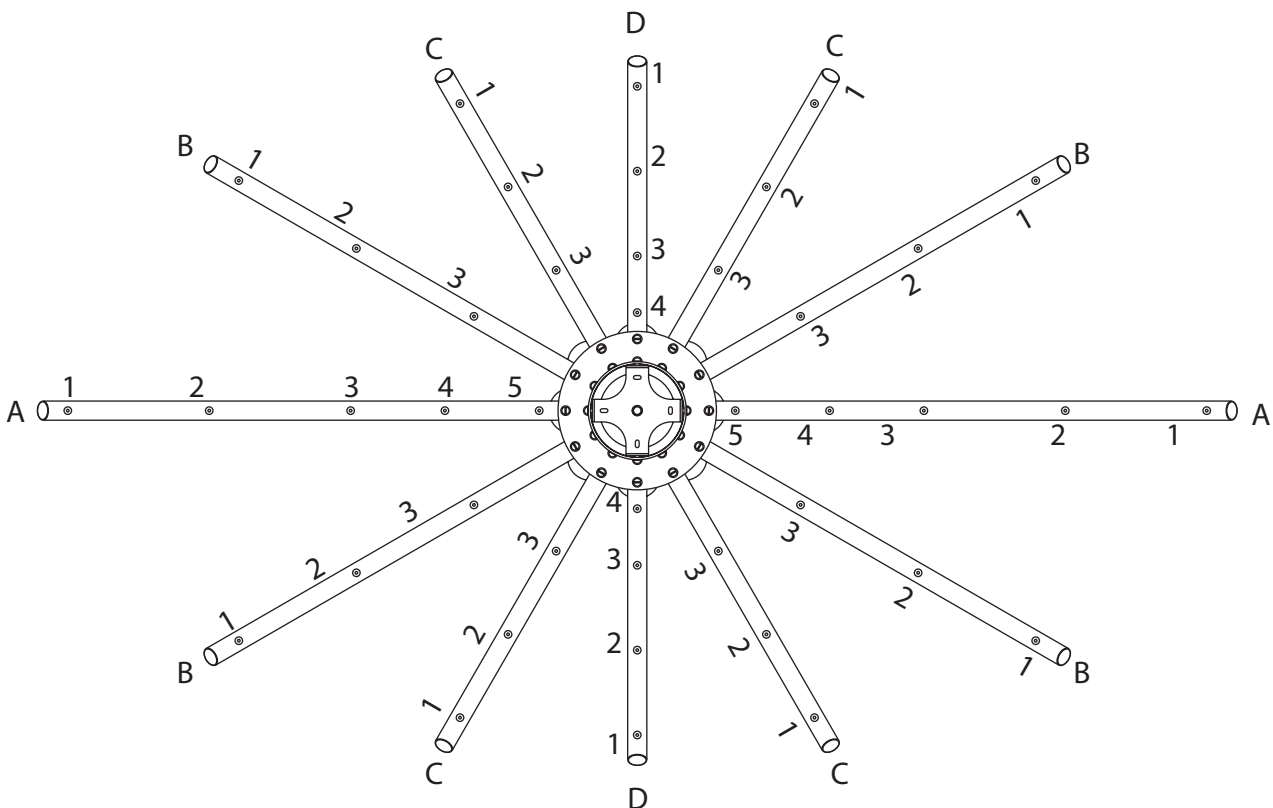


7. Using the diagram and the labeled glass, hang the vertical glass discs on to the cross-member's arms.

Start from the centre of the pendant (4 x long glass discs: A5 & D4) and evenly work your way outwards with the weight evenly distributed.

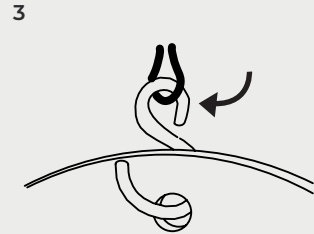
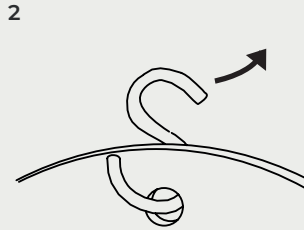
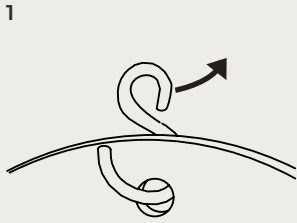
Note: a. Please see details 1-4 (next page) for opening and closing the hooks to secure the glass discs.

b. Ensure that the coarse face of the glass is facing outwards and that they are all spaced evenly.

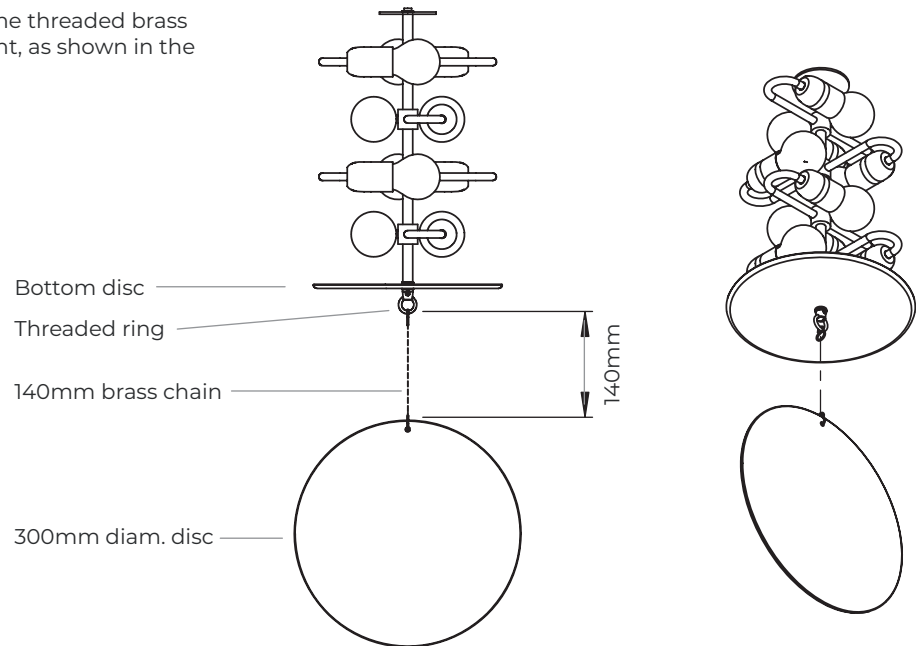


8. Using a pair of pliers, carefully open the glass mounting hooks (1) wide enough to fit the pin, attached on the frame (2).

Fit the hooks to the pin and carefully close the hooks with the pliers (3) taking care not to damage the glass or the fitting.



9. Hang the remaining disk from the threaded brass ring at the bottom of the pendant, as shown in the diagram.





## MAINTENANCE

### Cleaning

Dust using a dry lint-free cloth weekly or as required

### Repairs

Contact  
CTO Lighting

### Warranty

Please visit  
[www.ctolighting.co.uk/  
pages/f-a-q](http://www.ctolighting.co.uk/pages/f-a-q)  
for CTO warranty policy

### Certification



E492308