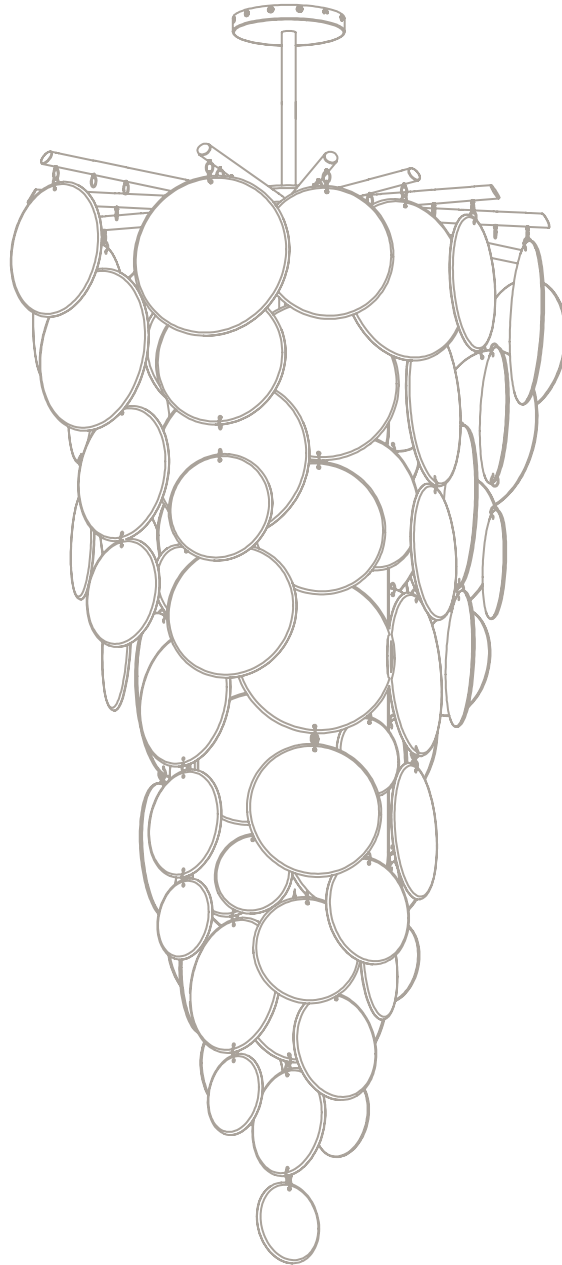


NIMBUS CASCADE CHANDELIER

Installation Guide



!

Please handle with care and wear gloves at all times during assembly and installation to avoid damaging components.

TECHNICAL

Bulb Holder

240v - 14 x E27, 2 x GU10
120v - 14 x E26, 2 x GU10
(no bulbs supplied)

Wattage

14 x 60w max (or 8w LED 2700k)
2 x 50w max (or 5.5w LED
2700k)

Weight

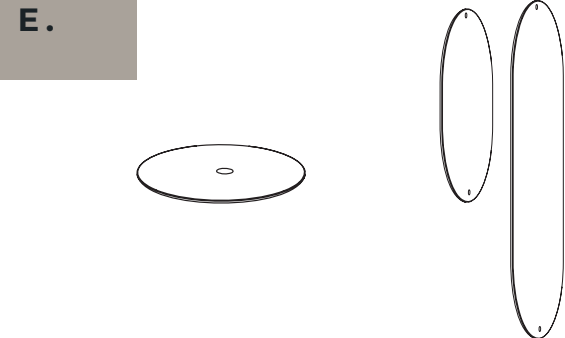
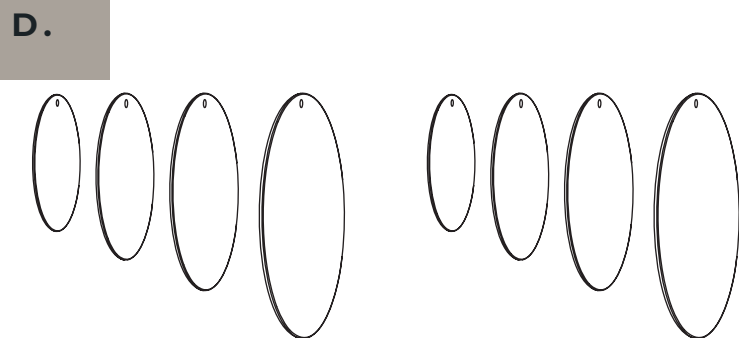
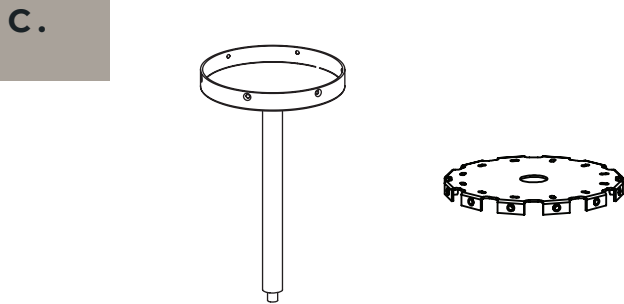
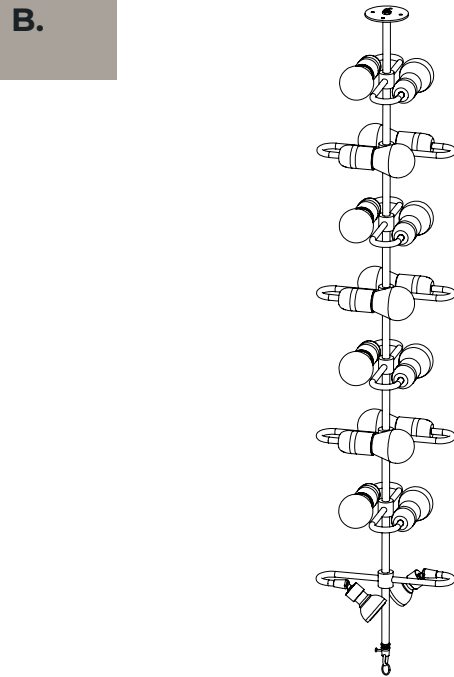
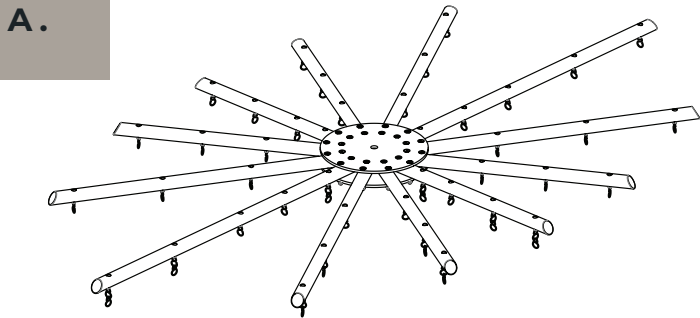
100kg (220.5lbs)

PARTS & COMPONENTS

A. 1 x Nimbus cascade cross member
B. 1 x Lamp holder assembly
C. 1 x Ceiling rose and drop rod,
1 x Mounting plate

D. Glass discs
Glass discs with 1 x hole
11 x 150mm diam.
14 x 200mm diam.
18 x 250mm diam.
8 x 300mm diam.

E. 4 x Long glass discs 260 x 500mm
4 x Long glass discs 260 x 800mm
1 x Bottom glass disc



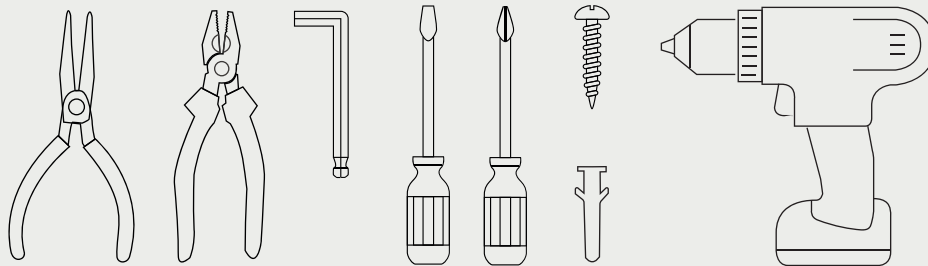
- All nuts and bolts required for the installation will be included in the delivery.
- All glass discs will be supplied labelled and ready to be mounted on to the cross member (hooks and chain attached).
- Few spare hooks are supplied, use them only in the occasion of some missing from the glass discs.



BEFORE INSTALLATION

- Check that you have all components before starting the installation.
 - Installation must be carried out by a qualified electrician.
 - A minimum of two people is required to install a pendant light.
- Check that the ceiling or wall fixings are suitable and strong enough to support the weight of the light fixture.
 - You will need the below specific tools for a successful installation..

If height adjustment on site is required please see height adjustment instructions on page 4, before you start assembling the pendant.



HEIGHT ADJUSTMENT INSTRUCTIONS

Before attaching the drop-rod to the body of the light, calculate the required total drop from ceiling to bottom of pendant. If any height adjustment is required, follow the steps below:

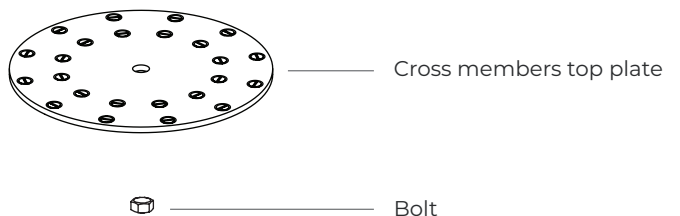
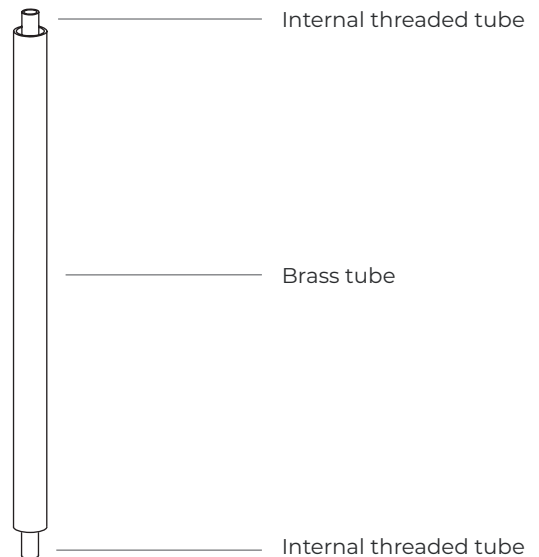
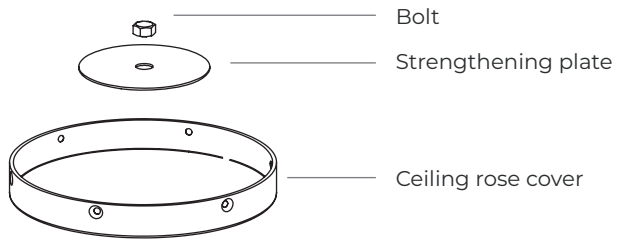
1. Separate the brass tube and the internal threaded tube from the ceiling rose cover by unscrewing the bolt.
2. Measure the length the drop rod needs to be.
3. Cut the brass tube to this length using a hacksaw or similar tool.
4. Cut the same length from the internal threaded tube using a hacksaw or similar tool.

NOTE: You must allow 25mm extra internal threaded tube at each end of the brass tube so that it can be bolted into place with the nuts provided.

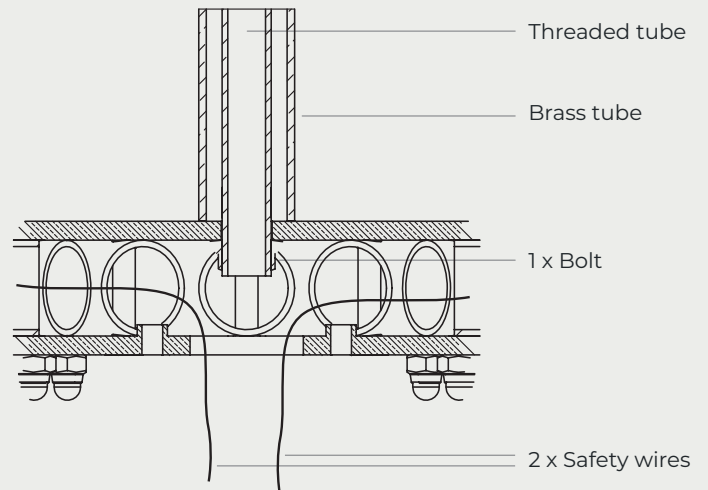
5. Once the brass tube and internal threaded tube are cut to the correct lengths, assemble them back together by using all components provided and mount the internal threaded tube to the ceiling rose cover using the bolt.

Ensure that the bolts are tightened and fully secure.

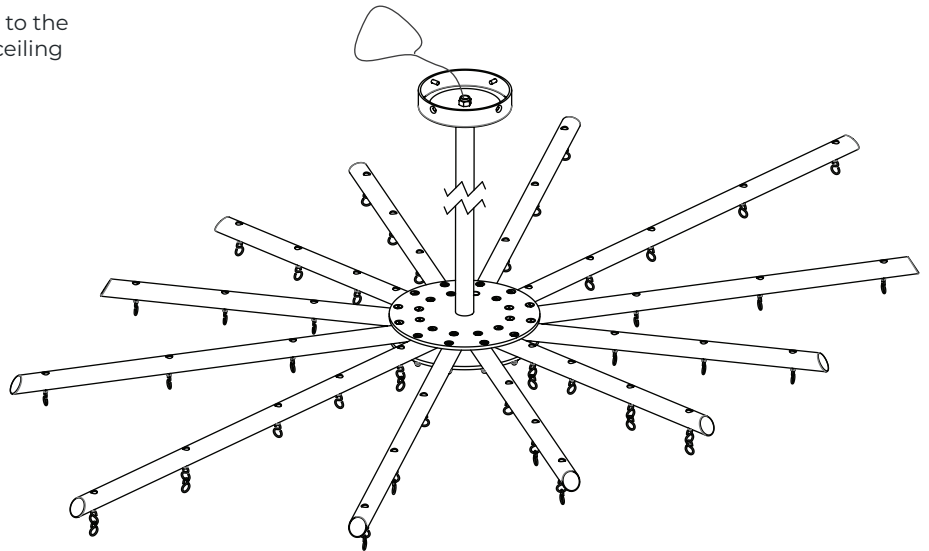
8. Slide the brass tube over the internal threaded tube and attach the top plate of cross-member with bolt, as shown.
9. Once satisfied with the fit secure bolts and all-thread with Loc-tite or similar adhesive.



1. Use bolt (provided) to assemble the drop rod (threaded tube) with the top plate of the cross member (socket set required).



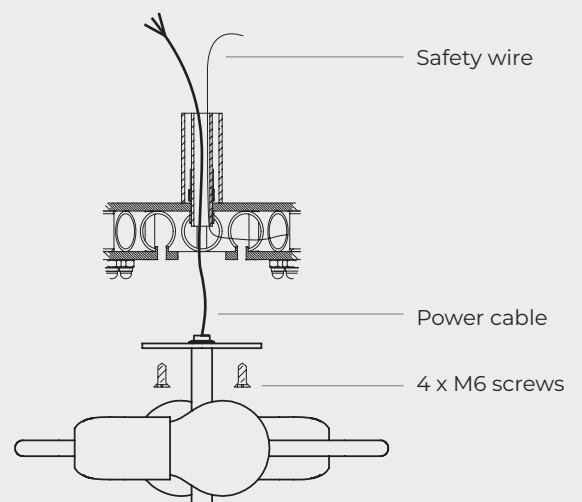
2. Insert the 2 x safety wires (already attached to the cross-member) through the drop-rod and ceiling cover plate.



3. Insert the power cable through the cross member and drop rod, and pull through and out of the ceiling cover box.

Mount the lamp holder assembly onto the cross member bottom plate.

Use the 4 x M6 screws (provided) to mount the S-arm assembly on to the cross member bottom plate.



4. Fix the mounting plate to the ceiling.

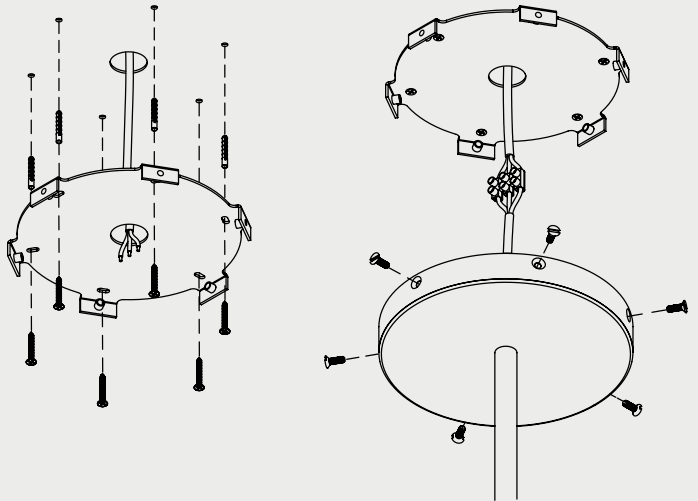
Ensure that suitable screws are being used for the surface you are mounting to (not supplied).

Attach the safety wire onto a strong and stable point on the ceiling to secure the pendant (strong enough to support 200kg).

Raise the pendant and make the electrical connections within ceiling rose, ensuring all wires are colour matched and the pendant is earthed correctly.

Bring the ceiling rose up to the mounted plate and secure using provided screws.

Note: Ensure that the weight of the pendant is fully supported during the electrical installation.



4. 120V

US Fix the mounting plate over the junctionbox.

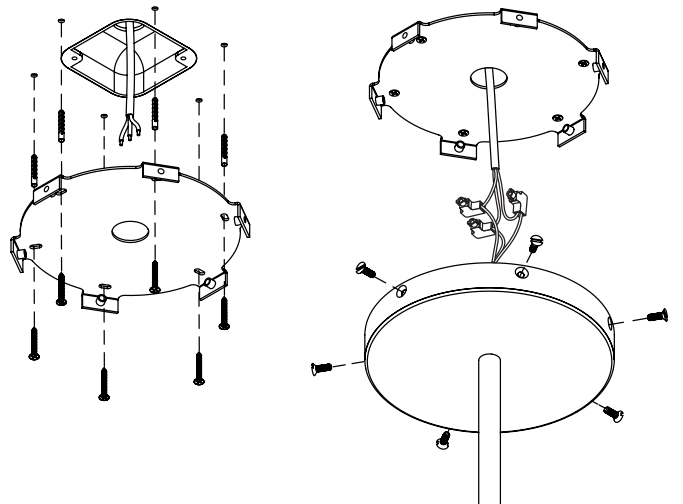
Ensure that suitable screws are being used for the surface you are mounting to (not supplied).

Attach the safety wire onto a strong and stable point on the ceiling to secure the pendant (strong enough to support 200kg).

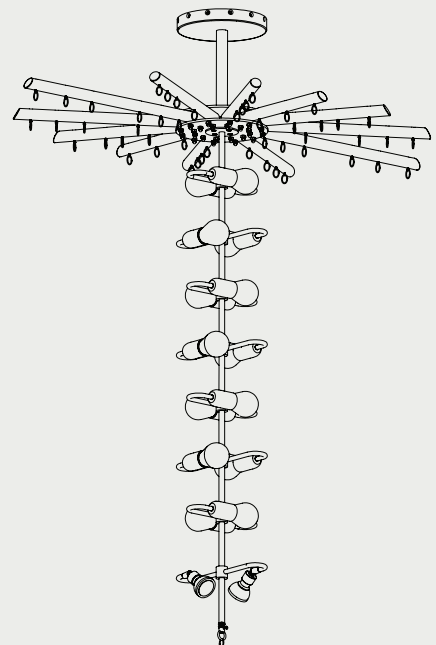
Raise the pendant and make the electrical connections inside the junction box ensuring all wires are colour matched and the pendant is earthed correctly.

Bring the ceiling rose up to the mounted plate and secure using provided screws.

Note: Ensure that the weight of the pendant is fully supported during the electrical installation.



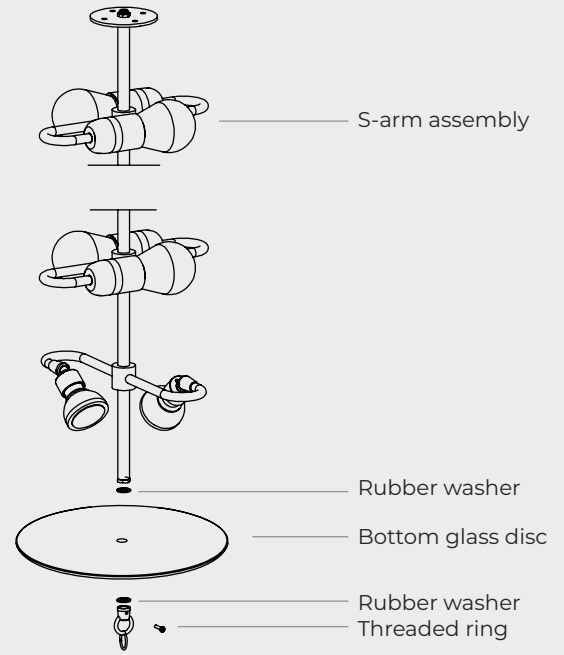
5. With the cross member attached to the ceiling, fit the light bulbs.



6. Fit the bottom glass disc to the S-arm assembly using the threaded ring and rubber washers each side of the glass (as shown in diagram).

Do not over tighten the threaded ring as it may cause the glass disc to crack.

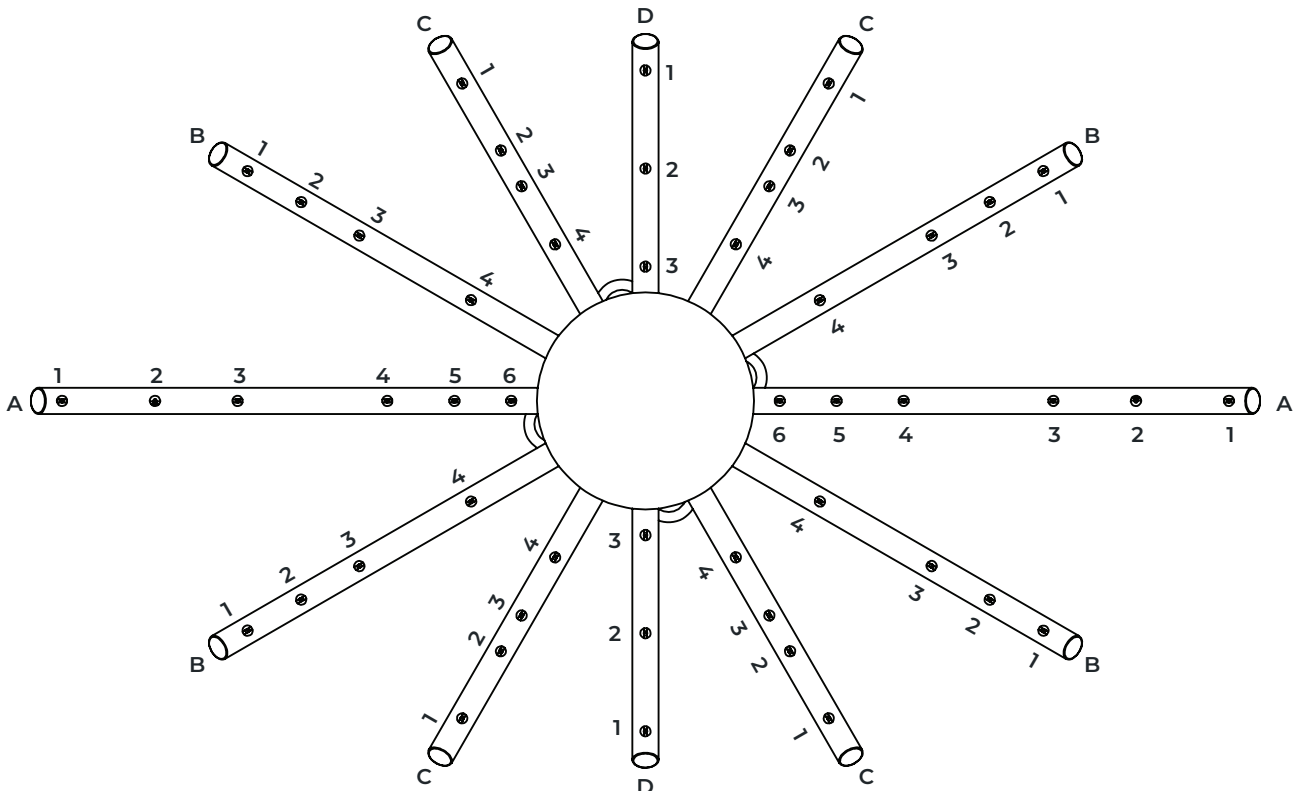
Tighten M3 screw located on the side of the threaded ring to secure the glass disc.

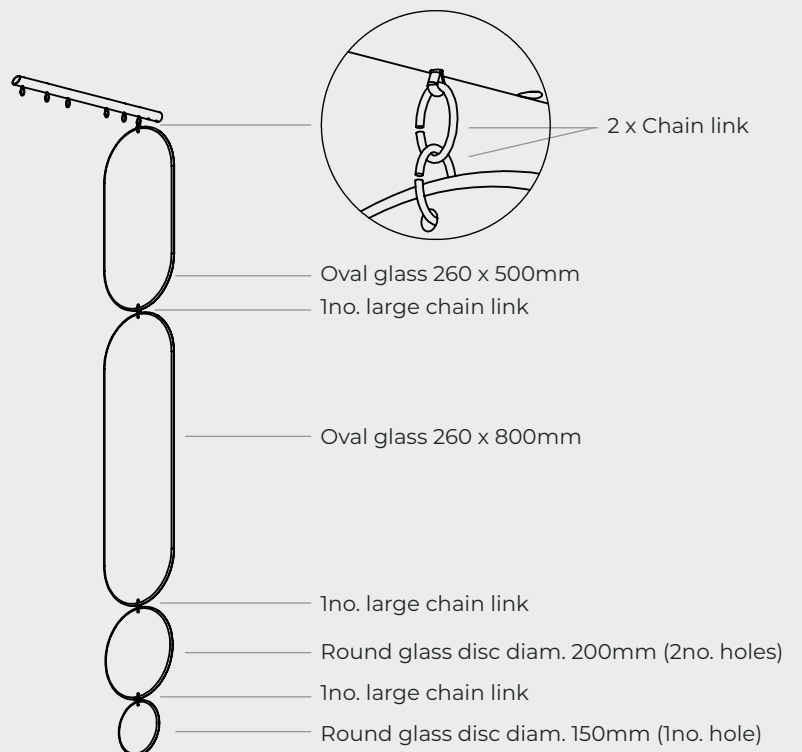
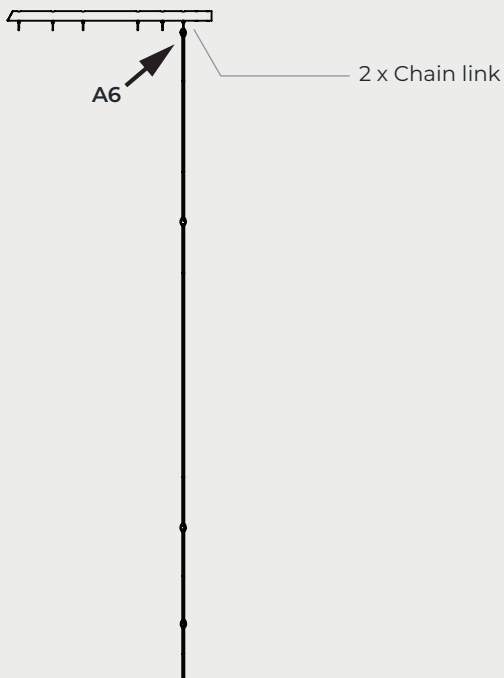
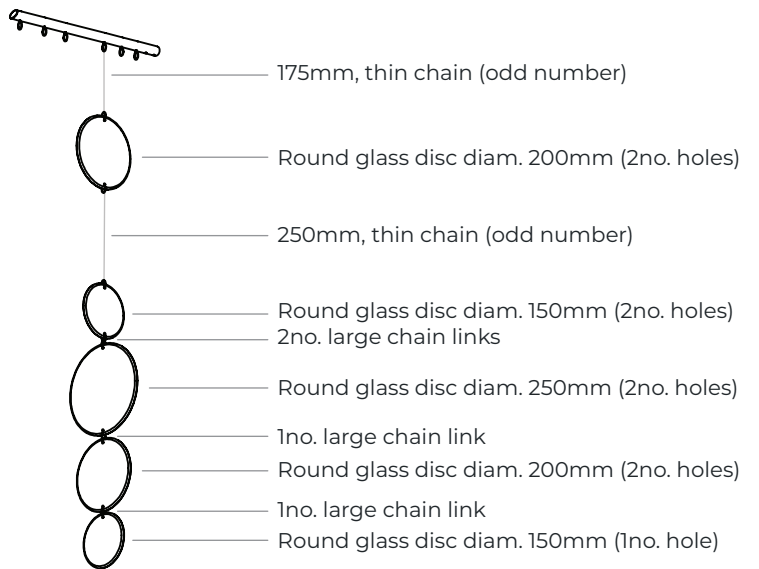
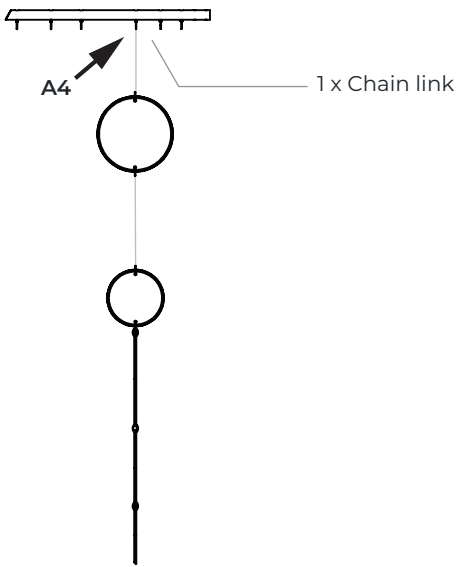
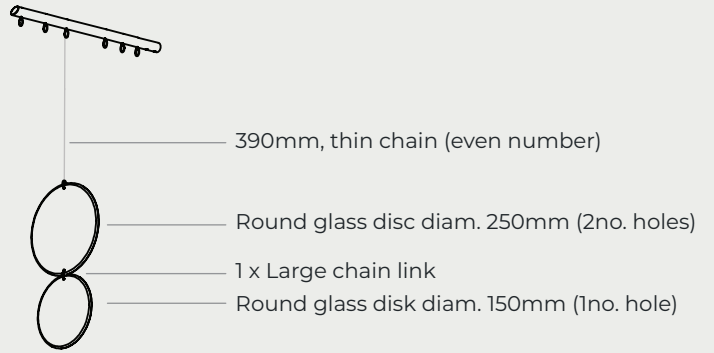
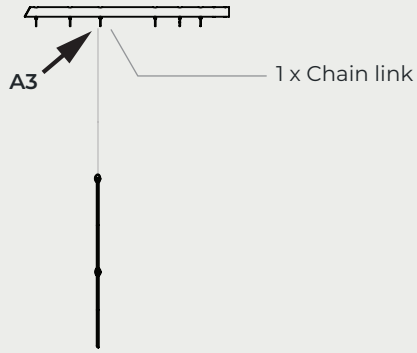


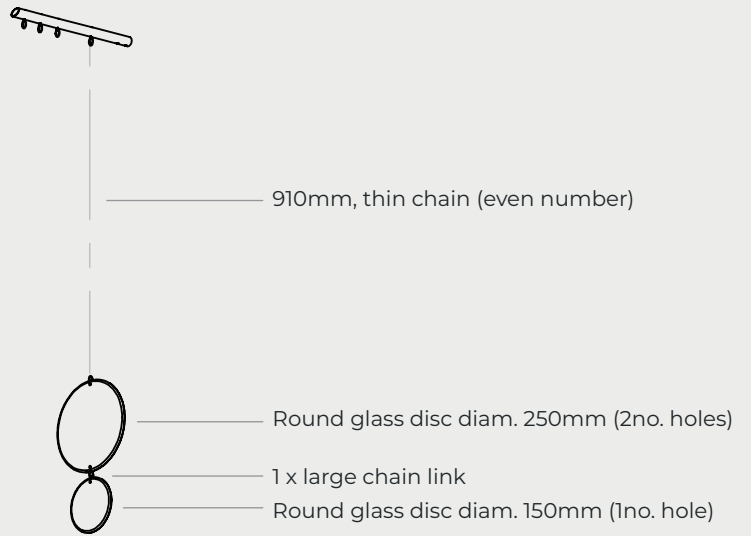
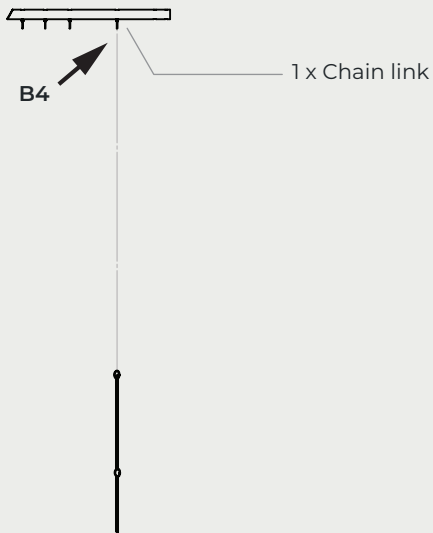
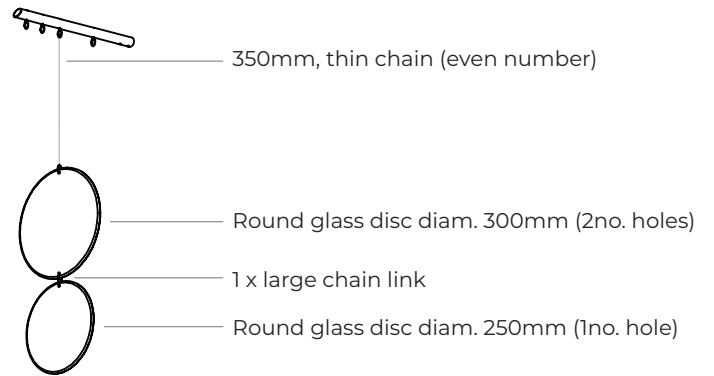
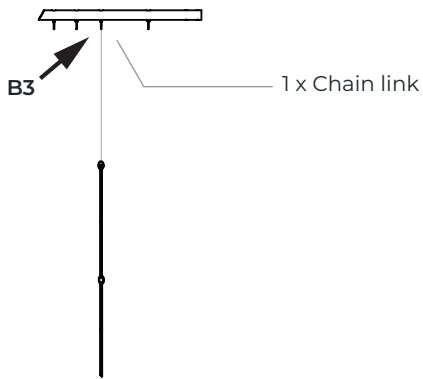
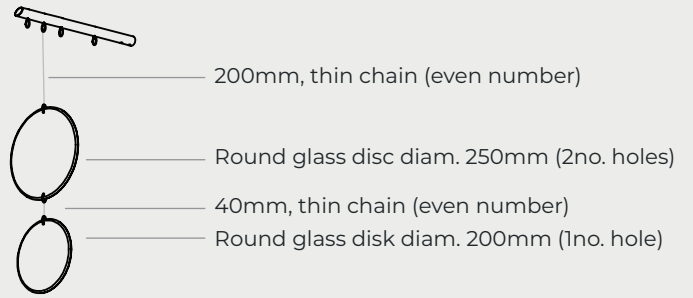
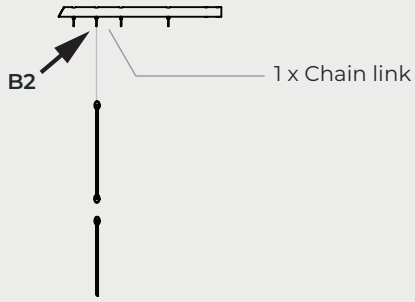
7. Using the below diagram and the labeled glass, hang the vertical glass disks and glass chains on to the cross-member's arms.

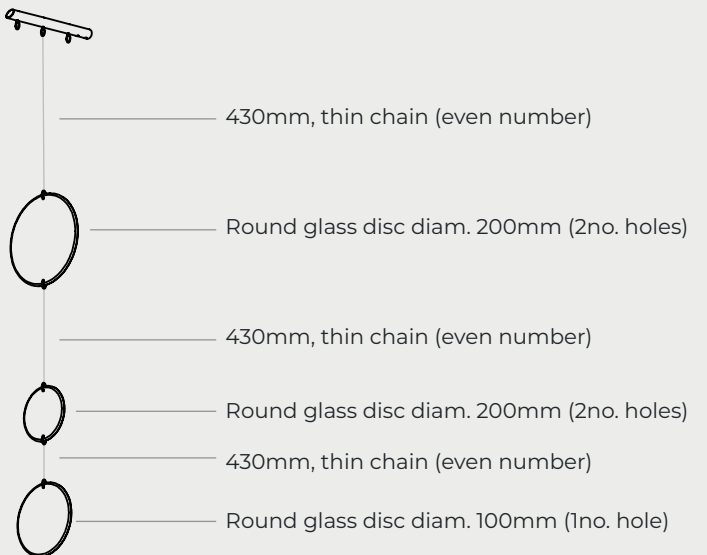
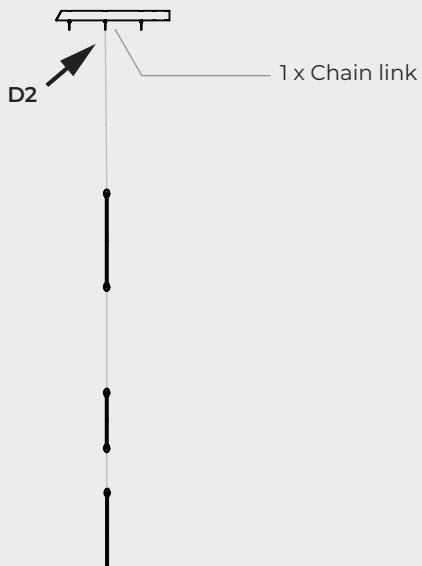
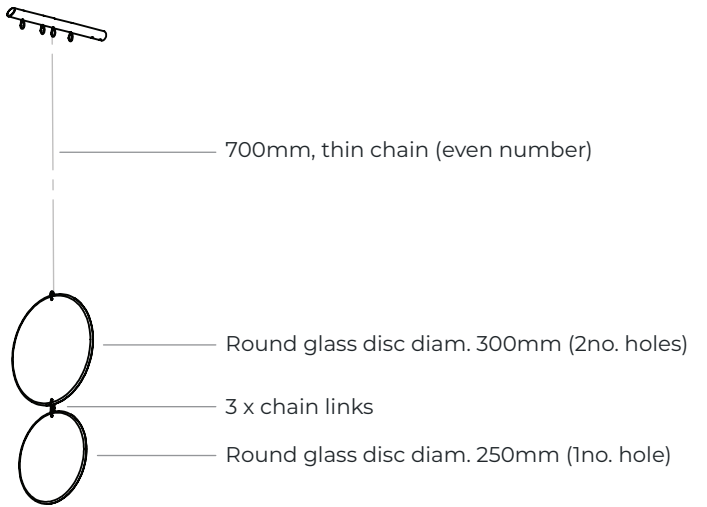
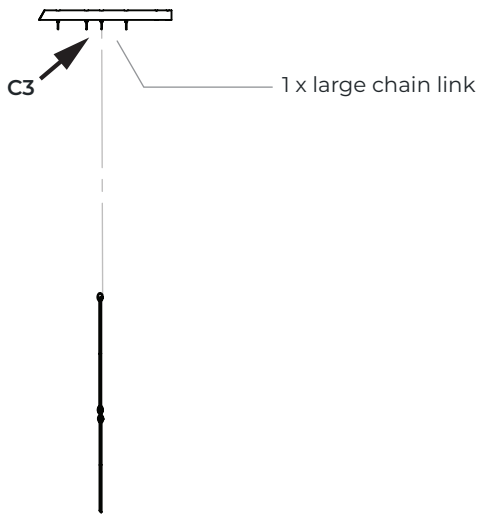
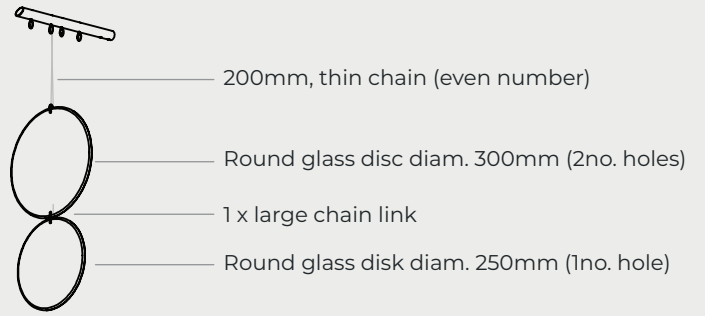
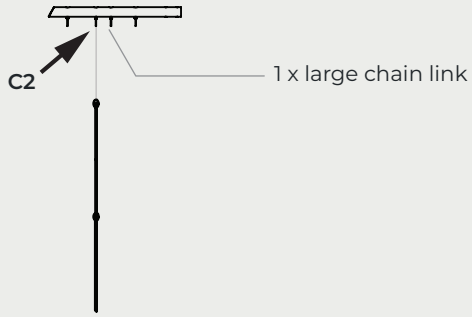
Start from the centre of the pendant (A6 & D3) and evenly work your way outwards with the weight evenly distributed.

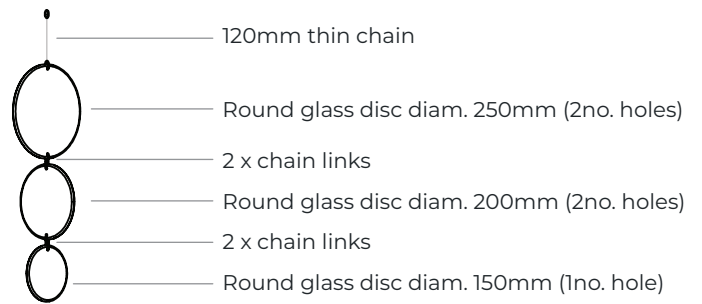
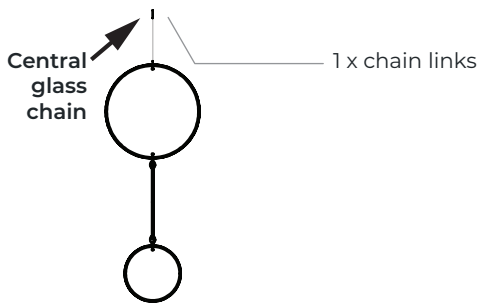
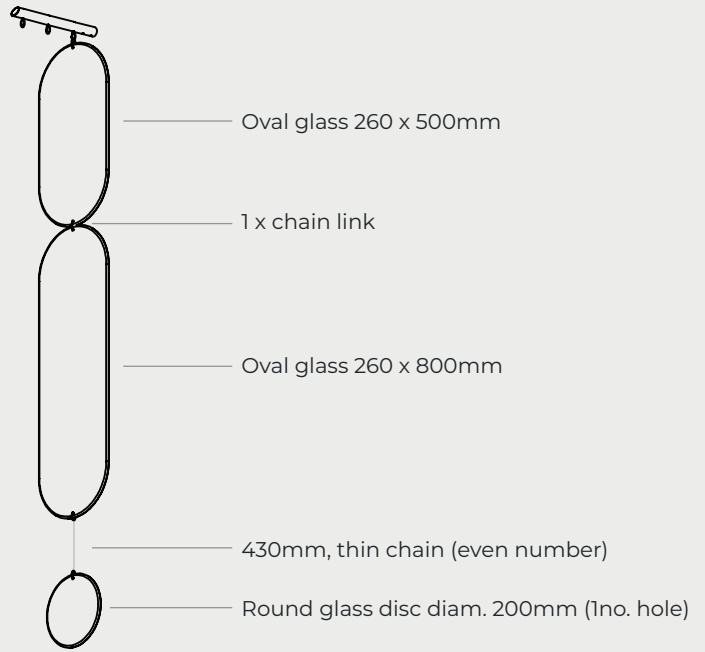
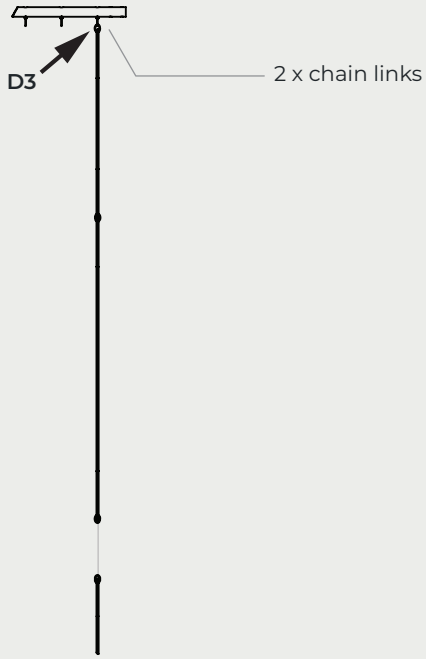
Take care when un-wrapping each section of glass and ensure that they all hang as shown on pages 6-9.



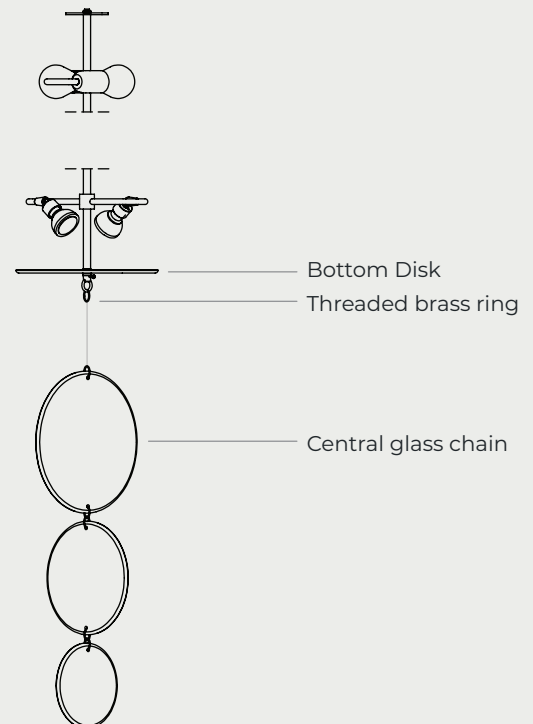








8. Hang the 'central glass chain' disks from the threaded brass ring at the bottom of the pendant, as shown in the diagram.



MAINTENANCE

Cleaning

Dust using a dry lint-free cloth weekly or as required

Repairs

Contact
CTO Lighting

Warranty

Please visit
[www.ctolighting.co.uk/
pages/f-a-q](http://www.ctolighting.co.uk/pages/f-a-q)
for CTO warranty policy

Certification



E492308