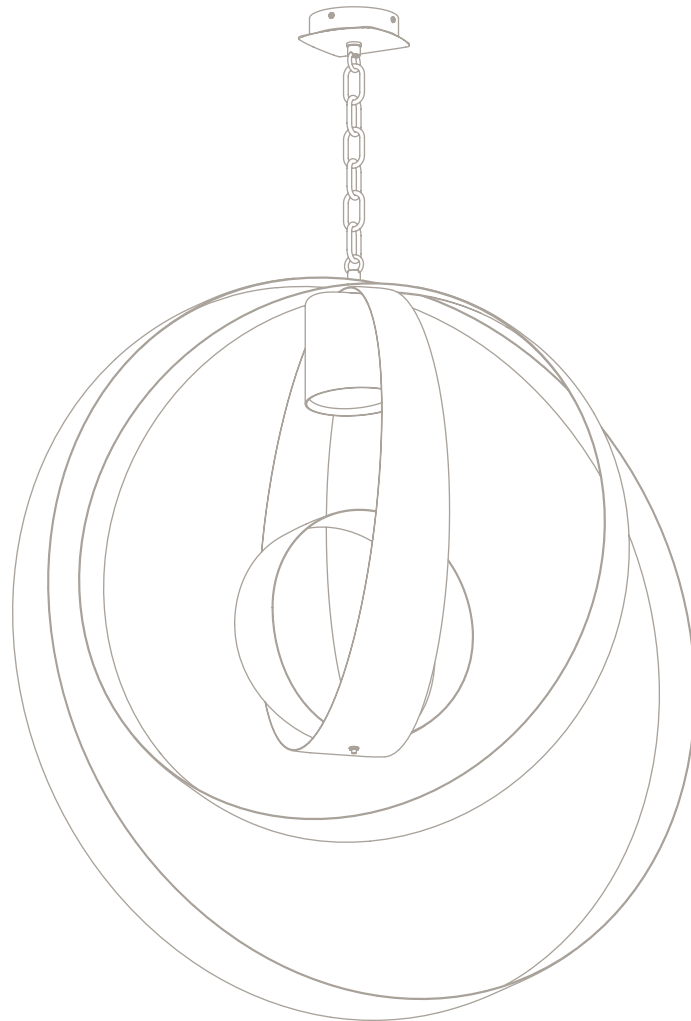


LUNAR MEDIUM PENDANT

Installation Guide



!

Please handle with care and wear gloves at all times during assembly and installation to avoid damaging components.

TECHNICAL

Bulb Holder
240v - 1 x GU10
120v - 1 x GU10
(no bulbs supplied)

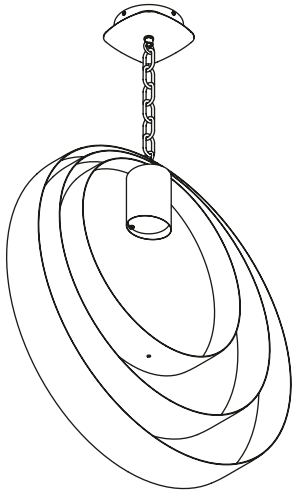
Wattage
50w max (or 5.5w LED 2700k)

Weight
8kg (17.6lbs)

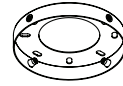
PARTS & COMPONENTS

- A. 1 x Lunar medium body
- B. 1 x Mounting plate
- C. 1 x Internal ring

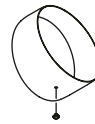
A.



B.



C.

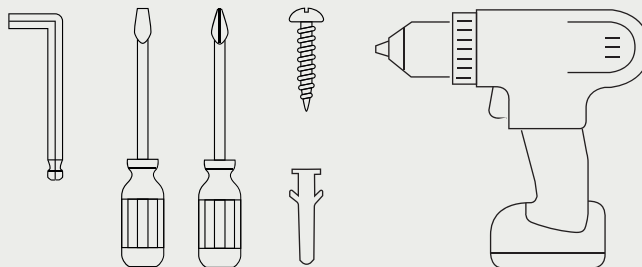


- All nuts and bolts required for assembling the light are included.

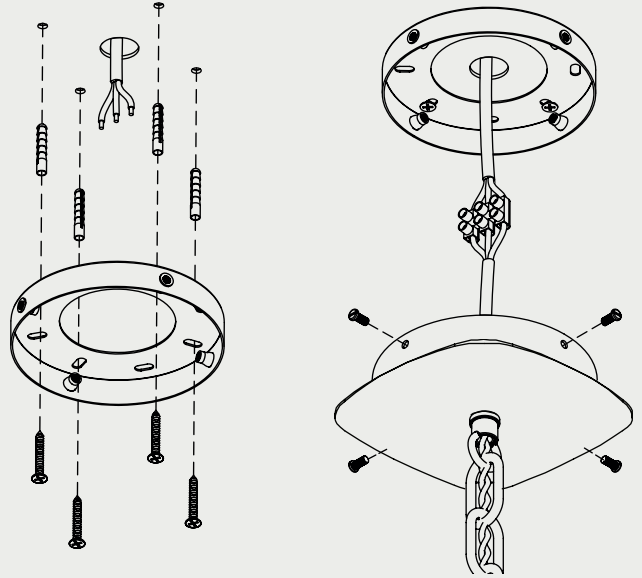


BEFORE INSTALLATION

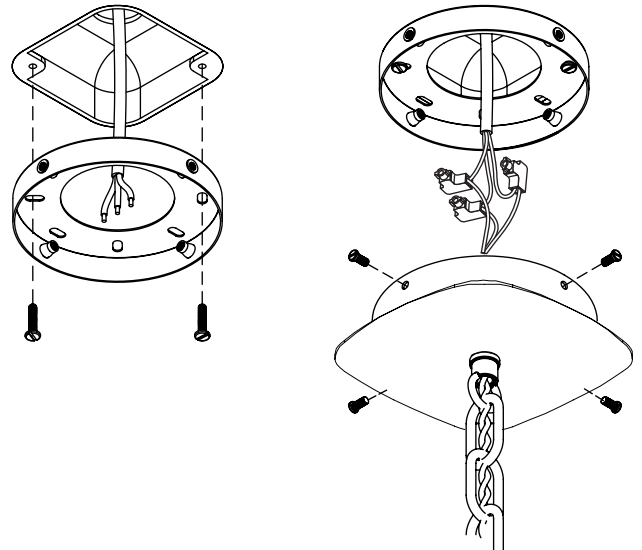
- Check that you have all components before starting the installation.
 - Installation must be carried out by a qualified electrician.
 - A minimum of two people is required to install a pendant light.
- Check that the ceiling or wall fixings are suitable and strong enough to support the weight of the light fixture.
 - You will need the below specific tools for a successful installation.



- 1.
- A. Fix the mounting plate to the ceiling. Ensure that suitable screws are being used for the surface that you are mounting to (not supplied).
 - B. Raise the pendant and make the electrical connections ensuring all wires are colour matched and the pendant is earthed correctly.
 - C. Bring the ceiling box cover up to the mounted plate and secure with the four screws
- Note: Ensure that the chain alone supports the full weight of the pendant. The cable **MUST NOT** support any of the pendant weight.

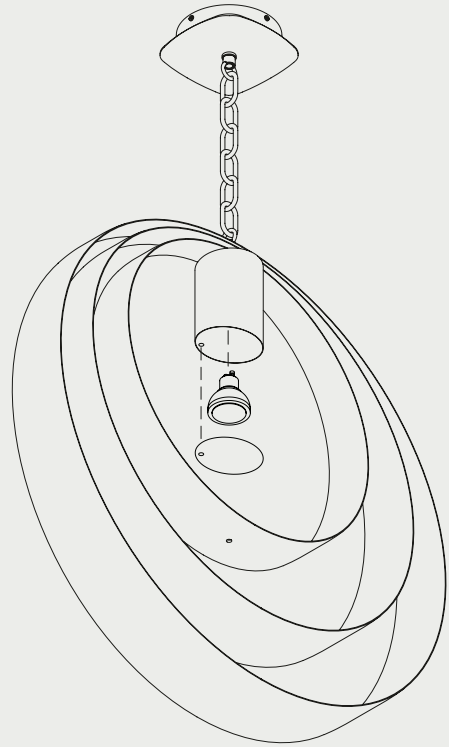


1. 120V
US
- A. Fix the mounting plate to the junction box using suitable screws (not supplied).
 - B. Raise the pendant and make the electrical connections inside the junction box ensuring all wires are colour matched and the pendant is earthed correctly.
 - C. Bring the ceiling box cover up to the mounted plate and secure with the four screws
- Note: Ensure that the chain alone supports the full weight of the pendant. The cable **MUST NOT** support any of the pendant weight.

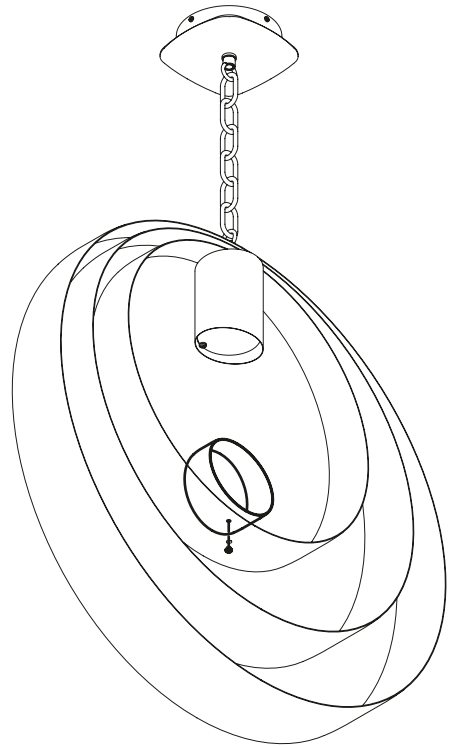


3. Unscrew the brass mesh from the can, fit in the bulb (not supplied).

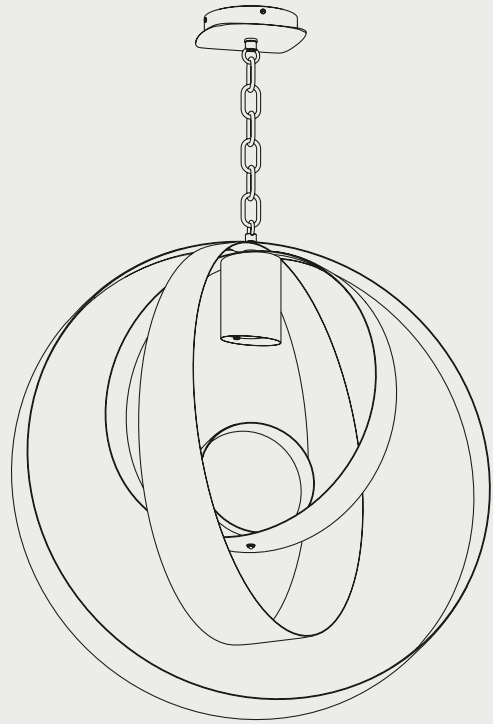
Screw the mesh back into place carefully.



4. Unscrew the bolt off the inner ring, bring the inner ring to the Lunar Medium body and screw into place securely

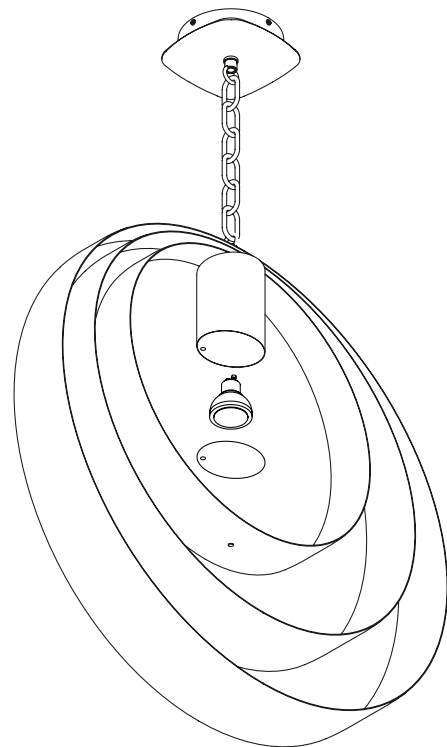


5. Open the rings out of the Lunar Medium as shown in the illustration.



6. To replace the bulb:

Remove the mesh from the can as per Step 3, replace the bulb, raise the mesh and screw it back to the can by using the brass screw provided.



MAINTENANCE

Cleaning

Dust using a dry lint-free cloth weekly or as required

Repairs

Contact
CTO Lighting

Warranty

Please visit
[www.ctolighting.co.uk/
pages/f-a-q](http://www.ctolighting.co.uk/pages/f-a-q)
for CTO warranty policy

Certification



E492308