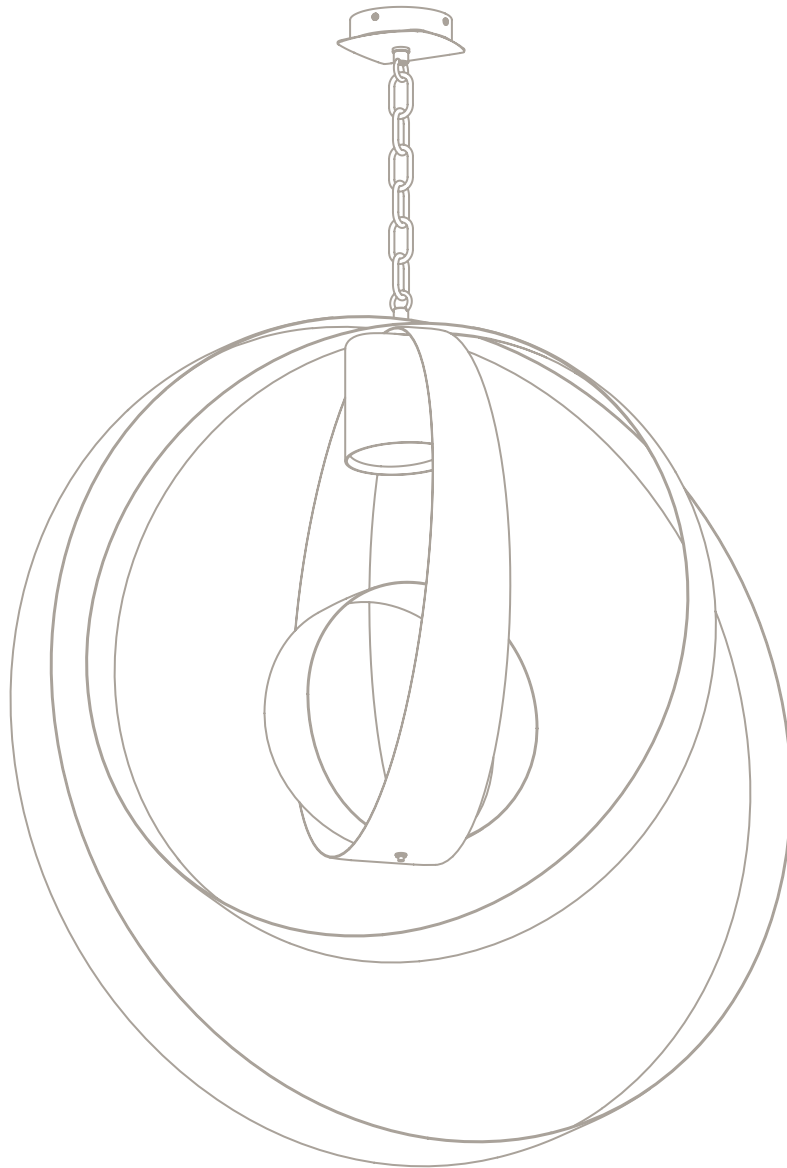


LUNAR LARGE PENDANT

Installation Guide



!

Please handle with care and wear gloves at all times during assembly and installation to avoid damaging components.

TECHNICAL

Bulb Holder
240v - 1 x E27
120v - 1 x E26
(no bulbs supplied)

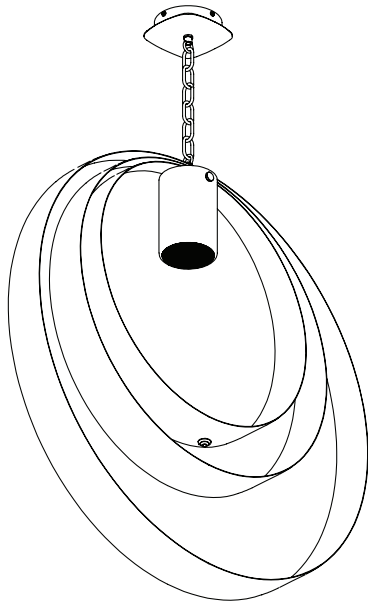
Wattage
12.5w PAR 30 2700k - LED ONLY

Weight
17kg (37.5lbs)

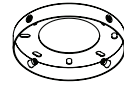
PARTS & COMPONENTS

- A. 1 x Lunar large body
- B. 1 x Mounting plate
- C. 1 x Internal ring

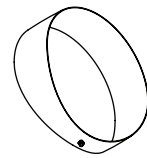
A.



B.



C.

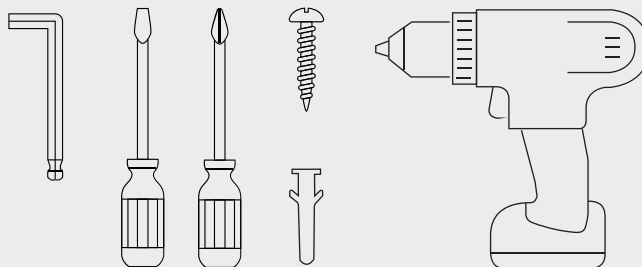


- All nuts and bolts required for assembling the light are included.



BEFORE INSTALLATION

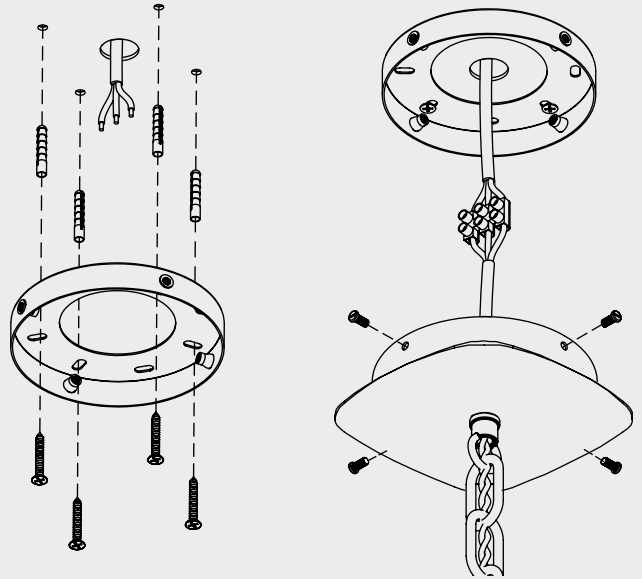
- Check that you have all components before starting the installation.
 - Installation must be carried out by a qualified electrician.
 - A minimum of two people is required to install a pendant light.
- Check that the ceiling or wall fixings are suitable and strong enough to support the weight of the light fixture.
 - You will need the below specific tools for a successful installation.



1.

- A. Fix the mounting plate to the ceiling. Ensure that suitable screws are being used for the surface that you are mounting to (not supplied).
- B. Raise the pendant and make the electrical connections ensuring all wires are colour matched and the pendant is earthed correctly.
- C. Bring the ceiling box cover up to the mounted plate and secure with the four screws

Note: Ensure that the chain alone supports the full weight of the pendant. The cable **MUST NOT** support any of the pendant weight.



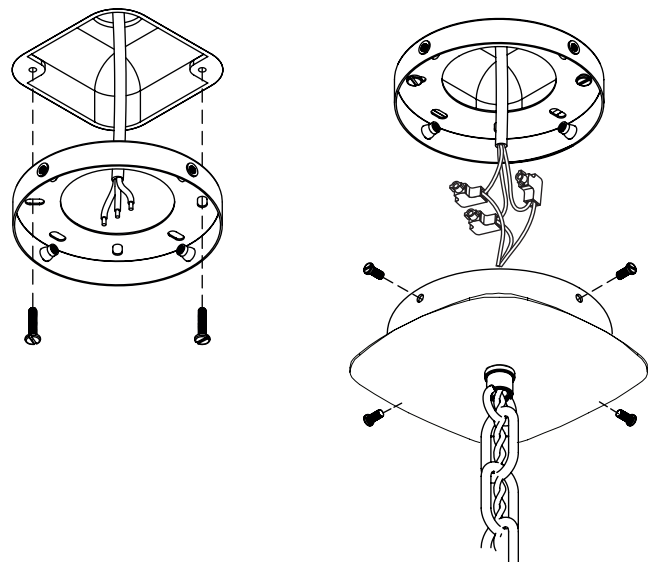
1.

120V

US

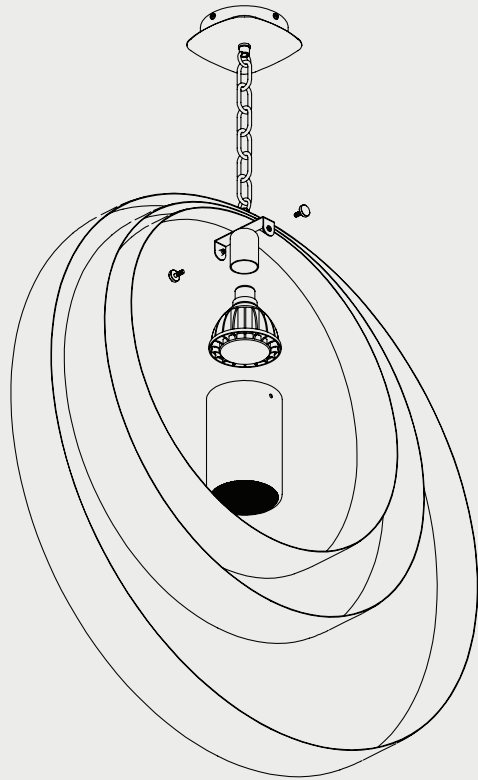
- A. Fix the mounting plate to the junction box using suitable screws (not supplied).
- B. Raise the pendant and make the electrical connections inside the junction box ensuring all wires are colour matched and the pendant is earthed correctly.
- C. Bring the ceiling box cover up to the mounted plate and secure with the four screws

Note: Ensure that the chain alone supports the full weight of the pendant. The cable **MUST NOT** support any of the pendant weight.

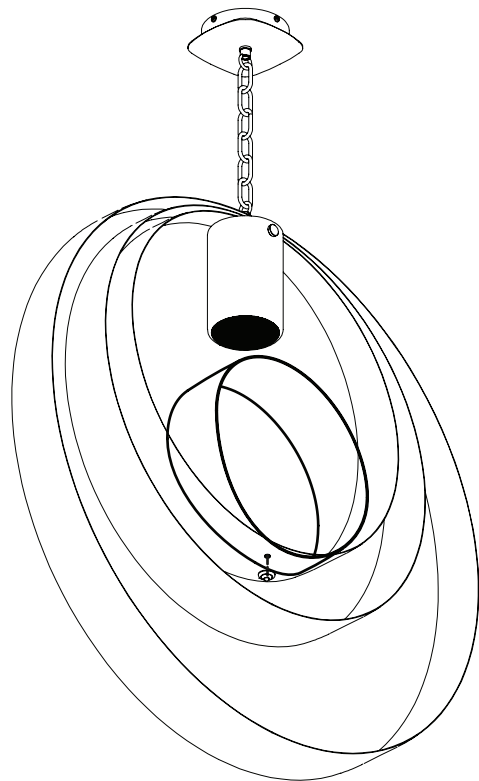


3. Unscrew the two thumb-turn screws from the top of the can and gently lower down the can.

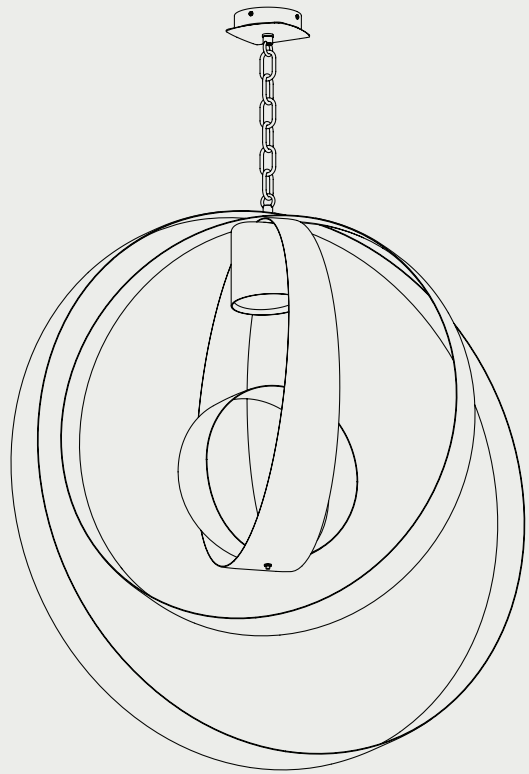
Fit the bulb (not supplied), raise the can and screw the two screws back into place carefully.



4. Unscrew the bolt off the inner ring, bring the inner ring to the Lunar Large body and screw into place securely.

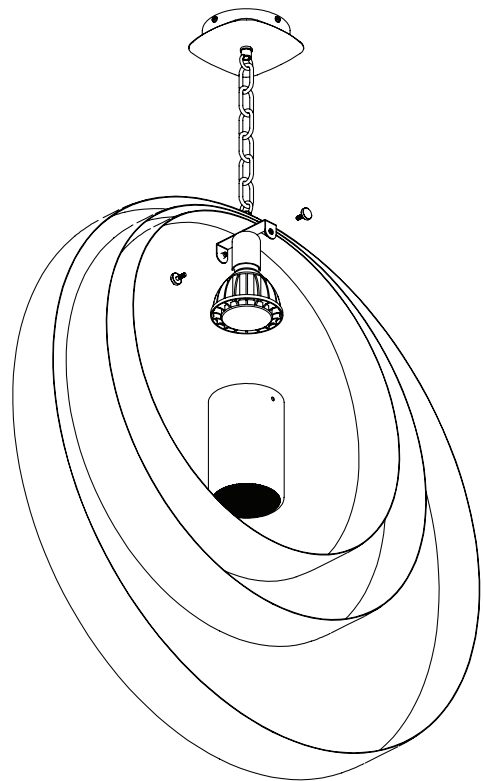


5. Open the rings out of the Lunar Large as shown in the illustration.



6. To replace the bulb:

Remove the can as per Step 3, replace the bulb, raise the can and screw it back to the bracket by using the two brass thumb-turn screws.



MAINTENANCE

Cleaning

Dust using a dry lint-free cloth weekly or as required

Repairs

Contact
CTO Lighting

Warranty

Please visit
[www.ctolighting.co.uk/
pages/f-a-q](http://www.ctolighting.co.uk/pages/f-a-q)
for CTO warranty policy

Certification



E492308