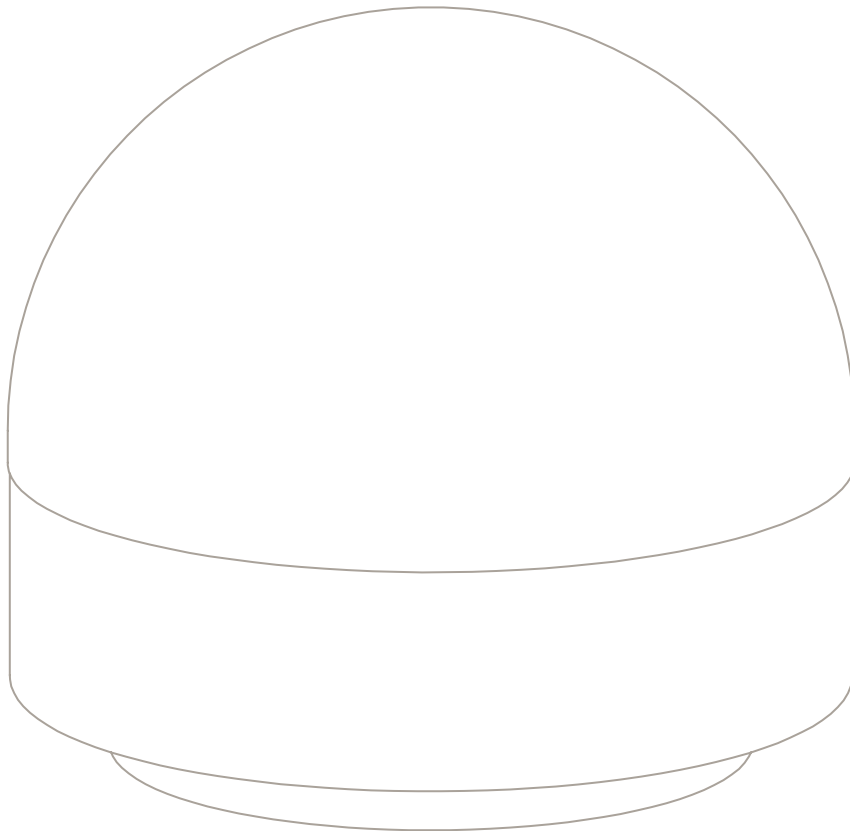


LUCID 300 TABLE

Installation Guide



!

Please handle with care and wear gloves at all times during assembly and installation to avoid damaging components.

TECHNICAL

Bulb Holder
240v - 1 x E27
120v - 1 x E26
(bulbs not supplied)

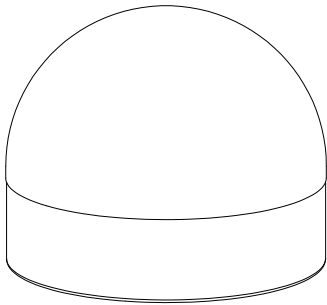
Wattage
8w - 2700k - LED ONLY

Weight
9kg (19.8lbs)

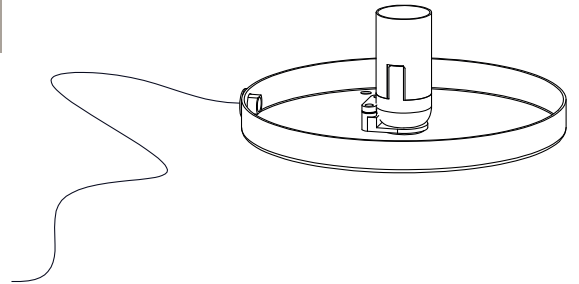
PARTS & COMPONENTS

- A. 1 x Alabaster shade
- B. 1 x Table base
- C. 3 x M4x20 countersunk screws

A.



B.



C.

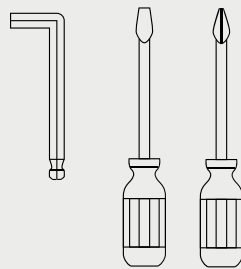


- All nuts and bolts required for the installation will be included in the delivery.

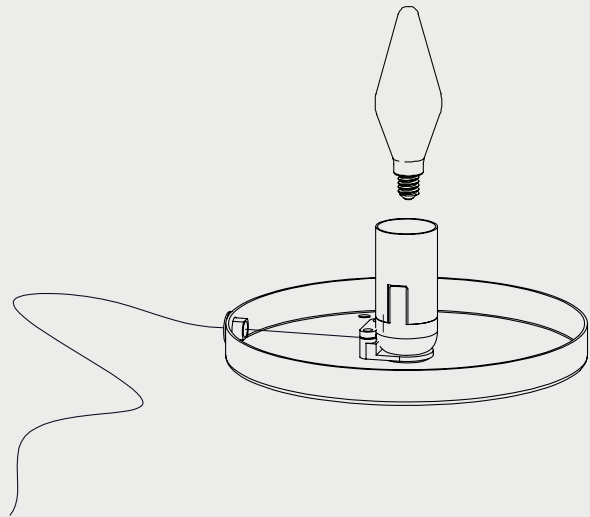


BEFORE INSTALLATION

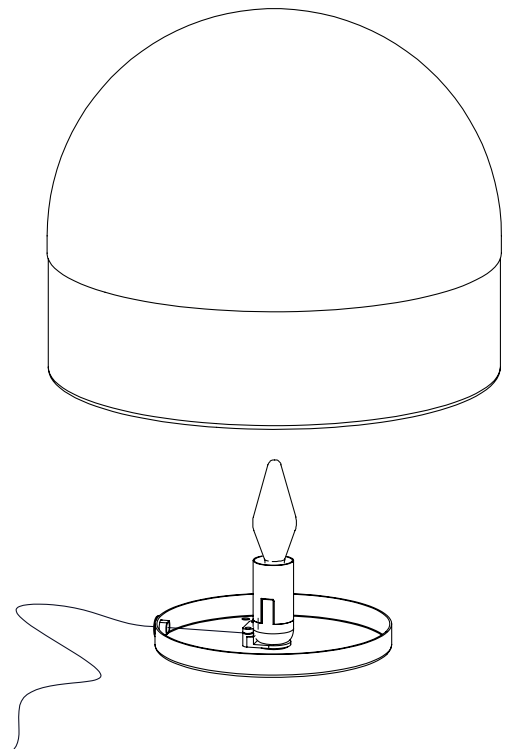
- Check that you have all components before starting assembly.
- Assembly must be carried out by a qualified electrician.
- You will need these specific tools for a successful assemble.



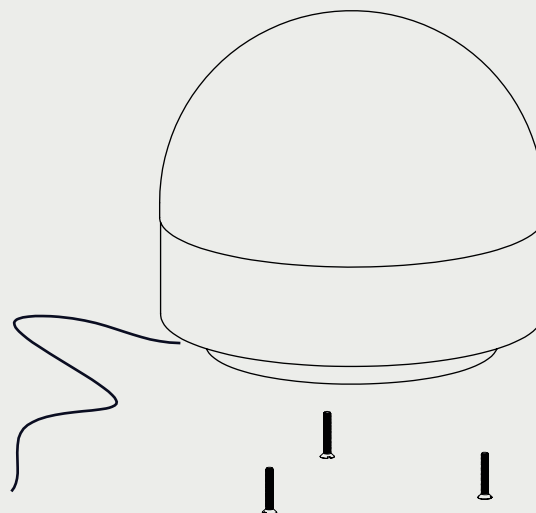
1. Fit the bulb (not supplied) to the lamp-holder.



2. Attach the shade to the table base.



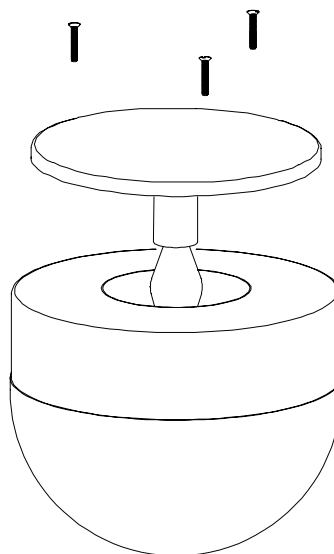
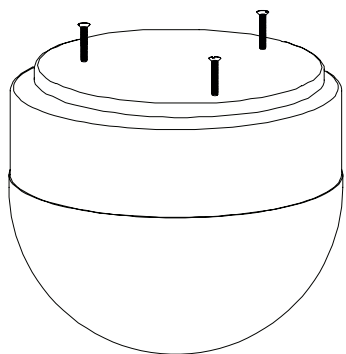
- Secure the shade to the base using the 3 screws supplied.



REPLACE BULB

Remove the 3 screws located under the base of the light.

Gently remove the base from the alabaster shade.



MAINTENANCE

Cleaning

Dust using a dry lint-free cloth weekly or as required

Repairs

Contact
CTO Lighting

Warranty

Please visit
[www.ctolighting.co.uk/
pages/f-a-q](http://www.ctolighting.co.uk/pages/f-a-q)
for CTO warranty policy

Certification



E492309